



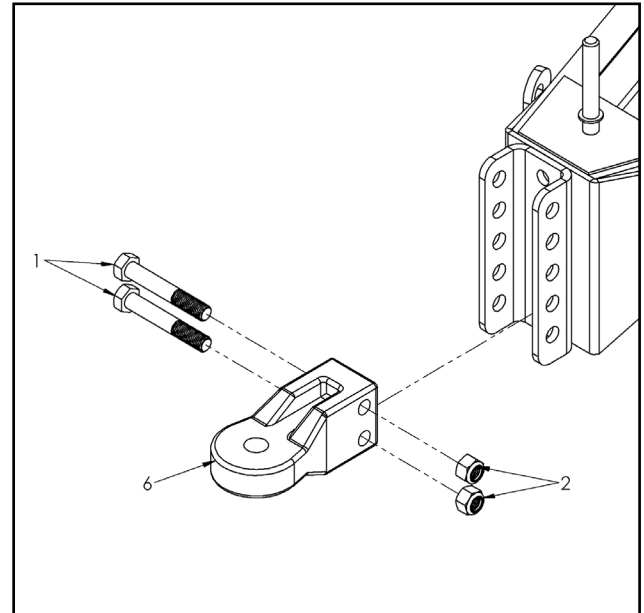
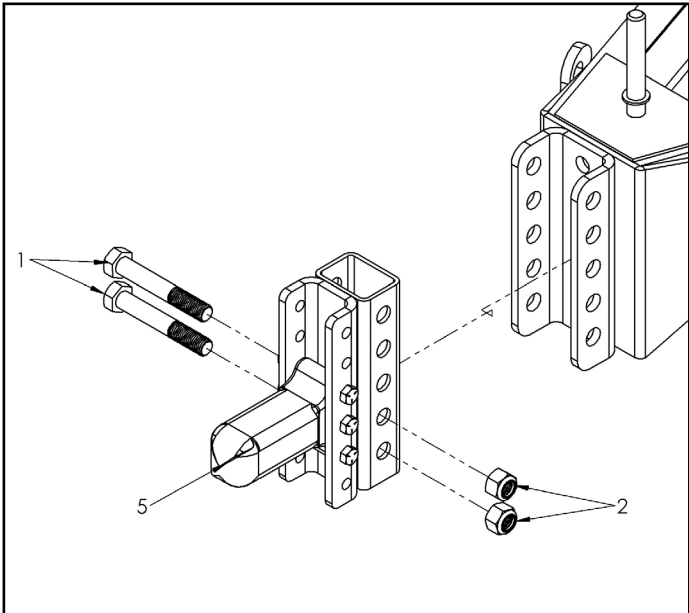
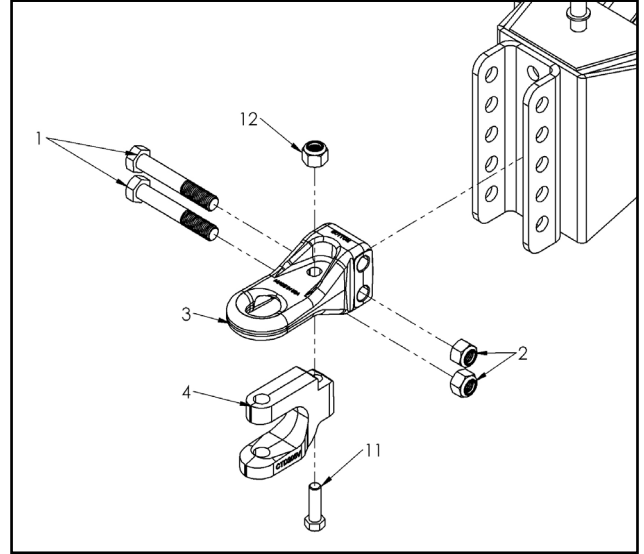
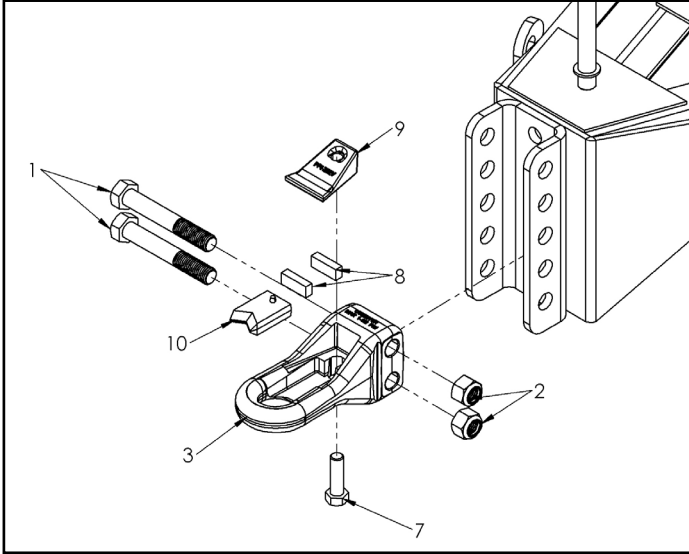
V12 Orchard Spreader

Serial Numbers 100038+ And Higher

Illustrated Parts Breakdown

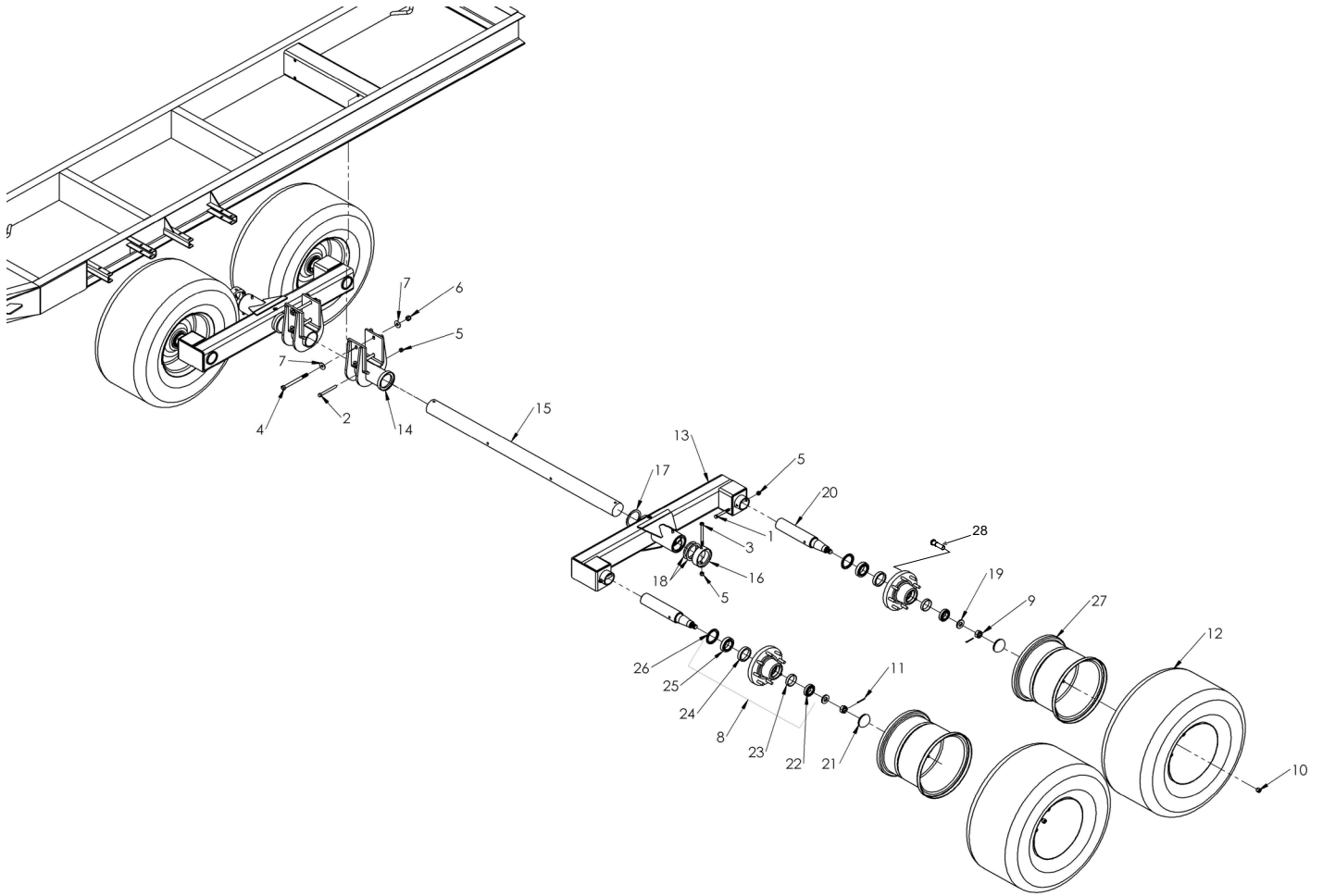
- Page 1 Hitch Assembly Options**
- Page 2 Axle Assembly**
- Page 3 Floor & Apron**
- Page 4 Pump Assembly**
- Page 5 Manifold Components**
- Page 6 Gearbox Components**
- Page 7 Manifold Cover**
- Page 8 Rear Gate**
- Page 9 Spinner Assembly**
- Page 10 Dual Conveyer Assembly**
- Page 11 Dual Conveyer Assembly**
- Page 12 Single Conveyer Option**
- Page 13 Single Conveyer Option**
- Page 14 Deflector Option**
- Page 15 Deflector Option (Tall)**
- Page 16 Flicker Option**
- Page 17 Switchbox**
- Page 18 Oil Cooler Option**
- Page 19 Light Package Option**

Hitch Assembly Options



Ref#	Description	Part#	Qty
1	Hex Head Bolt G8, 1-8 x 6-1/2"	000791	2
2	Nylon Lock Nut, 1-8	001012	2
3	Pintle Hitch, Perfect Hitch Opt.	896285	1
4	Clevis Hitch Attachment	896309	1
5	Hitch Coupler Adaptor (Kit)	896336	1
6	Bull Pull Swivel Hitch	896215	1
7	Grade 5 Bolt, CTD	896429	1
8	Neoprene Cushion	896427	2
9	Top Plate	896426	1
10	V-Block	896428	1
11	Grade 8 Bolt, CTD	896430	1
12	Hex Nut, CTD	896431	1

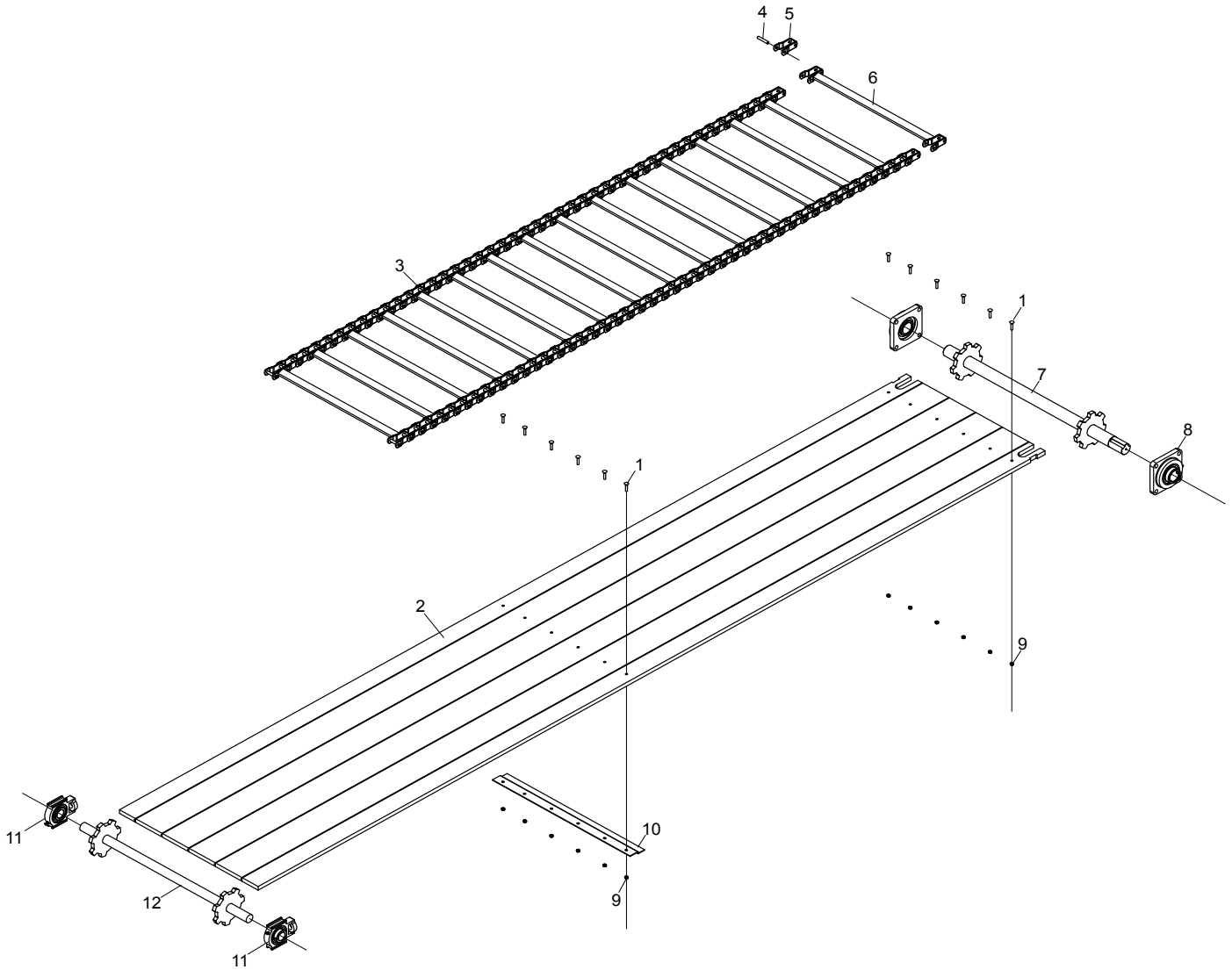
Axle Assembly



Ref#	Description	Part#	Qty
1	1/2-13 x 4 HH Bolt	000490	4
2	1/2-13 x 5 HH Bolt	000510	2
3	1/2-13 x 6 HH Bolt	000550	2
4	5/8-11 x 7-1/2 HH Bolt	000662	4
5	1/2-13 Nylon Lock Nut	000950	8
6	5/8-11 Nylon Lock Nut	000972	4
7	5/8 Flat Washer	001075	8
8	Hub Assembly, G60-8	300242	4
9	1-14 Castle Hex Nut	300275	4
10	5/8 Lug Nut	300278	32
11	Cotter Pin, 5/32 x 1-3/4	300282	4
12	Tire, 18L x 16.1 Implement Tire	800513	2
13	Walking Beam	890549	2

Ref#	Description	Part#	Qty
14	Axle Mount Weldment	890555	2
15	Axle, Solid Round	890560	1
16	End Cap	890561	2
17	Spacer	890572	2
18	Spacer, Axle	890573	4
19	Hub Washer	890585	4
20	Spindle, G60-8 Hub	890588	4
21	Hub Cap	300393	4
22	Outer Bearing	300397	4
23	Outer Race	300395	4
24	Inner Race	300396	4
25	Inner Bearing	300398	4
26	Grease Seal	890587	4
27	Wheel, 16.1 x 14, 8 Bolt	830235	4
28	5/8-18 Stud Bolt, - Press In	300250	32

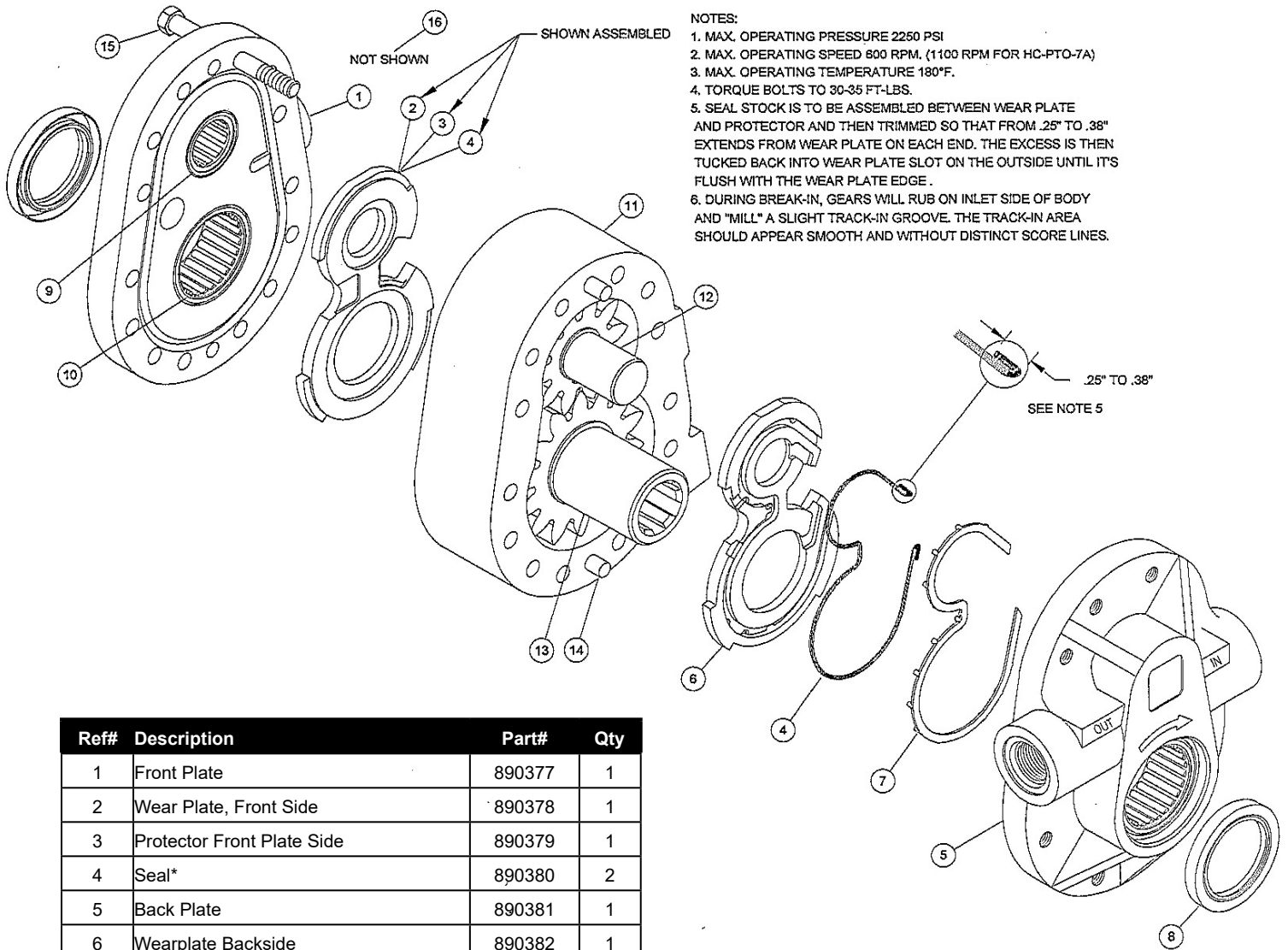
Floor & Apron



Ref#	Description	Part#	Qty
1	Carriage Bolt, 5/16 x 1-1/2	000126	18
2	Floor Board **	890198	6
3	Web Chain w/ Slats (10' Section)	830555-WD	3.3
4	Connector Pin	830328	N/A
5	Connector Link w/ Pin	830326	N/A
6	Slat Assembly	890375	N/A
7	Rear Drive Shaft Weldment	830528	1
8	Flange Bearing	801100	2
9	Nut, 5/16	000910	18
10	Floor Hold Plate	830557	3
11	Take-up Bearing	801099	2
12	Front Drive Shaft Weldment	830675	1

** Left & Right floor boards must be cut to correct width

Pump Assembly



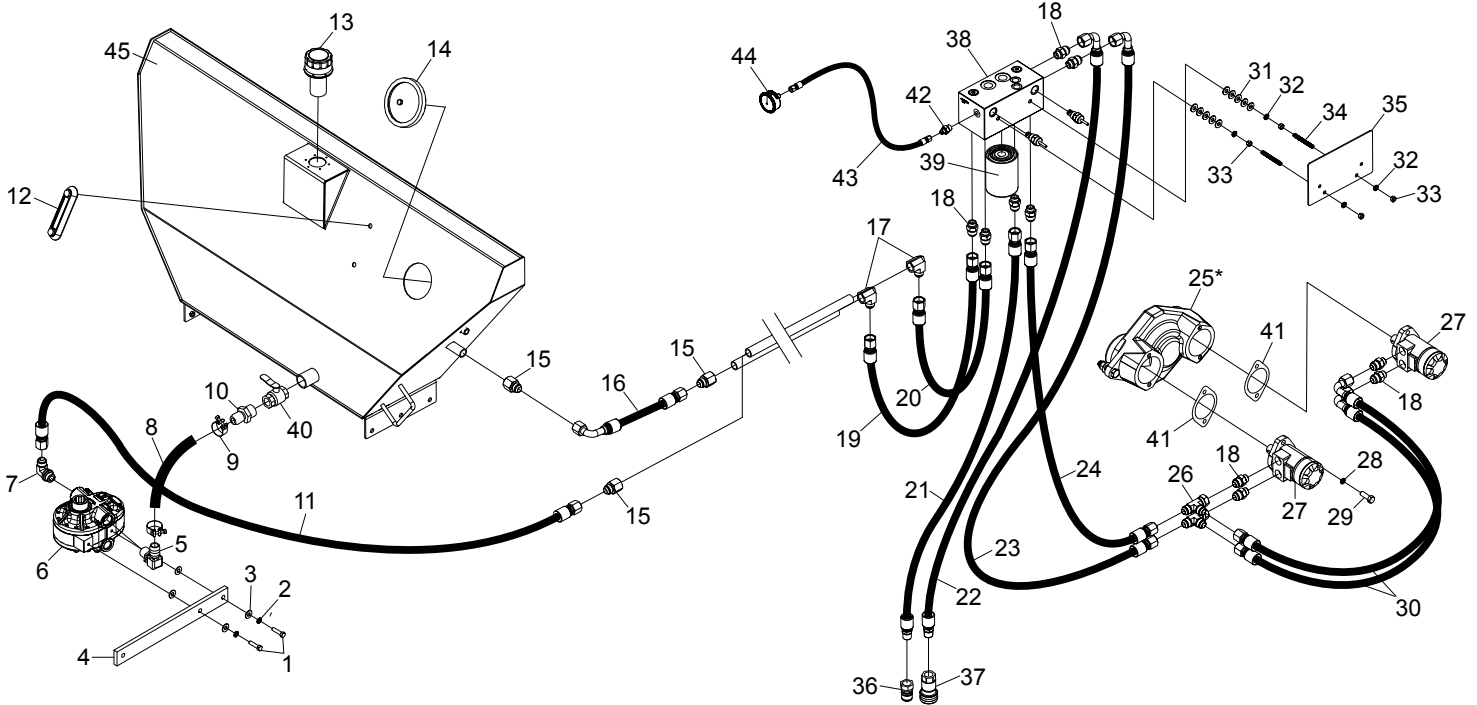
NOTES:

1. MAX. OPERATING PRESSURE 2250 PSI
2. MAX. OPERATING SPEED 600 RPM. (1100 RPM FOR HC-PTO-7A)
3. MAX. OPERATING TEMPERATURE 180°F.
4. TORQUE BOLTS TO 30-35 FT-LBS.
5. SEAL STOCK IS TO BE ASSEMBLED BETWEEN WEAR PLATE AND PROTECTOR AND THEN TRIMMED SO THAT FROM .25" TO .38" EXTENDS FROM WEAR PLATE ON EACH END. THE EXCESS IS THEN TUCKED BACK INTO WEAR PLATE SLOT ON THE OUTSIDE UNTIL IT'S FLUSH WITH THE WEAR PLATE EDGE.
6. DURING BREAK-IN, GEARS WILL RUB ON INLET SIDE OF BODY AND "MILL" A SLIGHT TRACK-IN GROOVE. THE TRACK-IN AREA SHOULD APPEAR SMOOTH AND WITHOUT DISTINCT SCORE LINES.

Ref#	Description	Part#	Qty
1	Front Plate	890377	1
2	Wear Plate, Front Side	890378	1
3	Protector Front Plate Side	890379	1
4	Seal*	890380	2
5	Back Plate	890381	1
6	Wearplate Backside	890382	1
7	Protector Back Plate Side*	890383	1
8	Shaft Seal*	890384	2
9	Idler Shaft Bearing	890385	2
10	Drive Shaft Bearing	890386	2
11	Body HC-PTO-2A	890387	1
12	Gear Assembly	890388	1
13	Drive Gear Assembly	890389	1
14	Dowel Pin	890390	2
15	Cap Screw	890391	12
16	Seal Kit	890392	1

Note: All items with * are included in Seal Kit.

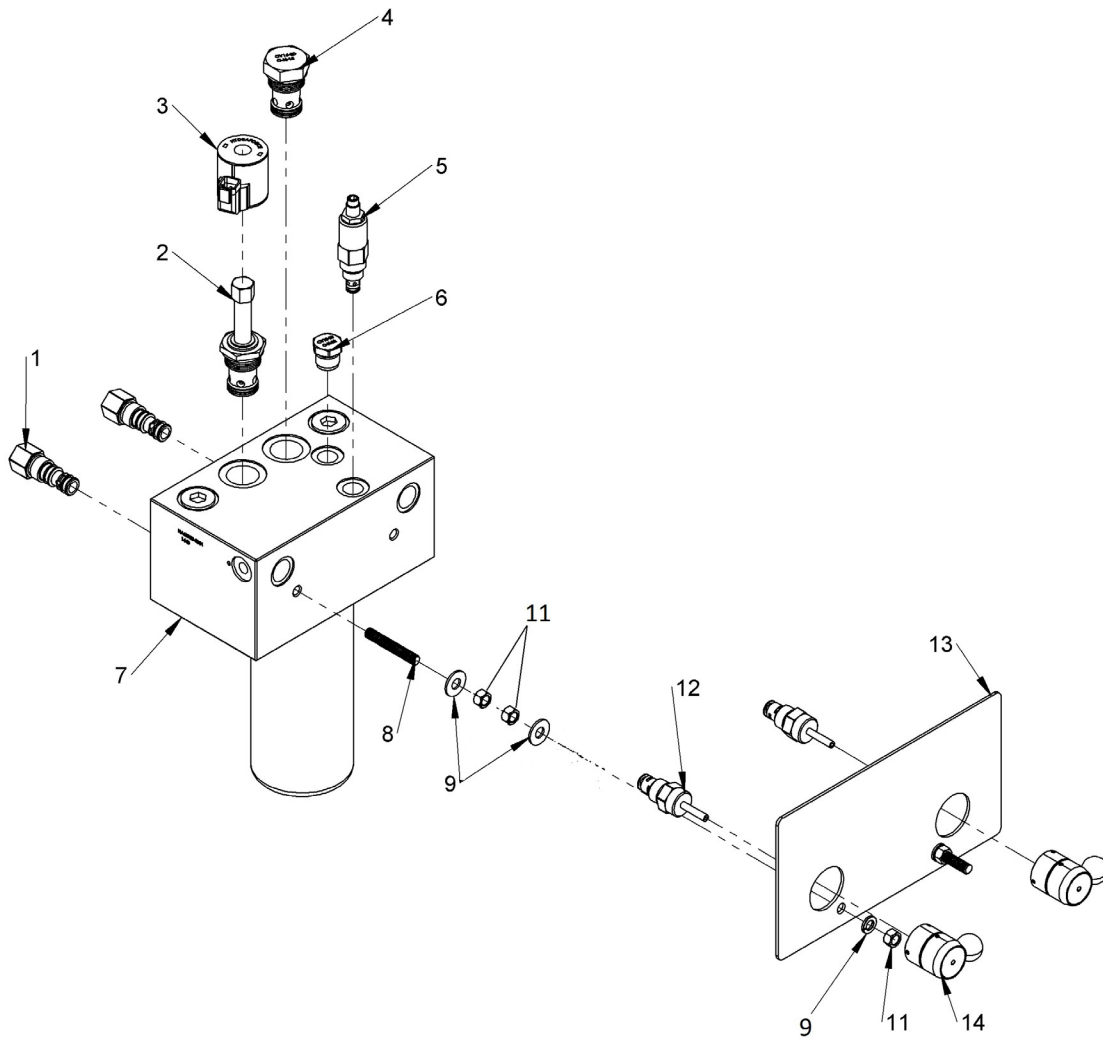
Hydraulics



Ref#	Description	Part#
1	3/8" x 1-1/2" Hex Head Bolt	000280
2	3/8" Split Lock Washer	000820
3	3/8" Flat Washer	001035
4	Pump Holder	801052
5	90 Degree Elbow (20HB x 16MB)	290080
6	PTO Pump	890178
7	90 Degree Elbow (12MJ x 12MB)	290022
8	72" Suction Hose	830689
9	1-1/2" SV Hose Clamp	290169
10	Straight Fitting (20HB x 20MP)	290187
11	111" Hose Assembly (12FJX x 12FJX)	830688
12	Hydraulic Tank Sight Gauge	290054
13	4" Tank Filler Breather Cap	290142
14	6" Tank Door	290044
15	Straight Fitting (12MJ x 12FP)	290019
16	27" Hose Assembly	830336
17	90 Degree Elbow (12MJ x 12FP)	290093
18	Straight Fitting (12MJ x 10MB)	290001
19	22" Hose Assembly (12FJX - 12FJX)	830681
20	25" Hose Assembly (12FJX - 12FJX)	830682
21	12" Hose Assembly (12FJX x 12MP)	830683
22	19" Hose Assembly (12FJX90S x 12MP)	830684

Ref#	Description	Part#
23	24" Hose Assembly (12FJX90S - 12FJX)	830686
24	21" Hose Assembly (12FJX - 12FJX)	830685
25	6:1 Double Drive Gearbox	801418
26	T-Fitting (12MJ x 12FJX x 12MJ)	290034
27	Drive Motor	830171
28	1/2" Lock Washer	000840
29	1/2" x 1-1/2" Hex Head Bolt	000435
30	23" Hose Assembly (12FJX90 x 12FJX)	890333
31	3/8" Flat Washer	001035
32	3/8" Lock Washer	000820
33	3/8" Hex Nut	000915
34	3/8" x 3-1/4" Threaded Rod	902245
35	Manifold Face Plate	890451
36	3/4" Male Ag Coupling	290040
37	3/4" Female Ag Coupling	290041
38	Manifold	890940
39	Oil Filter	890962
40	Ball Valve	830355
41	2 Bolt Flange Gasket	830251
42	Straight Fitting, - #4 MJ x #6 MB	700908
43	12" Hose Assembly (4FJX x 4FJX)	830812
44	SPG Pressure Gauge	290293
45	Oil Tank	890410

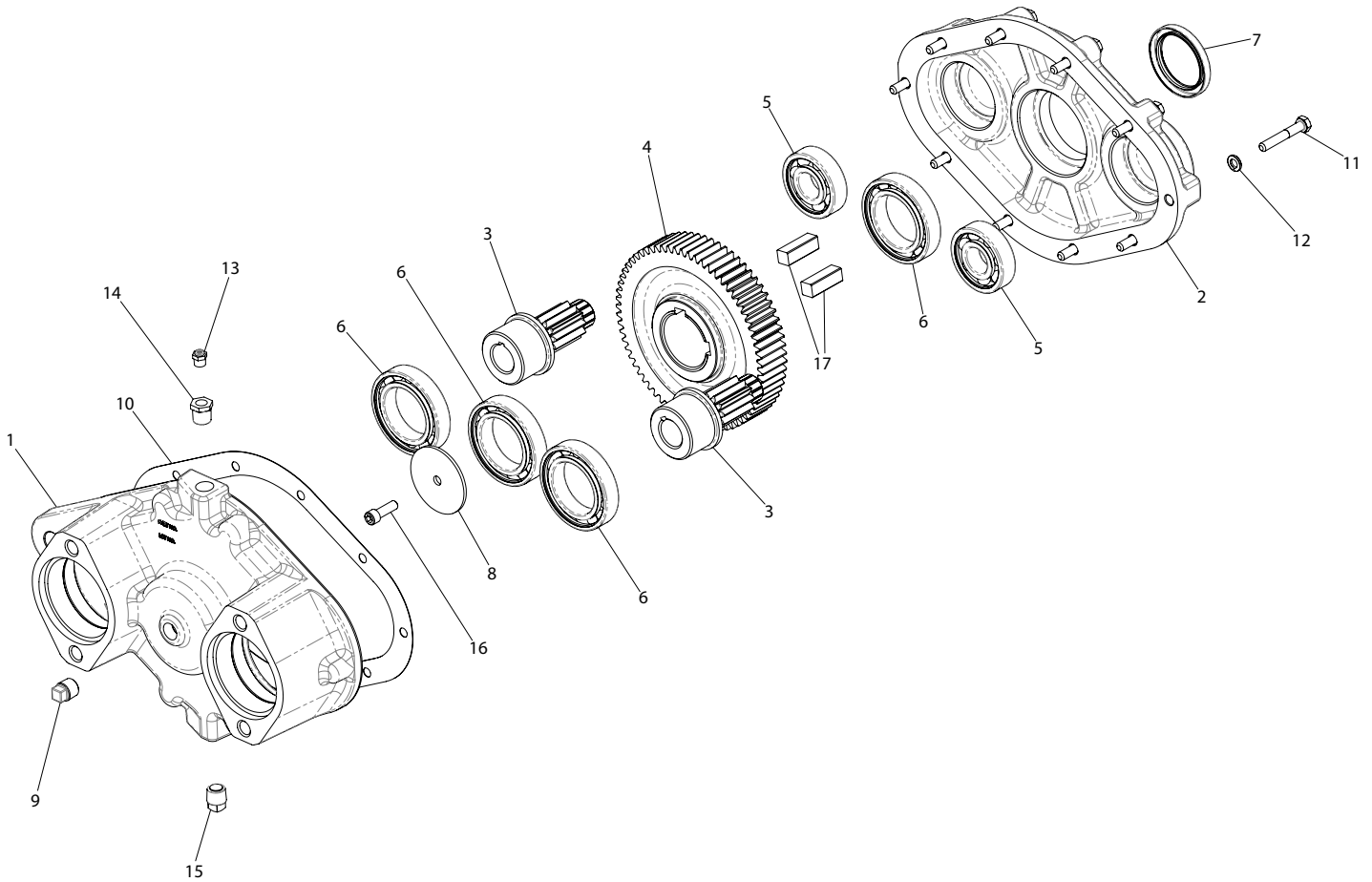
Manifold Components



Ref#	Description	Part#
1	EP10-S35 40 Directional Valve	806140
2	SV16-21 2 Way N/O Poppet Valve	830320
3	Solenoid Valve Coil (4303712)	830325
4	CV16-20-0-N-15 Check Valve	830801
5	Relief Valve	830535
6	CV10-20-0-N-02 Check Valve	830802
7	Hydraulic Manifold with all valves included	890940

Ref#	Description	Part#
8	3/8" x 2-1/2" Threaded Rod	890951
9	3/8" Flat Washer	001035
10	3/8" Lock Washer	000820
11	3/8" Hex Nut	000915
12	MR10-20A Flow Control Valve	806136
13	Manifold Face Plate	896418
14	Control Knob, Detent	896413

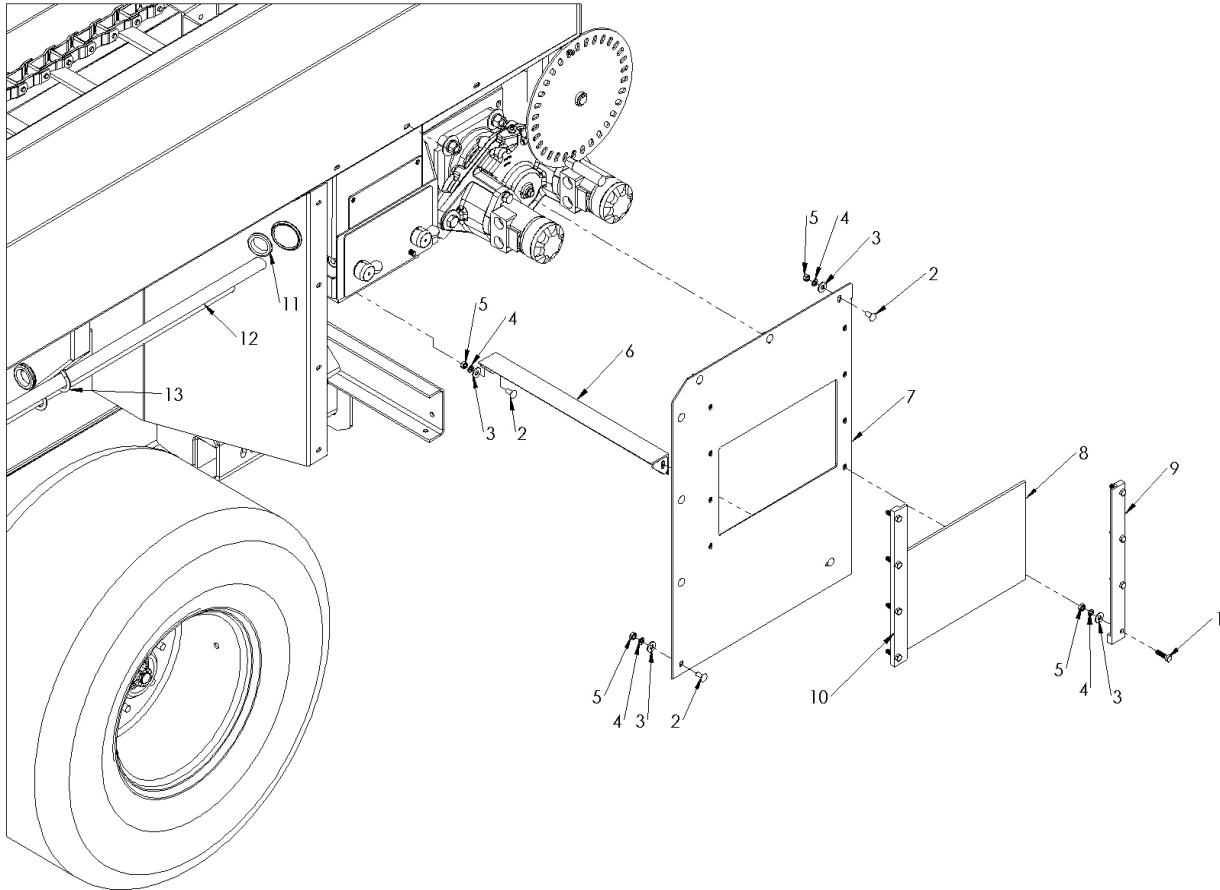
Gearbox Components



Ref#	Description	Part#
1	Outer Housing	801435
2	Inner Housing	801436
3	11 Tooth Spur Gear	801422
4	67 Tooth Spur Gear	801423
5	6305 C3 Ball Bearing	801424
6	6010 C3 Ball Bearing	801425
7	1.969-2.627-.312	801437
8	2.50 x .34 x .120 Washer	801427
9	3/8" NPT Square Head Plug w/ 3M	801428

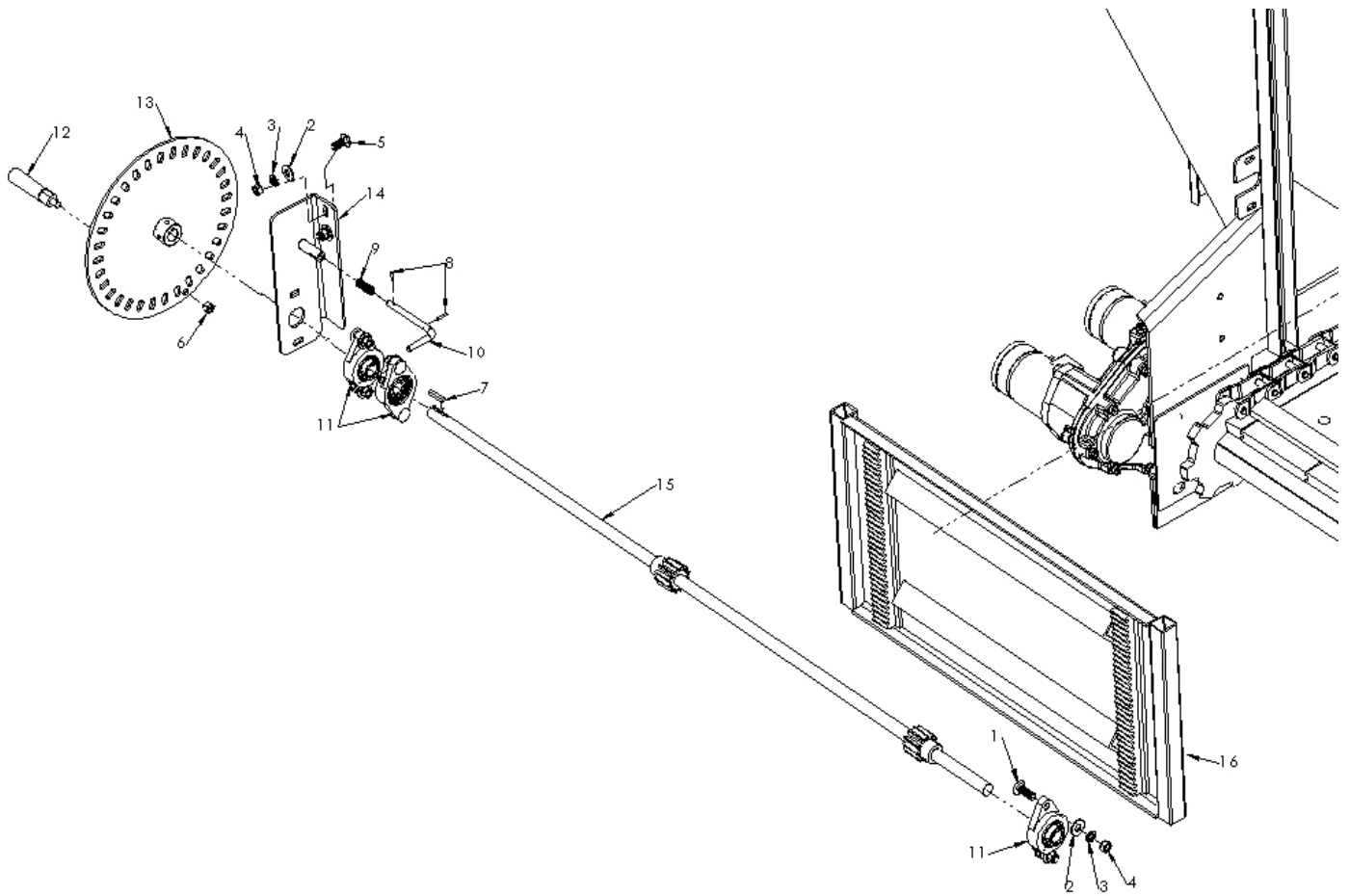
Ref#	Description	Part#
10	IP39 Gasket	801438
11	5/16" x 2" Hex Head Bolt, Gr. 8	000122
12	5/16" Lock Washer	000810
13	1/8" NPT Vent Plug, 5 PSI	801430
14	3/8" NPT x 1/8" NPT Bushing	801431
15	3/8" NPT MAG Square Head Plug	801432
16	5/16" x 1" Gr. 8 Bolt	401434
17	1/2" x 1/2" x 1-1/2" Key	801439
18	Complete Gearbox	801418

Manifold Cover



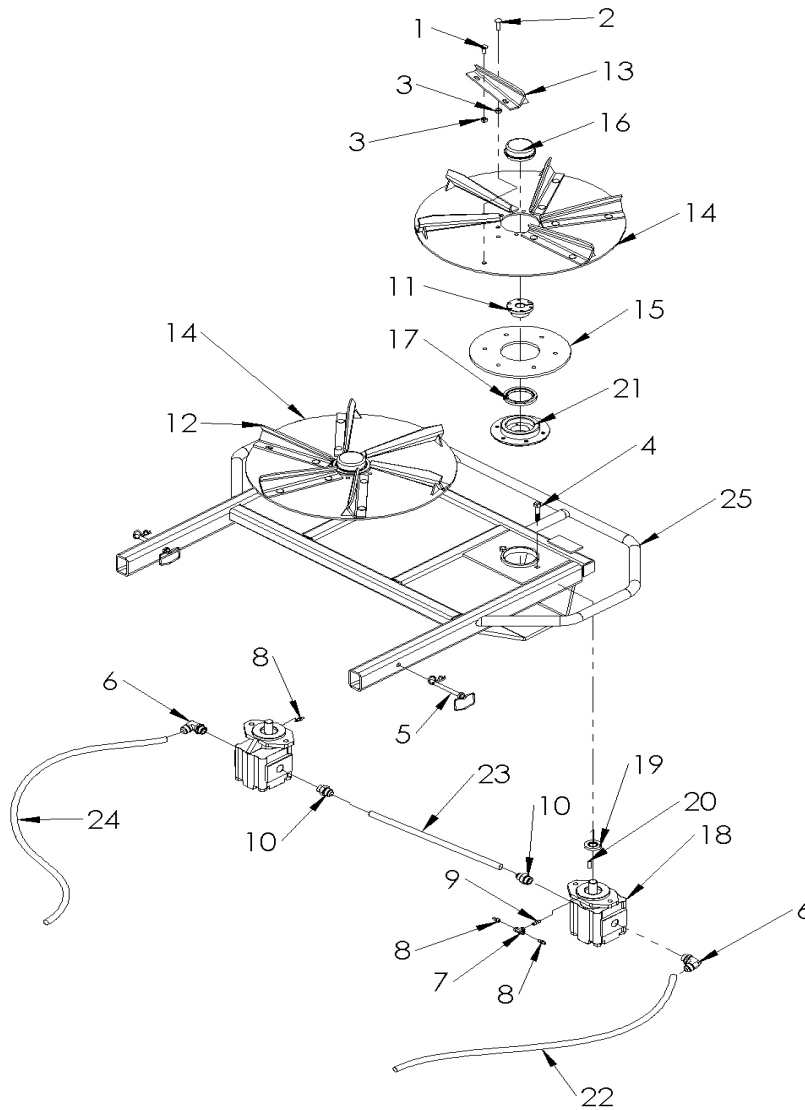
Ref#	Description	Part#	Qty
1	5/16-18 x 1-1/4 Hex Head Bolt	000230	8
2	5/16-18 x 3/4 Carriage Bolt	000121	9
3	5/16 USS Flat Washer	001030	17
4	5/16 Lock Washer	000810	17
5	5/16-18 Hex Nut	000910	17
6	Angle, Panel Brace	890530	1
7	Manifold Cover Plate	890545	1
8	Flow Control Cover	890200	1
9	Manifold Window Slide, Right	890456	1
10	Manifold Window Slide, Left	890455	1
11	Grommet, 1-1/2" ID, 1/8" Groove	403796	1
12	LPV12 Hydraulic Line	890154	2
13	U-Bolt, 5/16-18 x 1 x 1" Dia	001077	8

Rear Gate



Ref#	Description	Part#	Qty
1	3/8-16 x 1-1/4 Carriage Bolt	000150	6
2	3/8 USS Flat Washer	001035	8
3	3/8 Lock Washer	000820	8
4	3/8-16 Hex Nut	000915	8
5	3/8-16 x 1 Carriage Bolt	000125	2
6	3/8-16 Nylon Lock Nut	003000	1
7	Key, 3/16 x 1-1/4	401264	1
8	1/8 x 3/4 Roll Pin Stainless Steel	000561	2
9	Latch Pin	806052	1
10	Endgate Latch Spring	806166	1
11	Bearing, 3/4" Dia, 2 Hole Flange	806108	3
12	Swivel Handle	890193	1
13	Endgate Wheel Weldment	806131	1
14	Endgate Wheel Lock Bracket, Bolt-On	890613	1
15	Endgate Shaft Weldment	890522	1
16	Endgate Weldment, V12	890504	1

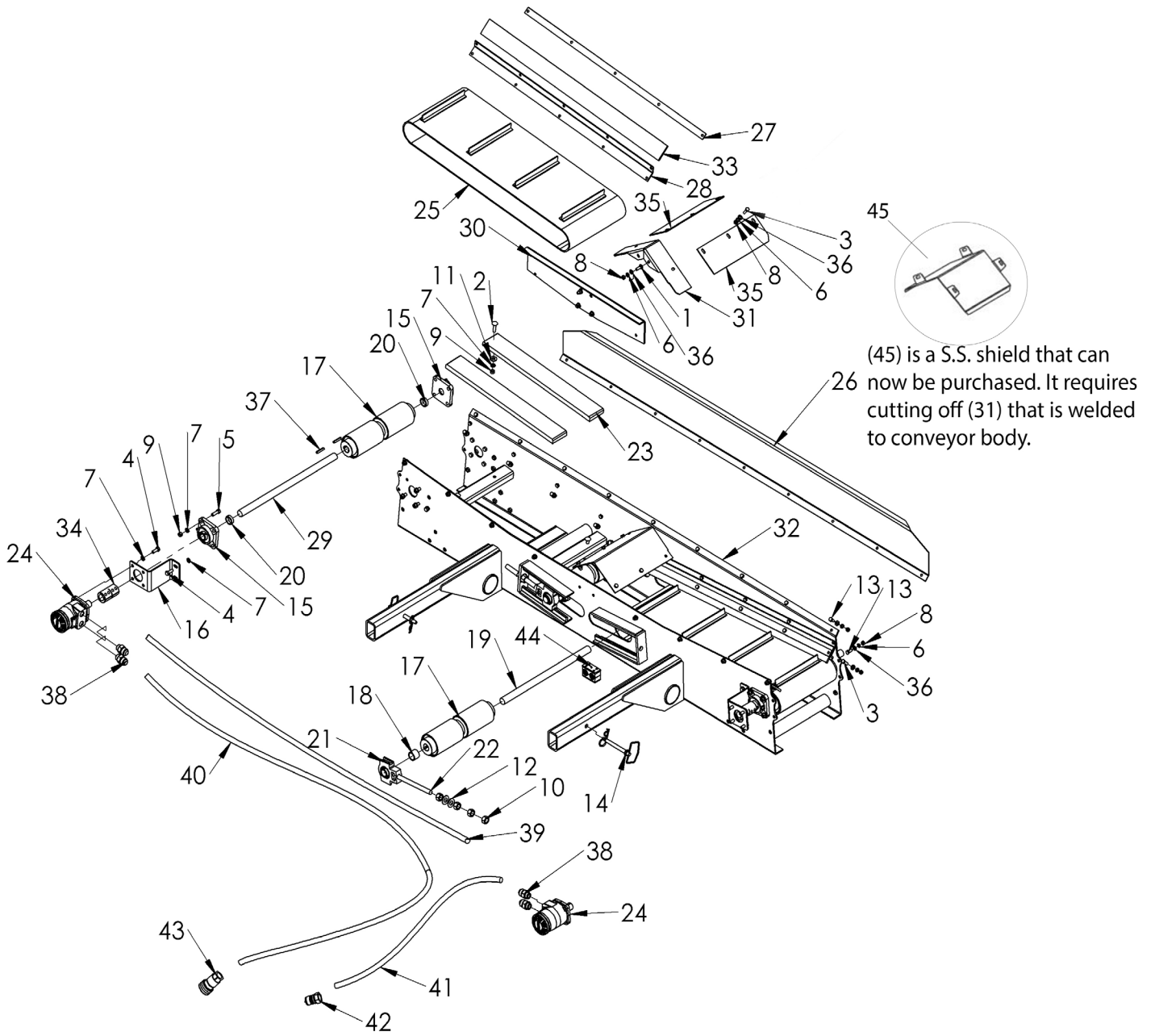
Spinner Assembly



Ref#	Description	Part#	Qty
1	7/16 x 1 Carriage Bolt	000356	12
2	7/16 x 1-1/4 Carriage Bolt	000359	12
3	7/16-14 Stover Nut	000387	25
4	1/2-13 x 2-1/2 Hex Head Bolt	000460	4
5	Hitch Pin	100292	2
6	Hyd Fitting, 90° Elbow 12MJ x 12MB	290022	2
7	Hyd T-Fitting, 1/4 FP	290033	1
8	Push Lock, 1/4 NPT male	290036	3
9	1/4" x 1-1/2" Brass Nipple	290039	1
10	Hyd Fitting, Striaight 12MJ x 12MB	290065	2
11	1" SDS Tapered Bushing	505420	2
12	Right Spinner Paddle Weldment	830265	6
13	Left Paddle Weldment	830267	6

Ref#	Description	Part#	Qty
14	25" Bolt On Spinner Disc	830309	2
15	Taper Lock Spinner Hub	830313	2
16	3.35 Ag Hub Cap	830314	2
17	Spinner Pilot Seal	830317	2
18	Permco M2100 Double Pump, 1" Dia Shaft	830318	2
19	Metric Seal, 25 x 52 x 7 mm	830389	2
20	Key, 1/4 x 3/8 x 1-1/2	830390	2
21	Tapered Spinner Hub	830629	1
22	32" Hose	890362	1
23	15" Hose	890363	1
24	56' Hose	890364	1
25	Spinner Frame Weldment	890527	1

Dual Conveyor Assembly

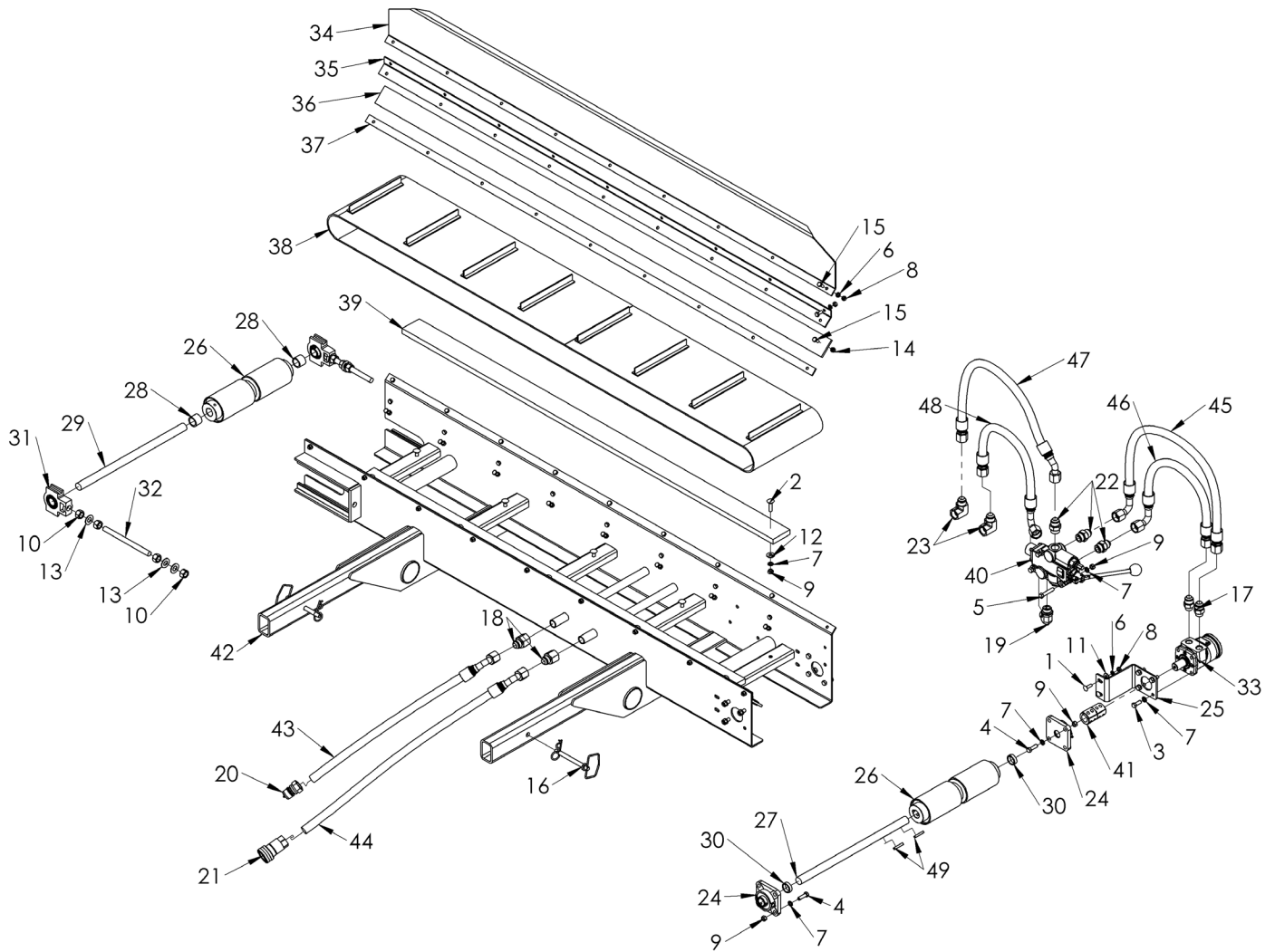


Dual Conveyor Assembly

Ref#	Description	Part#	Qty
1	5-16-18 x 1 Carriage Bolt	000124	2
2	3/8-16-2-1/2 Carriage Bolt	000151	8
3	5/16 x Hex Head Bolt	000221	30
4	3/8-16 x 1 Hex Head Bolt	000270	12
5	3/8-16 x 1-1/4 Hex Head Bolt	000275	16
6	5/16 Lock Washer	000810	58
7	3/8 Lock Washer	000820	36
8	5/16 - 18Hex Nut	000910	58
9	3/8-16 Hex Nut	000915	24
10	5/8-11 Hex Nut	000970	16
11	3/8 USS Flat Washer	001035	8
12	5/8 SAE Standard Flat Washer	001076	8
13	5/16 x 3/4 Hex Head Bolt	010005	26
14	Hitch Pin	100292	2
15	1" Dia. 4 Bolt Flange Bearing	700053	4
16	Motor Bracket, Conveyor	800244	2
17	Conveyor Pulley	800520	4
18	Conveyor Puller Spacer	800563	4
19	Side Conveyor Idler Shaft	800578	2
20	Conveyor Pulley Spacer	800994	4
21	1" Takeup Bearing	806106	4
22	5/8-11 All-Thread	806139	4

Ref#	Description	Part#	Qty
23	Poly Board	890163	4
24	101-1011 Motor	890164	2
25	12" x 75" Cleated Belt	890167	2
26	Cross Conveyor Extension Side	890172	1
27	Hold Down Strip	890174	4
28	Skirtboard Strip	890175	4
29	LPV12 Conveyor Shaft	890277	2
30	Cross Conveyor Baffle, Front	890500	1
31	Cross Conveyor Divider Extension	890501	2
32	Cross Conveyor Weldment, 2x3 Mount	890541	1
33	Skirtboard Polyurethane	890166	4
34	1" Shaft Coupler, Split	890586	2
35	Dual Conveyor Flow Divider Extension	890961	2
36	5/16 Flat Washer	001030	58
37	Key, .25 x 1.5	902017	4
38	12MJ x 10MB Straight Fitting	290001	4
39	72", #12 Hose (12G-12FJX x 12G-12FJX)	890292	1
40	84", #12 Hose (12G-12FJX x 12G-12MP)	890291	1
41	20", #12 Hose (12G-12FJX90 x 12G-12MP)	890293	1
42	3/4 Male Coupling	290040	1
43	3/4 Female Coupling	290041	1
44	3/4" Hose Clamp	890402	1
45	Conveyor Flow Divider	890566	1

Single Conveyor Option

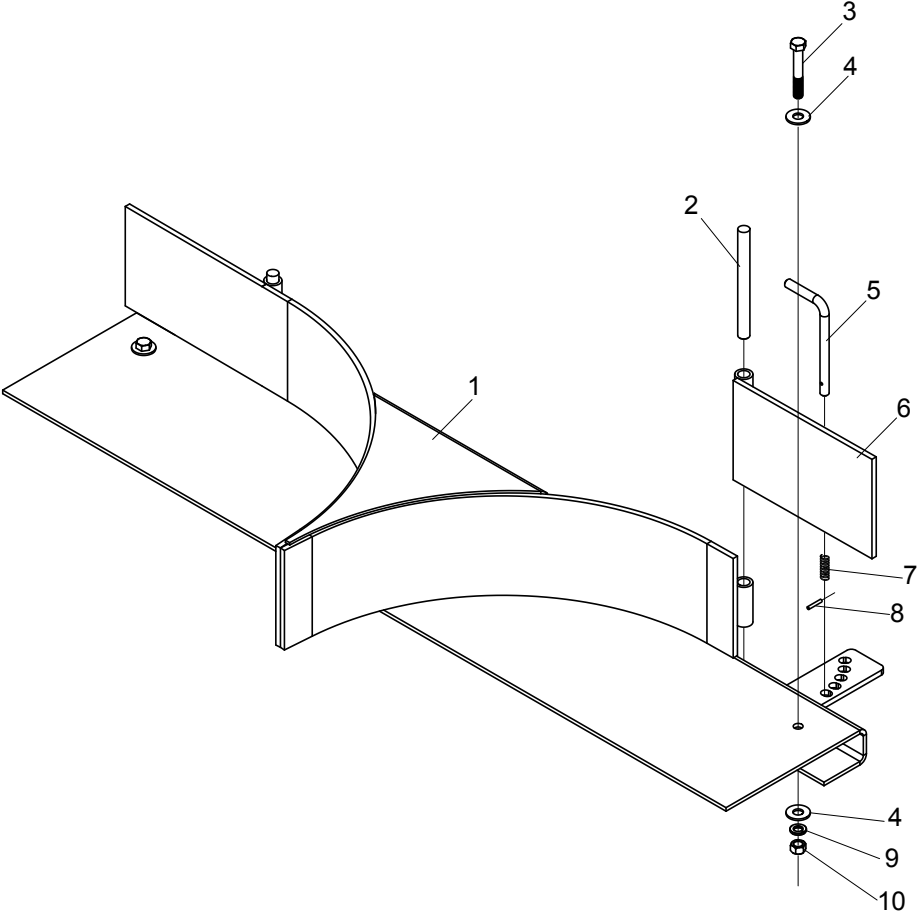


Single Conveyor Option

Ref#	Description	Part#	Qty
1	5/16" - 18 x 1" Carriage Bolt	000124	2
2	3/8-16 x 2-1/2 Carriage Bolt	000151	10
3	3/8-16 x 1.000 HH Bolt Zinc	000270	4
4	3/8-16 x 1.25 HH Bolt Zinc	000275	8
5	3/8-16 x 2 HH Bolt Zinc	000286	3
6	5/16 Lock Washer	000810	29
7	3/8 Split Lock Washer	000820	25
8	5/16-18 HH Nut Zinc	000910	29
9	3/8-16 Hex Nut zinc	000915	21
10	5/8-11 Hex Nut Zinc	000970	8
11	5/16 USS Flat Washer	001030	2
12	3/8 USS Flat Washer	001035	10
13	SAE Standard Washer	001076	6
14	5/16-18 Nylon Lock Nut	002999	18
15	5/16 x 3/4 HH Bolt, Plated	010005	45
16	Hitch Pin	100292	2
17	12MJ X 10MB Straight Fitting	290001	2
18	3/4" Female Ag Coupling	290019	2
19	12/12/6801	290022	1
20	3/4 Male Coupling	290040	1
21	3/4 Female Coupling	290041	1
22	12/12/6400	290065	3
23	90 Degree Elbow, - #12 MJ X #12 FP	290093	2
24	4 Bolt Flange Bearing, 1.0	700053	2
25	Motor Bracket, Conveyor	800244	1

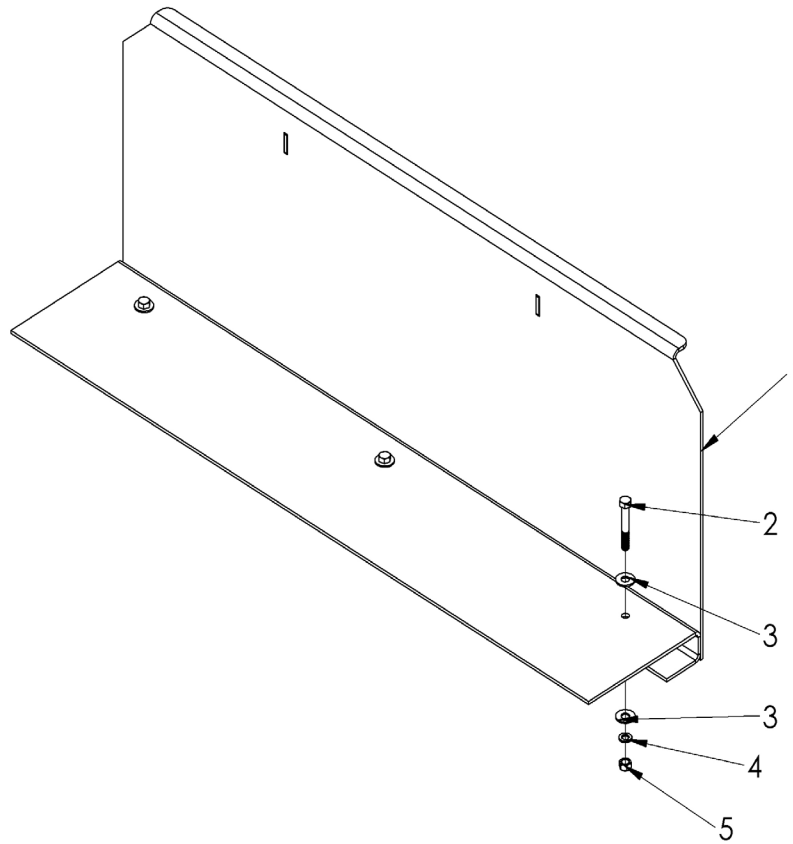
Ref#	Description	Part#	Qty
26	Conveyor Pulley	800520	2
27	Side Conveyor Drive Shaft	800542	1
28	Conveyor Pulley Spacer	800563	2
29	Side Conveyor Idler Shaft	800578	1
30	Conveyor Pulley Spacer	800994	2
31	1 Inch Take Up Bearing	806106	2
32	5/8-11 All Thread	806139	2
33	101-1011 Motor	890164	1
34	Cross Conveyor Extension Side	890172	1
35	Skirtboard strip	890396	2
36	Skirtboard polyurethane	890398	2
37	Holddown Strip	890399	2
38	12" X 154" Cleated Belt	890400	1
39	Poly Board	890401	2
40	Motor Spool Valve	890403	1
41	1" Shaft Coupling, Split	890586	1
42	Cross Conveyor Weldment	890591	1
43	41" HOSE (12FJX45 x 12MP)	890943	1
44	26" HOSE (12FJX45 x 12MP)	890944	1
45	29" HOSE (12FJS x 12FJX90S)	890945	1
46	21" HOSE (12FJS x 12FJX90S)	890946	1
47	29" HOSE (12FJX45 x 12FJX)	890947	1
48	27" HOSE (12FJX90 x 12FJX)	890948	1
49	.25 x 1.5 Key	902017	2

Deflector Option



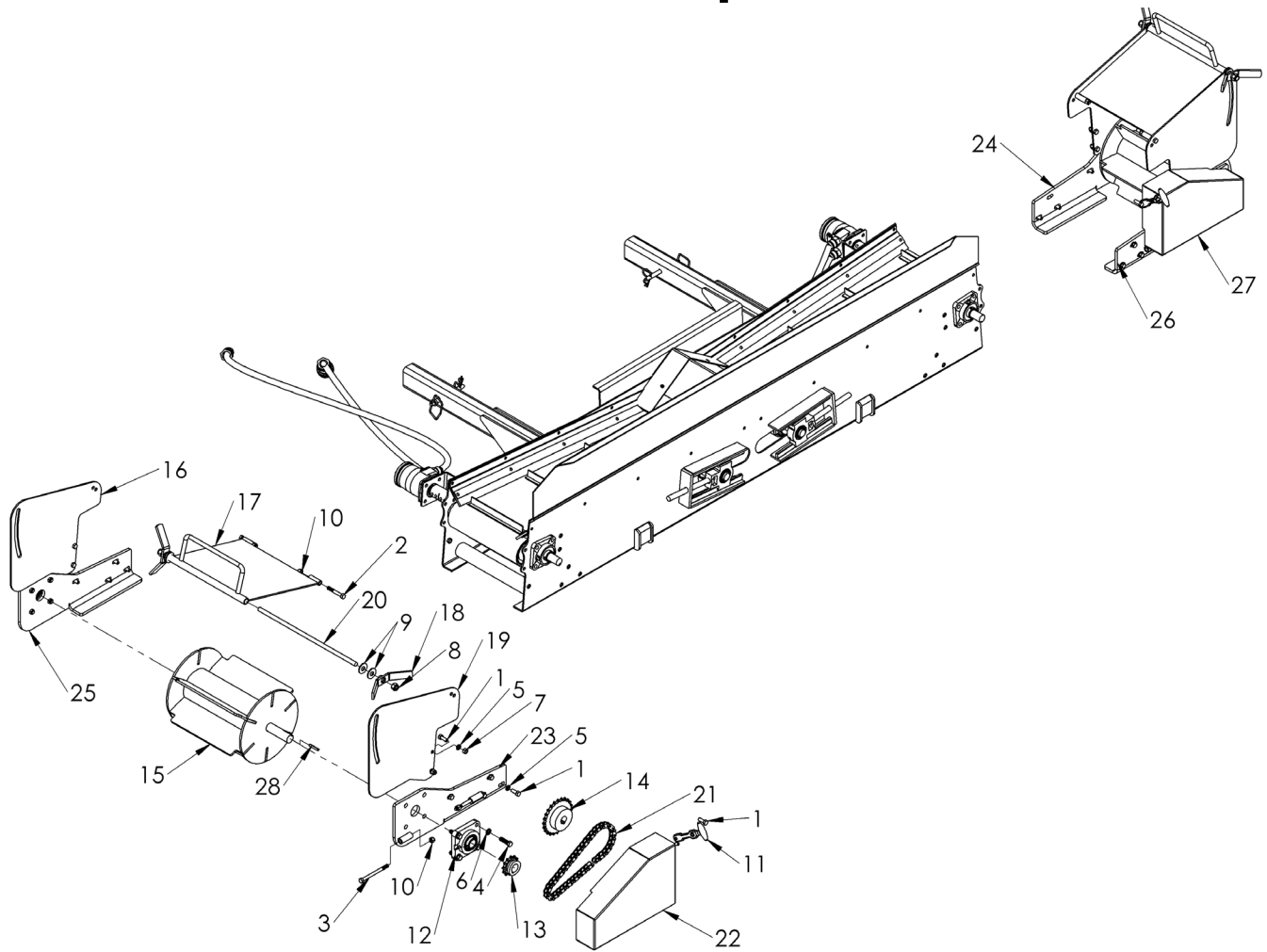
Ref#	Description	Part#	Qty
1	Deflector Frame	890179	1
2	Hinge Pin	801063	2
3	Bolt, 3/8 x 2-1/2	000300	3
4	Flat Washer, 3/8	001035	6
5	Latch Pin	806052	2
6	Flow Deflector, Left	890181	1
	Flow Deflector, Right	890180	1
7	Spring	806166	2
8	Roll Pin	000561	2
9	Lockwasher, 3/8	000820	3
10	Nut, 3/8	000915	3

Deflector Option (Tall)



Ref#	Description	Part#	Qty
1	Spinner Deflector Weldment, 16" Tall	890535	1
2	3/8-16 x 2-1/2 Hex Head Bolt	000300	3
3	3/8 USS Flat Washer	001035	6
4	3/8 Lock Washer	000820	3
5	3/8-16 Hex Nut	000915	3

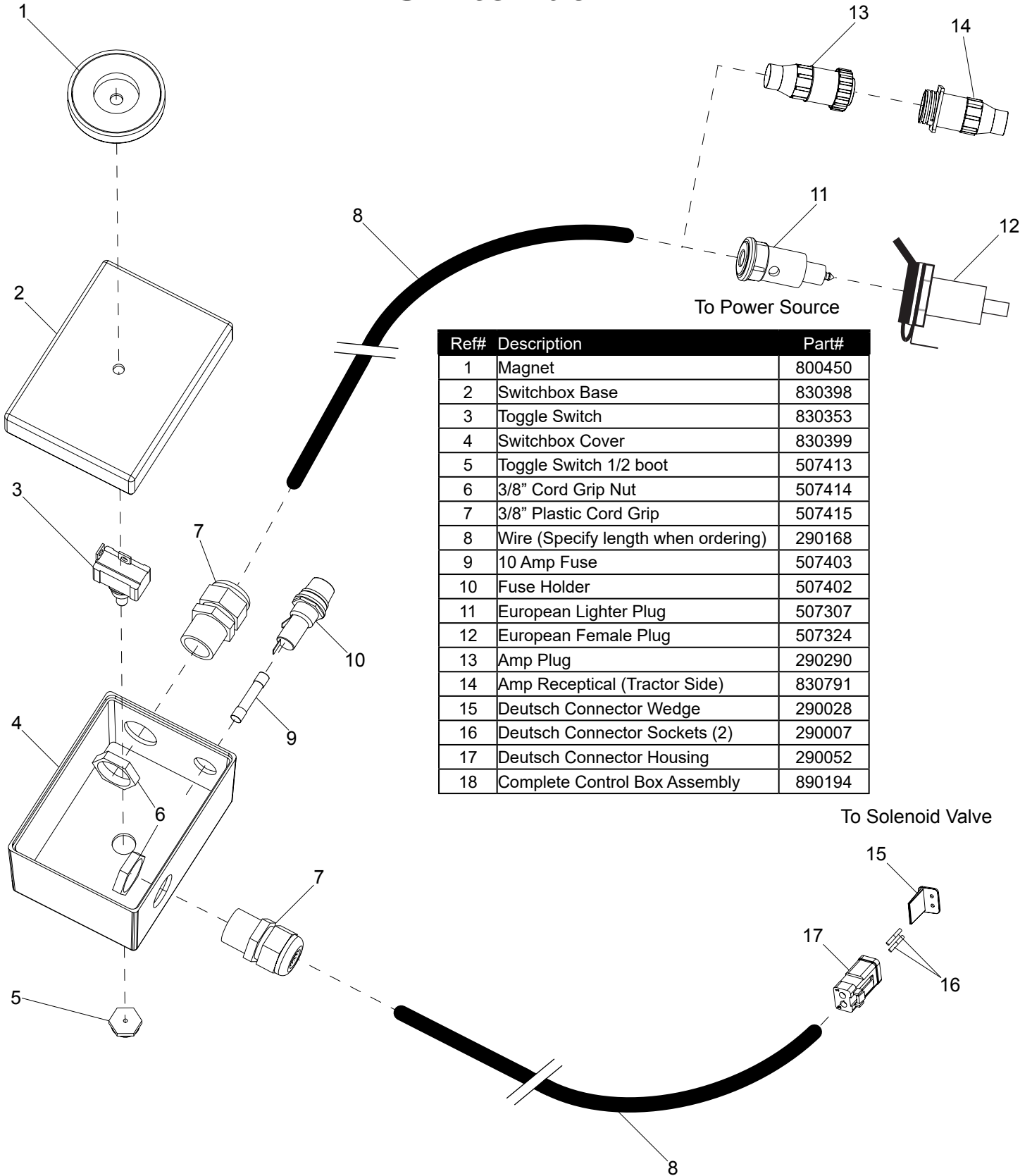
Flicker Option



Ref#	Description	Part#	Qty
1	3/8-16 x 1.000 HH Bolt Zinc	270	24
2	3/8 x 2 1/2 Hex Head Bolt	300	4
3	3/8-16 x 4-1/2 Hex Head Bolt	325	2
4	7/16-14 x 1-1/2 HH Bolt,	360	16
5	3/8 Split Lock Washer	820	22
6	7/16 Split Lock Washer	830	16
7	3/8-16 Hex Nut zinc	915	8
8	1/2-13 Nylon Lock Nut	950	4
9	1/2 USS Flat Washer, Plated	1055	8
10	3/8-16 Nylon Lock Nut	3000	6
11	Rubber Handle	400092	2
12	1-1/8" 4 Hole Flange Bearing	400104	4
13	FLICKER DRIVE SPROCKET	830665	2
14	FLICKER SPROCKET	830666	2

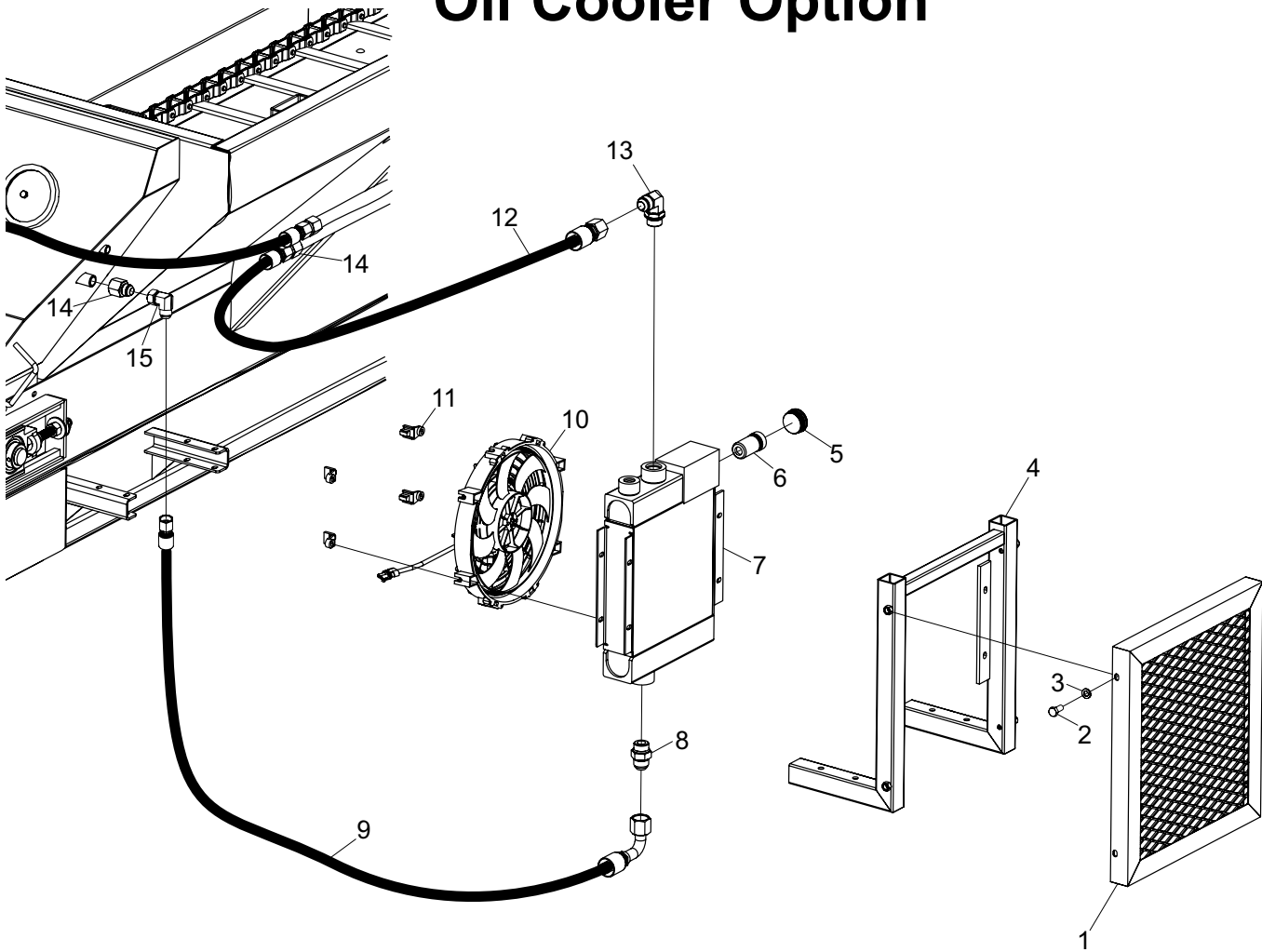
Ref#	Description	Part#	Qty
15	Flicker Weldment	890254	2
16	Flicker Side	890265	2
17	Flicker Deflector Weldment	890268	2
18	Tightner Handle	890272	4
19	Flicker Side Panel	890274	2
20	1/2-13 THREADED ROD	890287	2
21	#50 Roller CHAIN	890290	2
22	FLICKER SHEILD, HINGED, LH	890564	1
23	Flicker Mount Weldment	890567	1
24	Flicker Mount Weldment, RH	890568	1
25	Flicker Bracket Weldment, LH	890569	1
26	Flicker Bracket Weldment, Hinged, RH	890570	1
27	FLICKER SHEILD, HINGED, RH	890576	1
28	.25 x 1.5 Key	902017	4

Switchbox



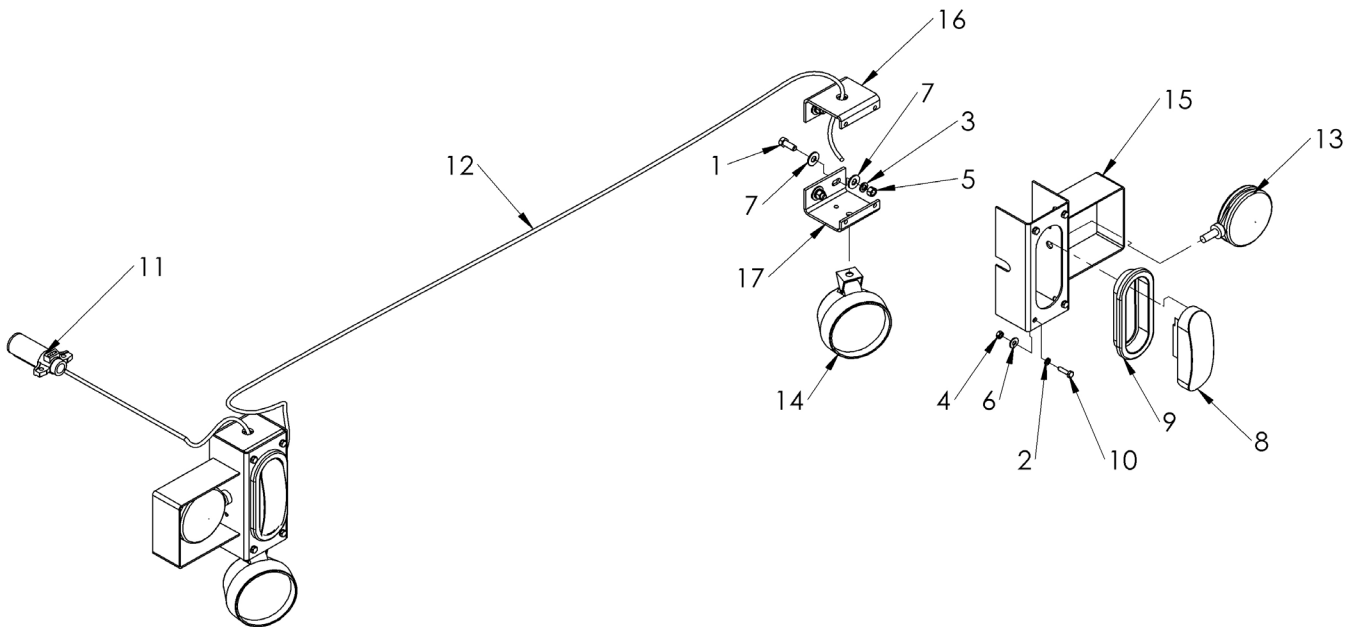
Ref#	Description	Part#
1	Magnet	800450
2	Switchbox Base	830398
3	Toggle Switch	830353
4	Switchbox Cover	830399
5	Toggle Switch 1/2 boot	507413
6	3/8" Cord Grip Nut	507414
7	3/8" Plastic Cord Grip	507415
8	Wire (Specify length when ordering)	290168
9	10 Amp Fuse	507403
10	Fuse Holder	507402
11	European Lighter Plug	507307
12	European Female Plug	507324
13	Amp Plug	290290
14	Amp Receptical (Tractor Side)	830791
15	Deutsch Connector Wedge	290028
16	Deutsch Connector Sockets (2)	290007
17	Deutsch Connector Housing	290052
18	Complete Control Box Assembly	890194

Oil Cooler Option



Ref#	Description	Part#
1	Cooler Grill Weldment	801166
2	5/16-18 x 3/4 Truss Head Bolt, Zinc	000210
3	5/16 Lock Washer, Zinc	000810
4	Cooler Frame Weldment	801160
5	#20 Plug	890459
6	Oil Cooler Check Valve	890462
7	Oil Cooler Core	890463
8	Straight Fitting, #12 MJ x #12 MB	290065
9	45-1/2" Hose Assembly (12FJX90S - 12FJX)	891211
10	Oil Cooler Fan W/Shroud	890460
11	Oil Cooler Fan Mounting Bracket	890461
12	27" Hose Assembly (12FJX - 12FJX)	890357
13	90 Degree Fitting, #12 MJ x #12 MB	290022
14	Straight Fitting,- #12 MJ x #12 FP	290019
15	90 Degree Elbow,- #12 MJ x #12 FJX	290150
16	Complete Oil Cooler	890209

Light Package Option



Ref#	Description	Part#	Qty
1	3/8-16 x 1.000 HH Bolt Zinc	270	8
2	1/4 Split Lock Washer	805	8
3	3/8 Split Lock Washer	820	8
4	1/4-20 Hex Nut Zinc	900	8
5	3/8-16 Hex Nut zinc	915	8
6	1/4 USS Flat Washer	1020	8
7	3/8 USS Flat Washer	1035	16
8	6" Oval Tail Light	100139	2
9	6" Oval Tail Light Grommet	100140	2
10	1/4-20 x 1 HH Bolt, Gr5	100148	8
11	Cole Hersee Plug	100447	1
12	(V12) Trailer Cable, 6 Contact 14 GA	290253	1
13	Light, Pedistal Mount Dual Face	507164	2
14	Flood Light	507176	2
15	Light Box Weldment	702506	2
16	Light Bracket Mount, top	890523	2
17	Light Bracket Mount, BOTTOM	890524	2