



Pequea Turbo Rake

Models TR-8, TR-10 & TR-12

Illustrated Parts Breakdown

Page 1 **Tongue Assembly**

Page 2 **Wheel Assembly**

Page 3 **Wheel Beam Assembly**

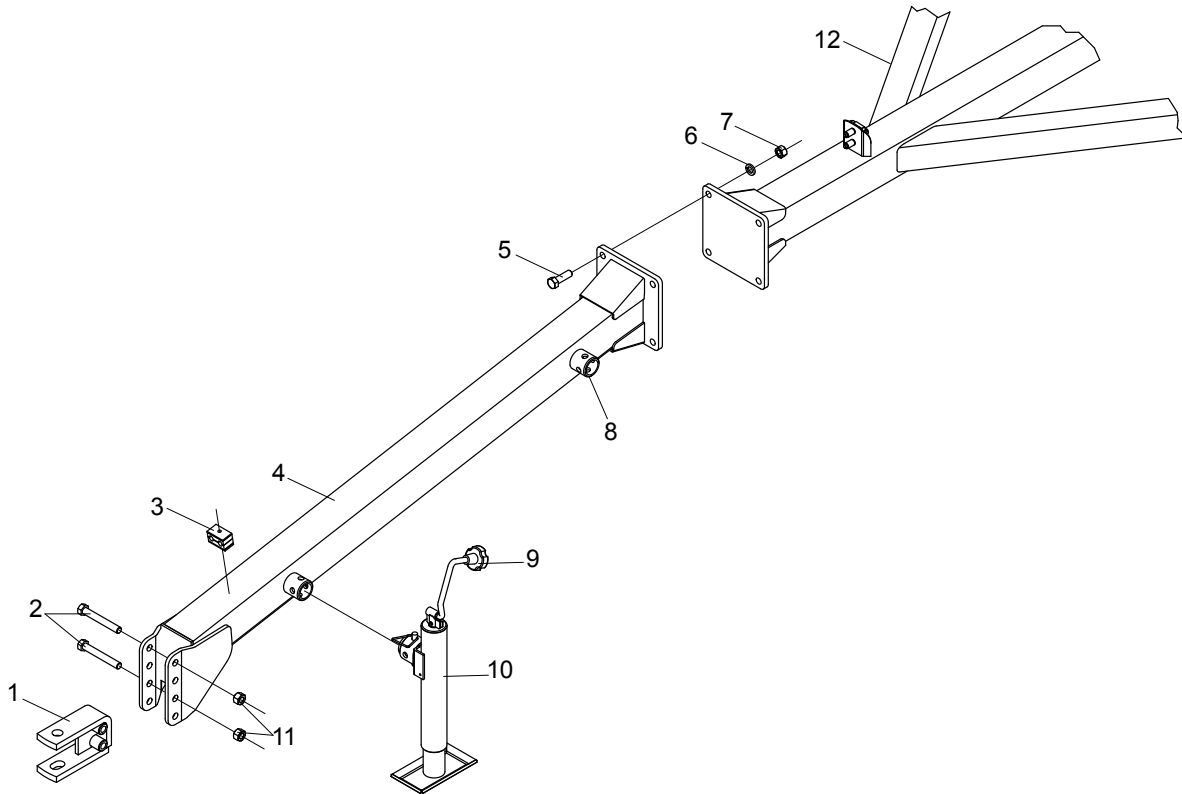
Page 4 **Pivot Assembly**

Page 5 **Spindle & Wheel**

Page 6 **Hydraulics**

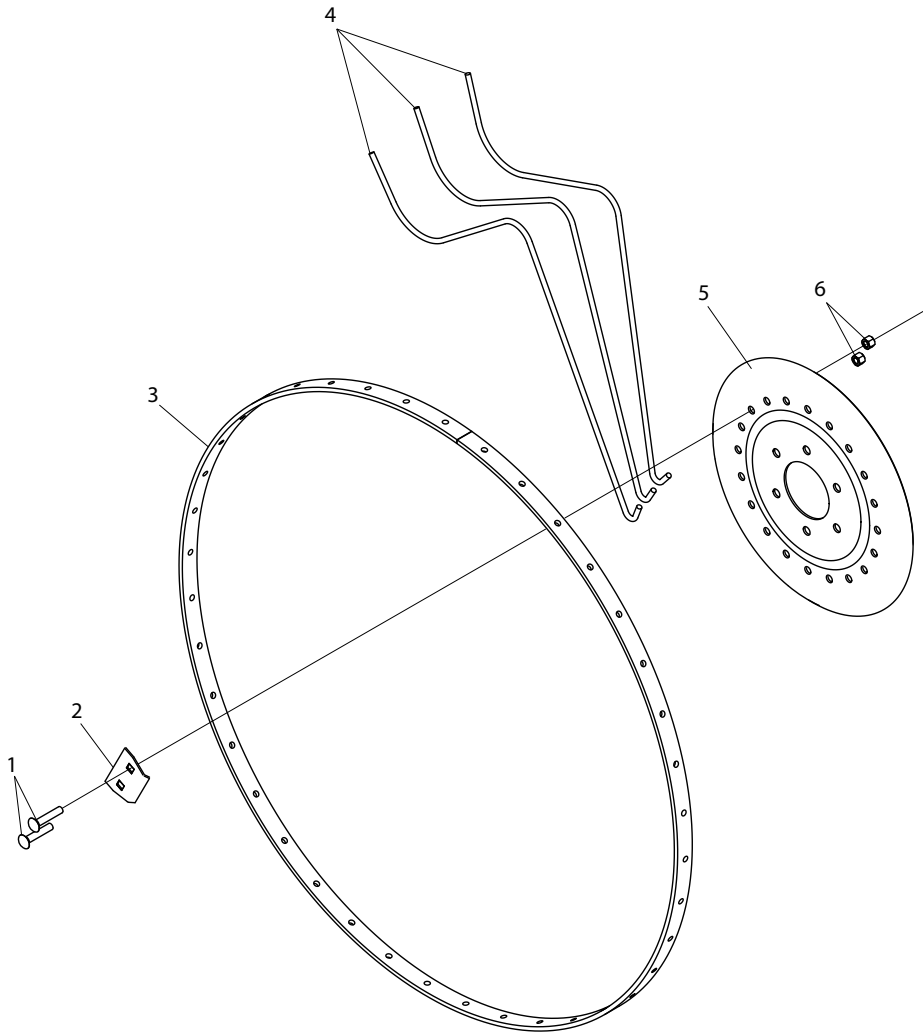


Tongue Assembly



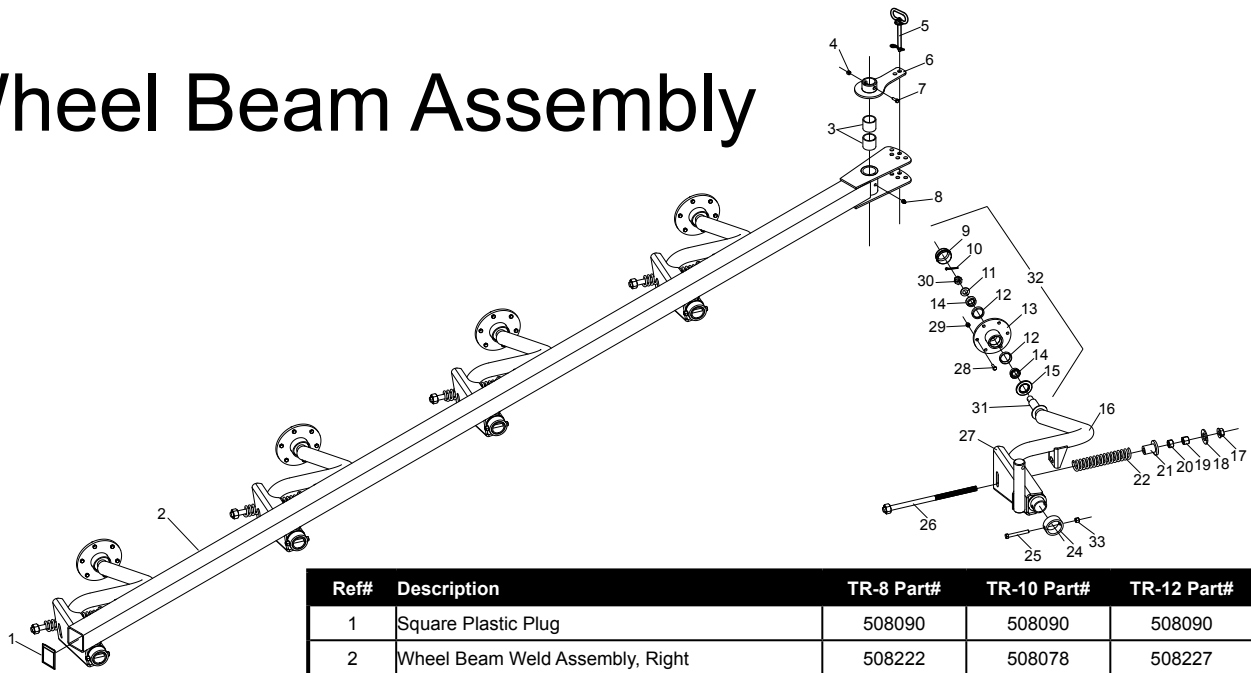
Ref#	Description	TR-8 Part#	TR-10 Part#	TR-12 Part#
1	Clevis Hitch	508304	508304	508304
2	Bolt, 5/8 x 4-1/2	000645	000645	000645
3	Hydraulic Hose Holding Kit	507294	507294	507294
4	Tongue	508044	508044	508400
5	Bolt, 5/8 x 2	000615	000615	000615
6	Lock Washer, 5/8	000860	000860	000860
7	Nut, 5/8	000970	000970	000970
8	Jack Mount Bracket	500005	500005	500005
9	Jack Handle	500010	500010	500010
10	Jack Complete	500009	500009	500009
11	Locknut, 5/8	000972	000972	000972
12	Main Frame	508095	508095	508095

Wheel Assembly



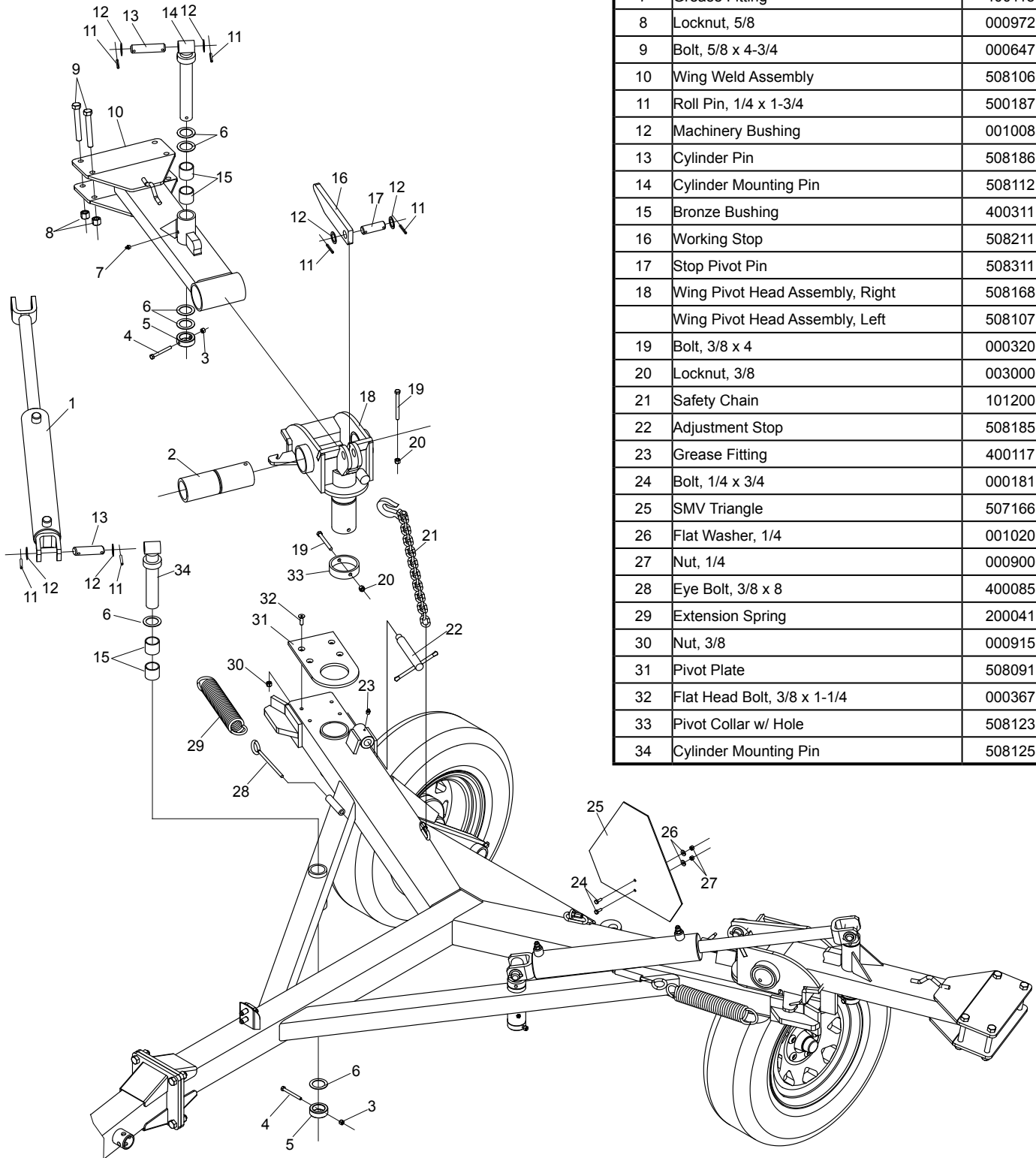
Ref#	Description	Part#
1	Carriage Bolt, 3/8 x 1	000125
2	Tine Clamp	508191
3	Tine Ring	508158
4	Rake Tine	508086
5	Rake Wheel Hub	508087
6	Nut, 3/8	000916
	Complete Wheel, Left Side	508194
	Complete Wheel, Right Side	508085

Wheel Beam Assembly



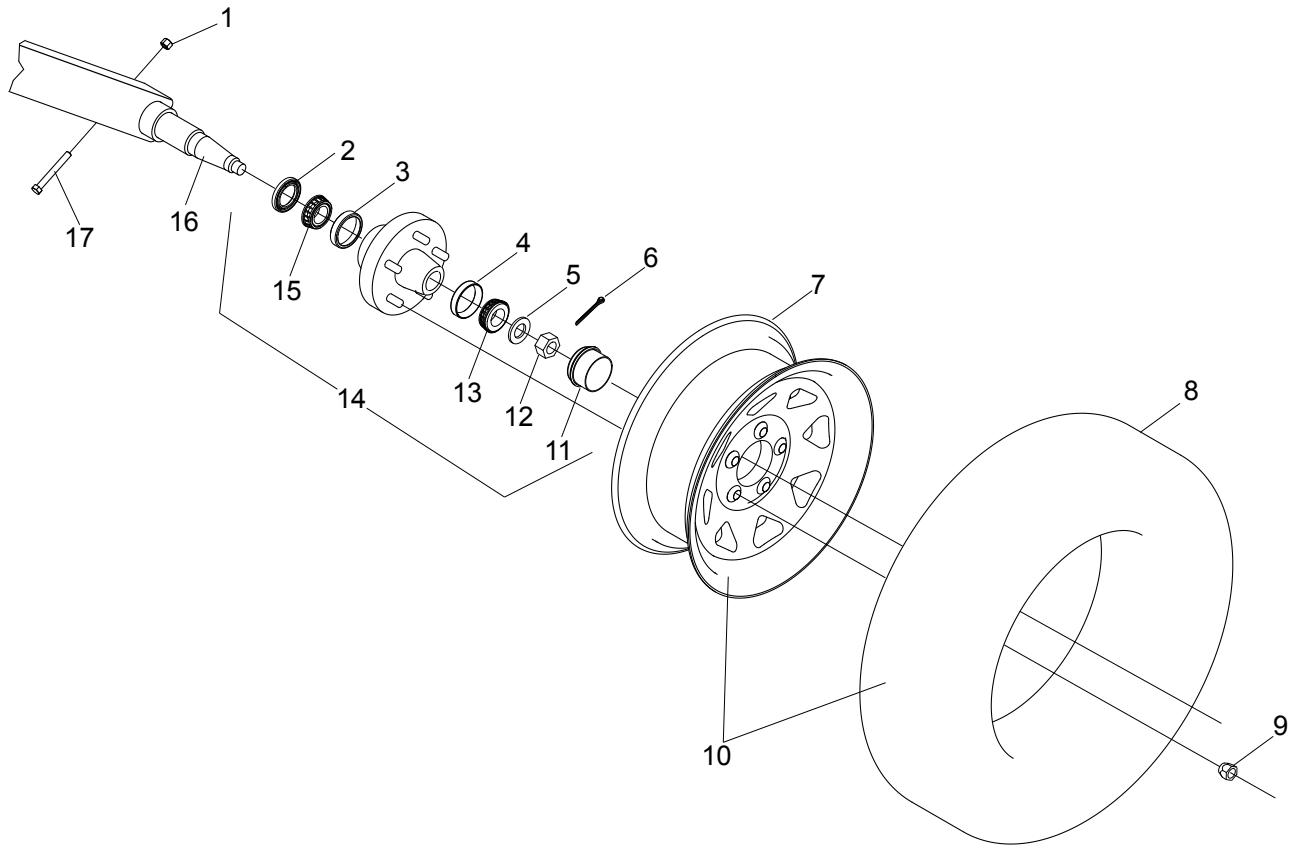
Ref#	Description	TR-8 Part#	TR-10 Part#	TR-12 Part#
1	Square Plastic Plug	508090	508090	508090
2	Wheel Beam Weld Assembly, Right	508222	508078	508222
	Wheel Beam Weld Assembly, Left	508221	508043	508226
3	Bronze Bushing	400311	400311	400311
4	Locknut, 1/2	000950	000950	000950
5	Lock Pin	508187	508187	508187
6	Pivot Adjustment Handle	508173	508173	508173
7	Bolt, 1/2 x 2-3/4	000580	000580	000580
8	Grease Fitting	400118	400118	400118
9	Dust Cap	508144	508144	508144
10	Cotter Pin, 5/32 x 1-1/2	001215	001215	001215
11	Spindle Washer	508219	508219	508219
12	Race, L44610	101471	101471	101471
13	Hhub Weld Assembly	508143	508143	508143
14	Bearing, L44649	101469	101469	101469
15	Grease Seal	508137	508137	508137
16	Wheel Arm Weld Assembly, Right	508223	508223	508223
	Wheel Arm Weld Assembly, Left	508228	508228	508228
17	Flange Lock Nut, 5/8	000680	000680	000680
18	Machinery Bushing, 5/8	401442	401442	401442
19	Locknut, 5/8	000972	000972	000972
20	Nut, 5/8	000970	000970	000970
21	Spring Guide	508075	508075	508075
22	Compression Spring	508051	508051	508051
23	Locknut, 3/8	003000	003000	003000
24	Wheel Arm Retainer	508070	508070	508070
25	Bolt, 3/8 x 3	000307	000307	000307
26	Spring Rod	508177	508177	508177
27	Rear Wheel Pivot Mount, Right	508174	508174	508174
	Rear Wheel Pivot Mount, Left	508062	508062	508062
28	Bolt, 7/16 x 1-1/4	000355	000355	000355
29	Nut, 7/16	000935	000935	000935
30	Spindle Nut	508229	508229	508229
31	Spindle	508145	508145	508145
32	Complete Hub	508141	508141	508141
33	Locknut, 3/8	003000	003000	003000

Pivot Assembly



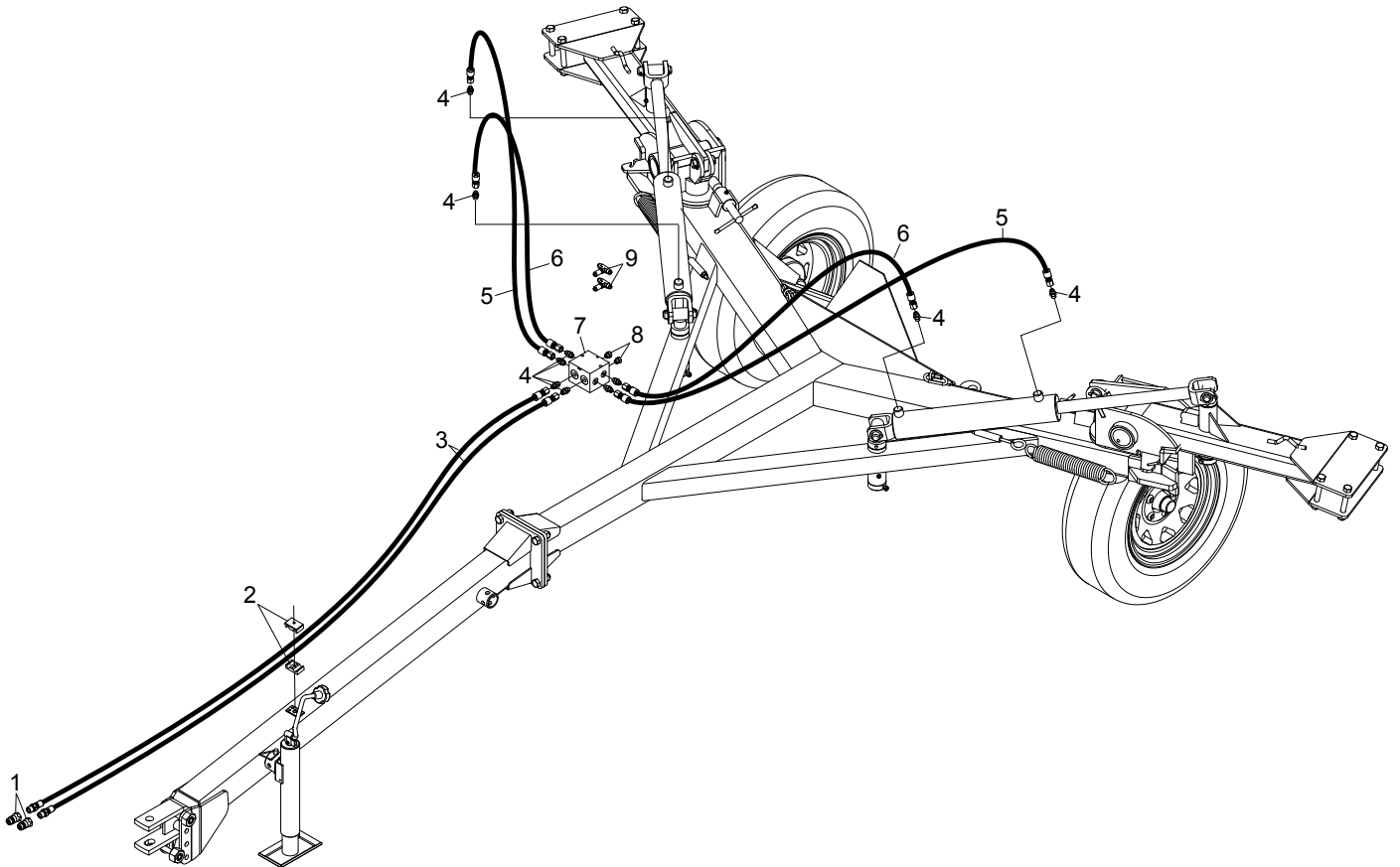
Ref#	Description	Part#
1	Cylinder	508135
2	Wing Head Pin	508108
3	Locknut, 5/16	002999
4	Bolt, 5/16 x 3	000141
5	Collar	508188
6	Machinery Bushing	500197
7	Grease Fitting	400118
8	Locknut, 5/8	000972
9	Bolt, 5/8 x 4-3/4	000647
10	Wing Weld Assembly	508106
11	Roll Pin, 1/4 x 1-3/4	500187
12	Machinery Bushing	001008
13	Cylinder Pin	508186
14	Cylinder Mounting Pin	508112
15	Bronze Bushing	400311
16	Working Stop	508211
17	Stop Pivot Pin	508311
18	Wing Pivot Head Assembly, Right	508168
	Wing Pivot Head Assembly, Left	508107
19	Bolt, 3/8 x 4	000320
20	Locknut, 3/8	003000
21	Safety Chain	101200
22	Adjustment Stop	508185
23	Grease Fitting	400117
24	Bolt, 1/4 x 3/4	000181
25	SMV Triangle	507166
26	Flat Washer, 1/4	001020
27	Nut, 1/4	000900
28	Eye Bolt, 3/8 x 8	400085
29	Extension Spring	200041
30	Nut, 3/8	000915
31	Pivot Plate	508091
32	Flat Head Bolt, 3/8 x 1-1/4	000367
33	Pivot Collar w/ Hole	508123
34	Cylinder Mounting Pin	508125

Spindle & Wheel



Ref#	Description	Part#
1	Nut, 3/8	000915
2	Grease Seal	508500
3	Race, L68111	508502
4	Race, L44610	508504
5	Spindle Washer	500206
6	Cotter Pin	500208
7	Rim, 15x6 6-Bolt	101164
8	Tire, 205/75 R15	101161
9	Lug Nut	508506
10	Tire & Wheel Assembly	100616
11	Hub Cap	500209
12	Spindle Nut	500207
13	Bearing, L44649	508503
14	Hub Complete	508026
15	Bearing, L68149	508501
16	Spindle	508027
17	Bolt, 3/8 x 3	000307

Hydraulics



Ref#	Description	TR-8 Part#	TR-10 Part#	TR-12 Part#
1	Coupler	290105	290105	290105
2	Hydraulic Hose Holding Kit	507294	507294	507294
3	Hose Assembly	508312	508312	508316
4	Straight Fitting	507283	507283	507283
5	46" Hose Assembly	508314	508314	508314
6	28-1/4" hose Assembly	508313	508313	508313
7	Hydraulic Manifold	508425	508425	508425
8	Hex Plug	290161	290161	290161
9	Bulk Head Fitting	508315	508315	508315