

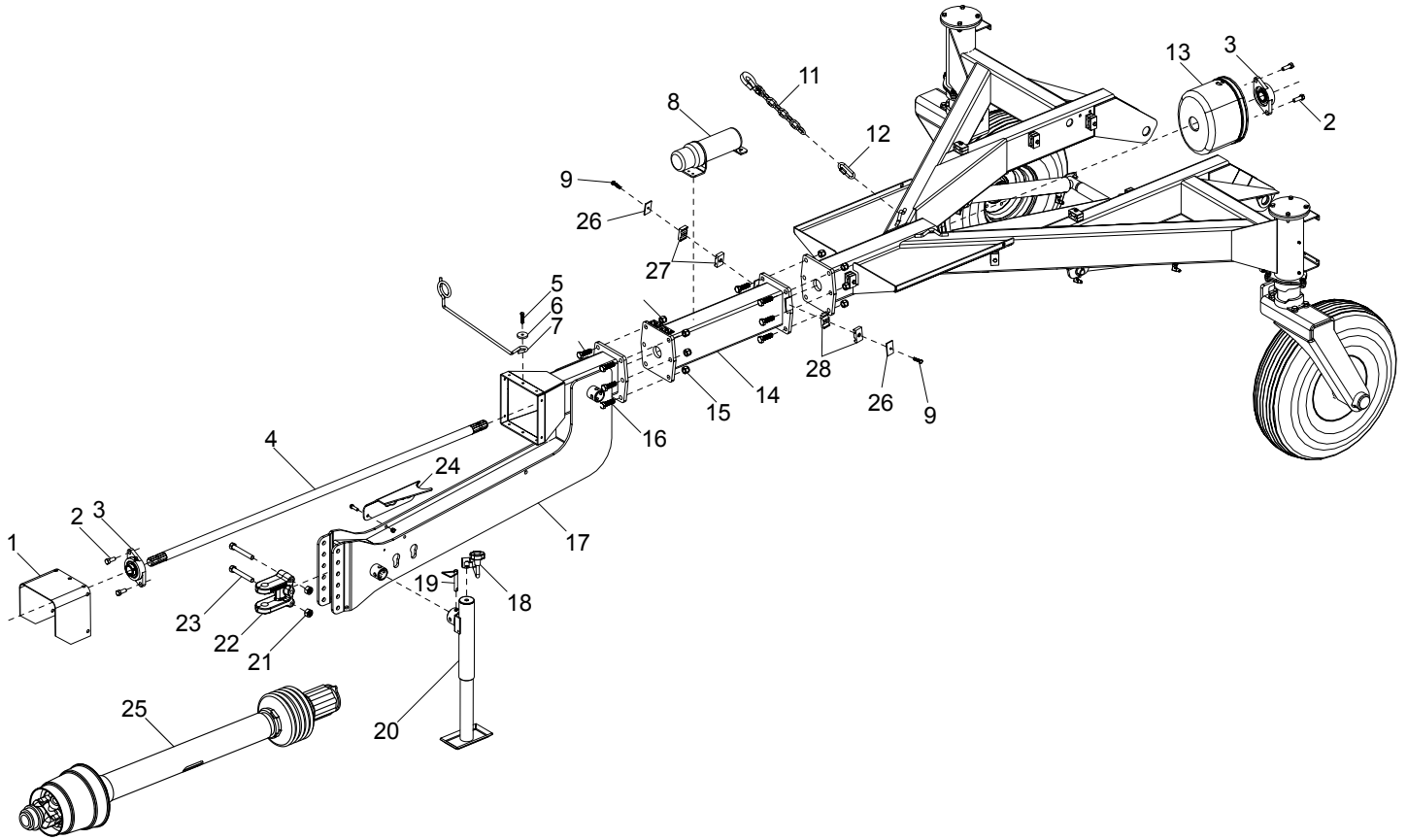


# TT6100 Rotary Tedder

## Illustrated Parts Breakdown

<b>Page 1</b>	<b>Chassis Assembly</b>
<b>Page 2</b>	<b>Transport Axle Assembly S/N -93847</b>
<b>Page 3</b>	<b>Transport Axle Assembly S/N 93847+</b>
<b>Page 4</b>	<b>Transport Lock Assembly</b>
<b>Page 5</b>	<b>Lift Frame Assembly</b>
<b>Page 6</b>	<b>Center Tunnel Assembly</b>
<b>Page 7</b>	<b>Inner Wing Assembly S/N -94153</b>
<b>Page 8</b>	<b>Inner Wing Assembly S/N 94153+</b>
<b>Page 9</b>	<b>Outer Wing Assembly</b>
<b>Page 10</b>	<b>Rotor and Tine Arm</b>
<b>Page 11</b>	<b>Axle Assembly S/N -95066</b>
<b>Page 12</b>	<b>Axle Assembly S/N 95066+</b>
<b>Page 13</b>	<b>Input Gearbox Assembly</b>
<b>Page 14</b>	<b>Rotor Gearbox Assembly</b>
<b>Page 15</b>	<b>PTO Shaft Assembly - Walterscheid</b>
<b>Page 16</b>	<b>Rear PTO Shaft Assembly - Bondioli</b>
<b>Page 17</b>	<b>Front PTO Shaft Assembly - Bondioli</b>
<b>Page 18</b>	<b>Hydraulics</b>

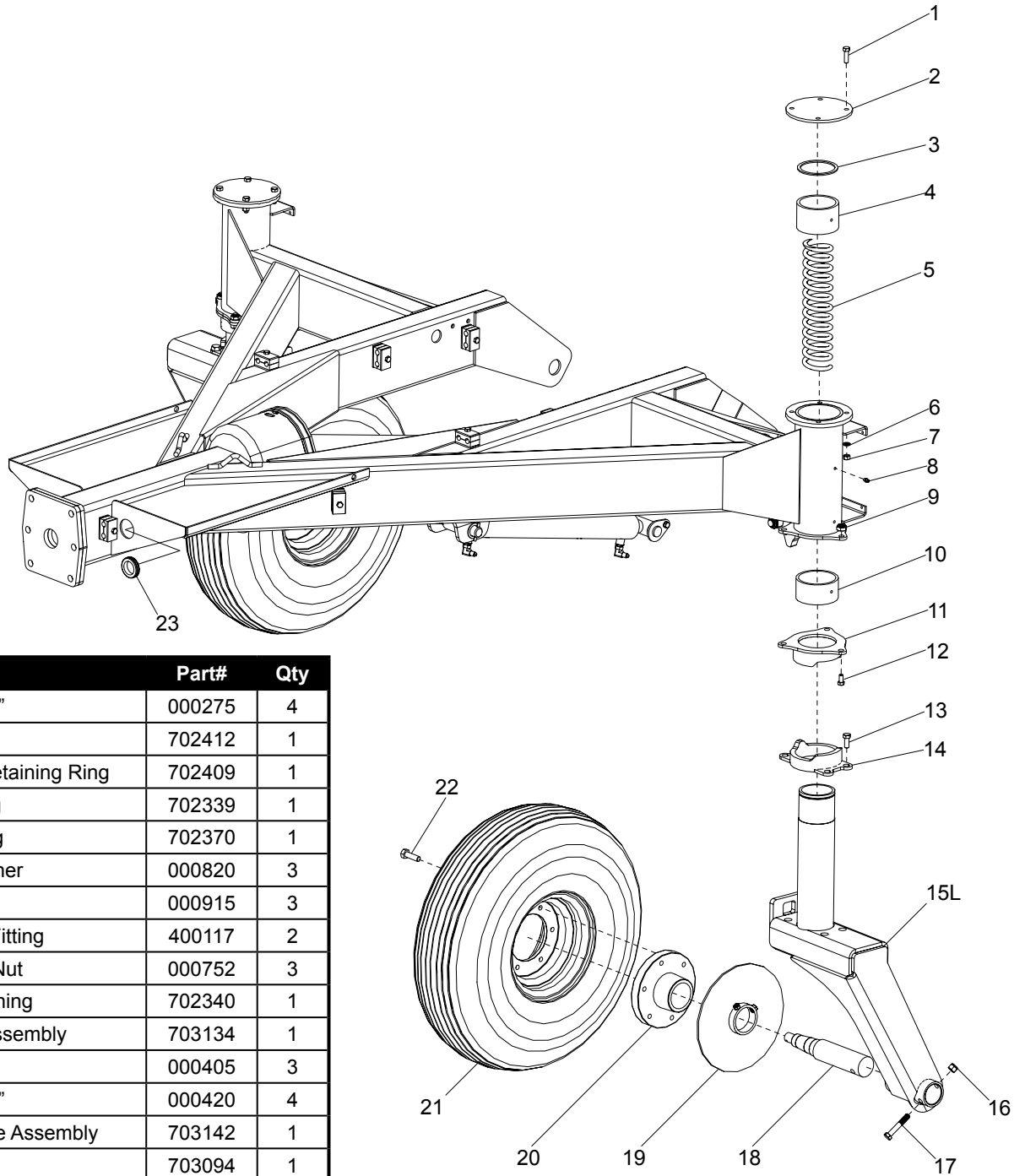
# Chassis Assembly



Ref#	Description	Part#	Qty Used
1	PTO Shield	702333	1
2	Bolt, 1/2" x 1.25"	000420	2 per bearing
3	Flange Bearing	505568	2
4	Drive Shaft	700917	1
5	Bolt, 5/16 x 1-1/2	000225	1
6	Hose Support Washer	502308	1
7	Hose Support	502288	1
8	Ops Manual Canister	503050	1
9	Bolt, 5/16 x 1-5/16	703327	1
10	Hose Block Kit	507294	10
11	Safety Chain	101132	2
12	5/16" Quick Link	001095	2
13	Plastic PTO Shield	701205	1
14	Tongue Extension	703296	1

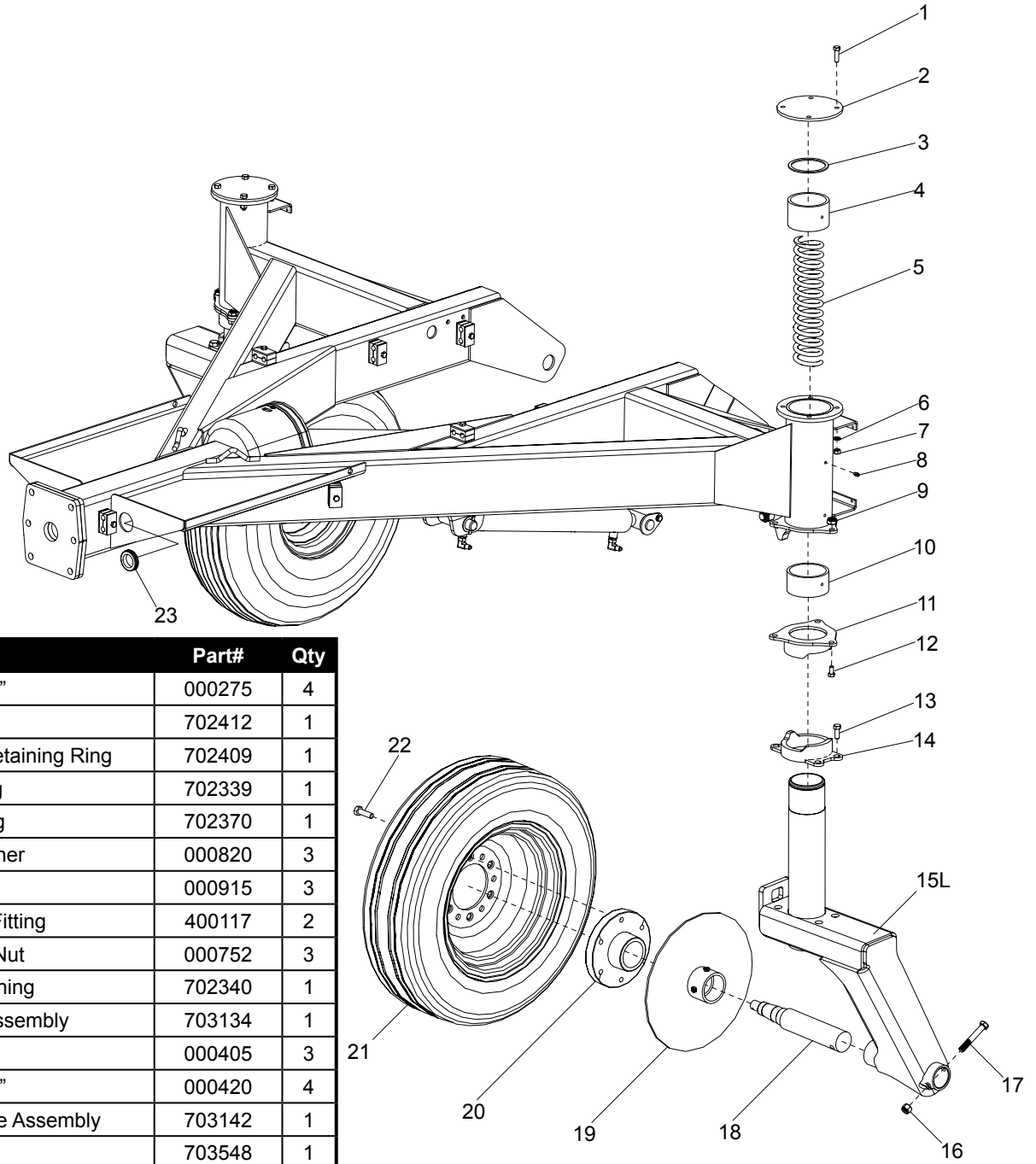
Ref#	Description	Part#	Qty Used
15	5/8" Nylon Locknut	000972	12
16	Bolt, 5/8" x 2"	000615	12
17	Front Tongue Weldment	703286	1
18	Jack Handle (Top Wind)	500010	1
19	Pin & Chain	102121	1
20	2K Top Wind Jack, Complete	500009	1
21	5/8"-11 Nut	100079	2
22	3 Hole Clevis Coupler	507018	1
23	Bolt, 5/8-11 x 4-1/2	000645	2
24	PTO Stand	500015	1
25	Complete PTO Shaft	702097	1
26	Metal Hose Clamp Cap	510630	1 per clamp
27	1/4" Nylon Hose Clamp	510632	2 per clamp
28	3/8" Nylon Hose Clamp	507300	2 per clamp

# Transport Axle Assembly S/N -93847



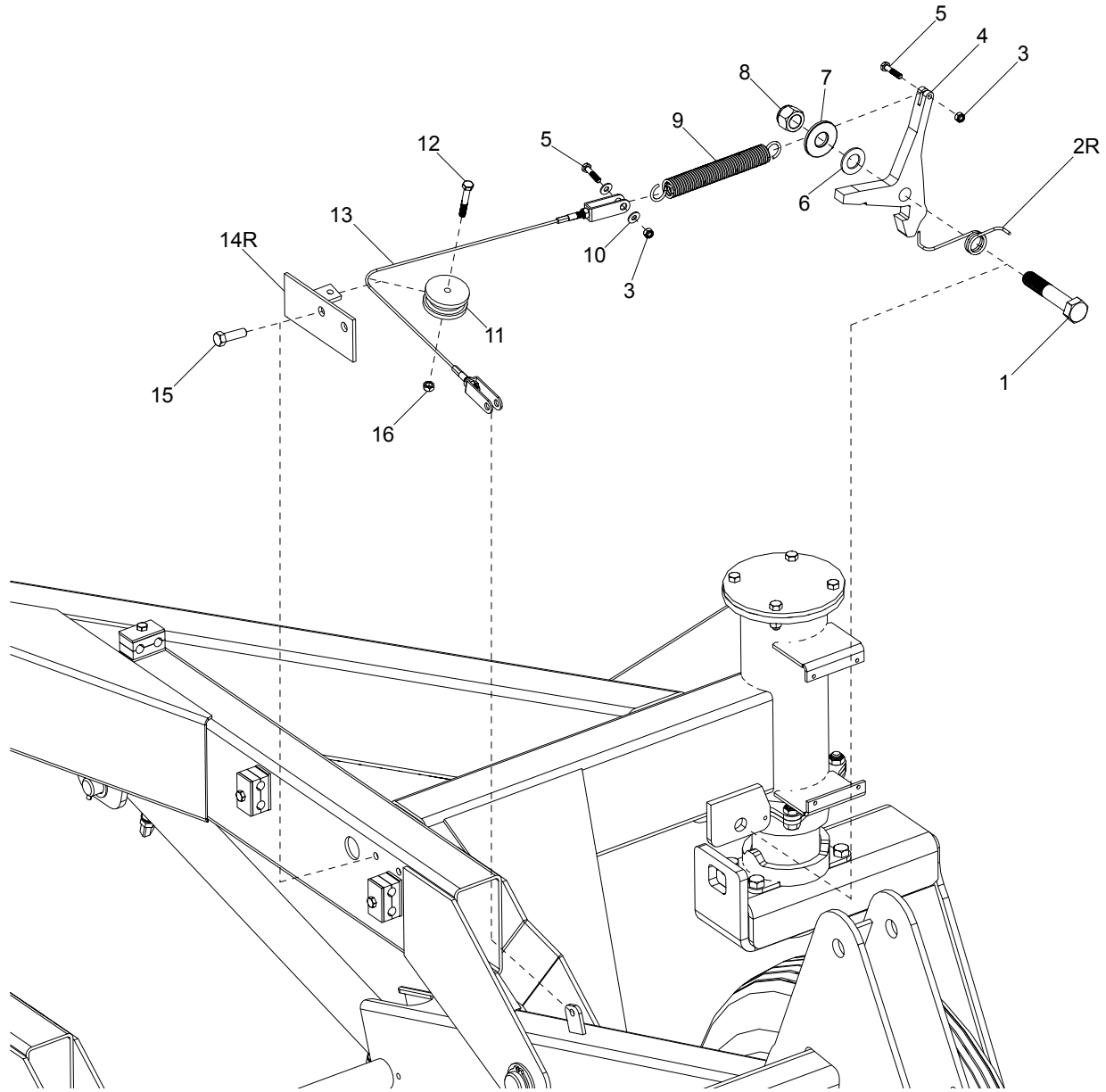
Ref#	Description	Part#	Qty
1	Bolt, 3/8"-16 x 1-1/4"	000275	4
2	Spring Cap	702412	1
3	3-1/2" Ext. Spiral Retaining Ring	702409	1
4	Top Bronze Bushing	702339	1
5	Compression Spring	702370	1
6	3/8" Split Lock Washer	000820	3
7	3/8"-16 Hex Nut	000915	3
8	1/4"-28 Spin Drive Fitting	400117	2
9	1/2"-13 Nylon Jam Nut	000752	3
10	Bottom Bronze Bushing	702340	1
11	Top Locking Pipe Assembly	703134	1
12	Bolt, 1/2"-13 x 1"	000405	3
13	Bolt, 1/2"-13 x 1-1/4"	000420	4
14	Bottom Locking Pipe Assembly	703142	1
15L	Left Dolly Frame	703094	1
15R	Right Dolly Frame	703100	1
16	1/2" Nylon Locknut	000950	1
17	Bolt, 1/2" x 3"	000470	1
18	G888 Spindle	703042	1
19	Hay Wrap Guard	703043	1
20	G888 Hub Complete	300122	1
21	Wheel and Tire Assembly	702105	1
22	1/2" Lug Bolt	300037	6
23	2-1/2" Grommet	510621	2

# Transport Axle Assembly, S/N 93847+



Ref#	Description	Part#	Qty
1	Bolt, 3/8"-16 x 1-1/4"	000275	4
2	Spring Cap	702412	1
3	3-1/2" Ext. Spiral Retaining Ring	702409	1
4	Top Bronze Bushing	702339	1
5	Compression Spring	702370	1
6	3/8" Split Lock Washer	000820	3
7	3/8-16 Hex Nut	000915	3
8	1/4"-28 Spin Drive Fitting	400117	2
9	1/2"-13 Nylon Jam Nut	000752	3
10	Bottom Bronze Bushing	702340	1
11	Top Locking Pipe Assembly	703134	1
12	Bolt, 1/2"-13 x 1"	000405	3
13	Bolt, 1/2"-13 x 1-1/4"	000420	4
14	Bottom Locking Pipe Assembly	703142	1
15L	Left Dolly Frame	703548	1
15R	Right Dolly Frame	703539	1
16	1/2" Nylon Locknut	000950	1
17	Bolt, 1/2" x 3"	000470	1
18	2" x 14" G888 Spindle w/ Crosshole	703550	1
19	Hay Wrap Guard	703574	1
20	G888 Hub Complete	300122	1
21	Airplane Style Tire and Wheel	703557	1
22	1/2" Lug Bolt	300037	6
23	2-1/2" Grommet	510621	1

# Transport Lock Assembly



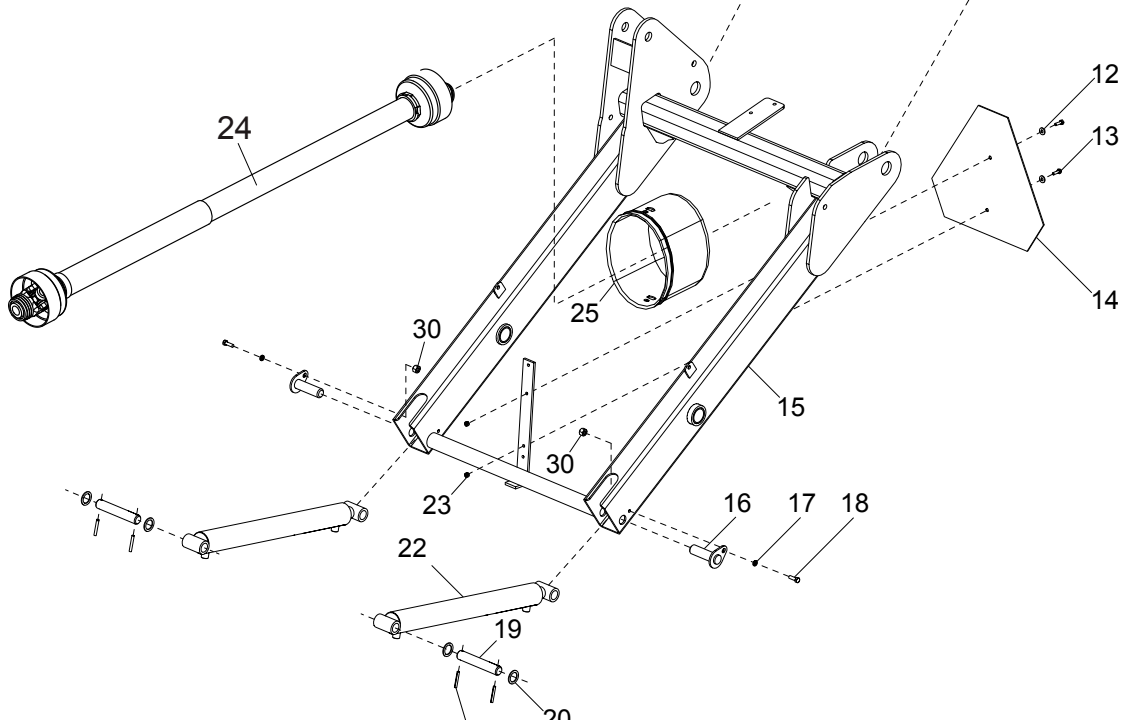
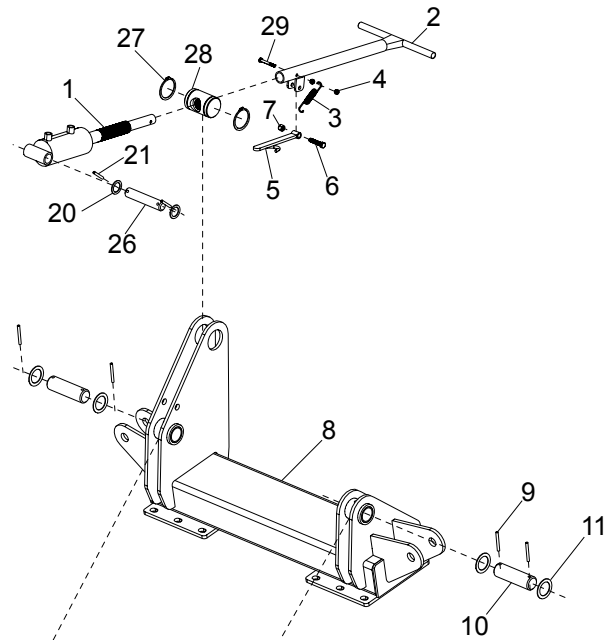
Ref#	Description	Part#
1	3/4" x 4" HHB	000740
2R	Right Transport Latch Spring	703403
2L	Left Transport Latch Spring	703402
3	1/4-20 Nylon Lock Nut	003001
4	Transport Latch	703032
5	1/4-20 x 1-1/4 HHB	000184
6	3/4 USS Flat Washer	001086
7	Large 3/4 USS Flat Washer	001085
8	3/4-10 Nylon Lock Nut	000990

Ref#	Description	Part#
9	Transport Lock Spring	703144
10	3/8" USS Flatwasher	001035
11	Cable Pulley	703028
12	5/16-18 x 2" Hex Head Bolt	000122
13	Transport Latch Cable	703005
14R	Right Pulley Bracket	703055
14L	Left Pulley Bracket	703054
15	3/8-16 x 1.25 HHB	000275
16	5/16-18 HH Nut Zinc Plated	000910

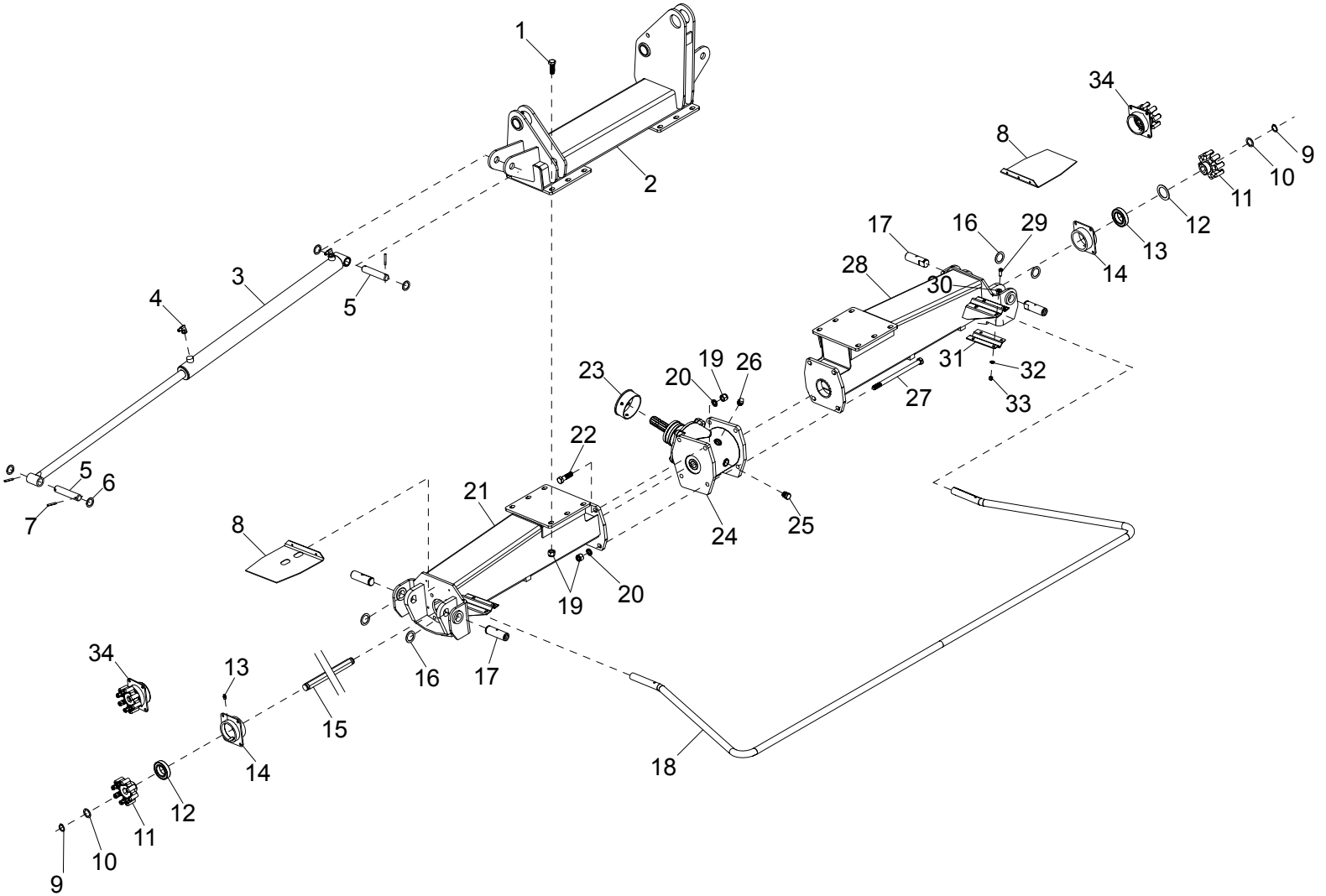
# Lift Frame Assembly



Ref#	Description	Part#	Qty
1	Front Cylinder Handle Complete	703162	1
2	Rubber Grips	900116	2
3	Tilt Cylinder Handle Spring	703332	1
4	1/4" Nylon Lock Nut	003001	2
5	Tilt Cylinder Latch Weldment	N/A	1
6	3/8 x 1-3/4 Hex Head Bolt	000285	1
7	3/8 Nylon Lock Nut	003000	1
8	TT 6100, 8100 Tunnel Weldment	703223	1
9	1/4" x 2" Roll Pin	502282	4
10	Top Connecting Pin	701102	2
11	1-1/2" 14 ga. Machinery Bushing	500197	4
12	1/4" Flat Washer	001020	2
13	1/4" - 20 x 7/8" Hex Head Bolt	000180	2
14	SMV Triangle	507166	1
15	Lifting Carriage Weldment	703232	1
16	Pivot Pin Weldment	702439	2
17	3/8" Split Lock Washer	000820	2
18	3/8" x 1" Hex Head Bolt	000270	2
19	Kicker Pivot Pin	508414	2
20	1" 14 ga. Machinery Bushing	001008	4
21	1/4" x 1-3/4" Roll Pin	500187	4
22	2" x 18" Welded Cylinder	702358	2
23	1/4" Hex Nut	000900	2
24	PTO Shaft Complete	701212	1
25	PTO Shield	701205	1
26	Front Tilt Cylinder Pin	701016	1
27	Retaining Ring	703238	2
28	Front Tilt Cylinder Mount	703160	1
29	1/4" x 2" Hex Head Bolt	000190	1
30	3/8"-16 Nylon Locknut, Gr.5 Zinc	003000	2



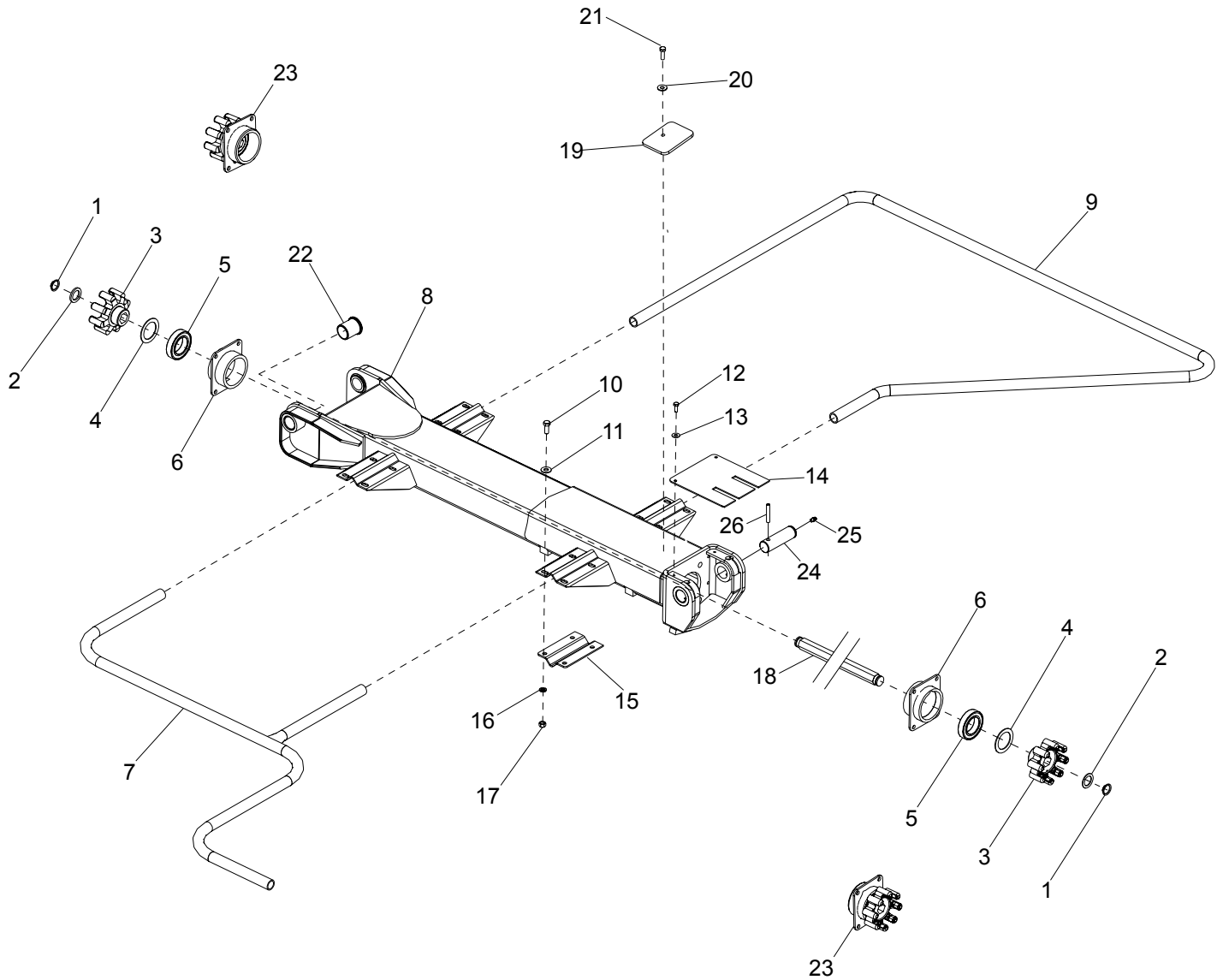
# Center Tunnel Assembly



Ref#	Description	Part#	Qty
1	5/8-11 x 1-3/4 HHB	000625	12
2	Top Center Tunnel Weldment	703223	1
3	2" x 30" Welded Cross Tube Cylinder	703303	2
4	Elbow Fitting	700907	4
5	Hydraulic Pin	701016	4
6	Machinery Bushing	001008	8
7	1/4" x 1-3/4" Roll Pin	500187	8
8	Inside Finger Joint Cover	703131	2
9	1" Snap Ring	702883	2
10	Bolt, 1/2 x 1-1/4	702668	2
11	Open Finger Drive	702908	2
12	Finger Joint Bearing	702613	2
13	Spacer	702668	2
14	Finger Joint Bearing Holder	702877	2
15	Center Hex Shaft	703050	1
16	18 Gauge Shim Washer	703170	4
17	Wing Pivot Pin	703052	4

Ref#	Description	Part#	Qty
18	Center Guard	703344	1
19	5/8" Nylon Lock Nut	000972	8
20	5/8 Split Lock Washer	000860	8
21	Left Center GB Weldment	703120	1
22	5/8"-11 x 2.25" HHB	000626	4
23	PTO Shield Mounting Bracket	703145	1
24	Center Gearbox Asm	702846	1
25	Hex-Head Plug	703115	1
26	Solid Square-Head Plug	703116	1
27	5/8"-11 x 10" HHB	000690	2
28	Right Center GB Weldment	703328	1
29	3/8-16 x 1.000 HHB	000270	8
30	3/8 USS Flat Washer	001035	8
31	Guard Cradle	702696	2
32	3/8 Split Lock Washer	000820	8
33	3/8-16 Hex Nut zinc	000915	8
34	Finger and Bearing Assembly	702874	2

# Inner Wing Assembly S/N -94153

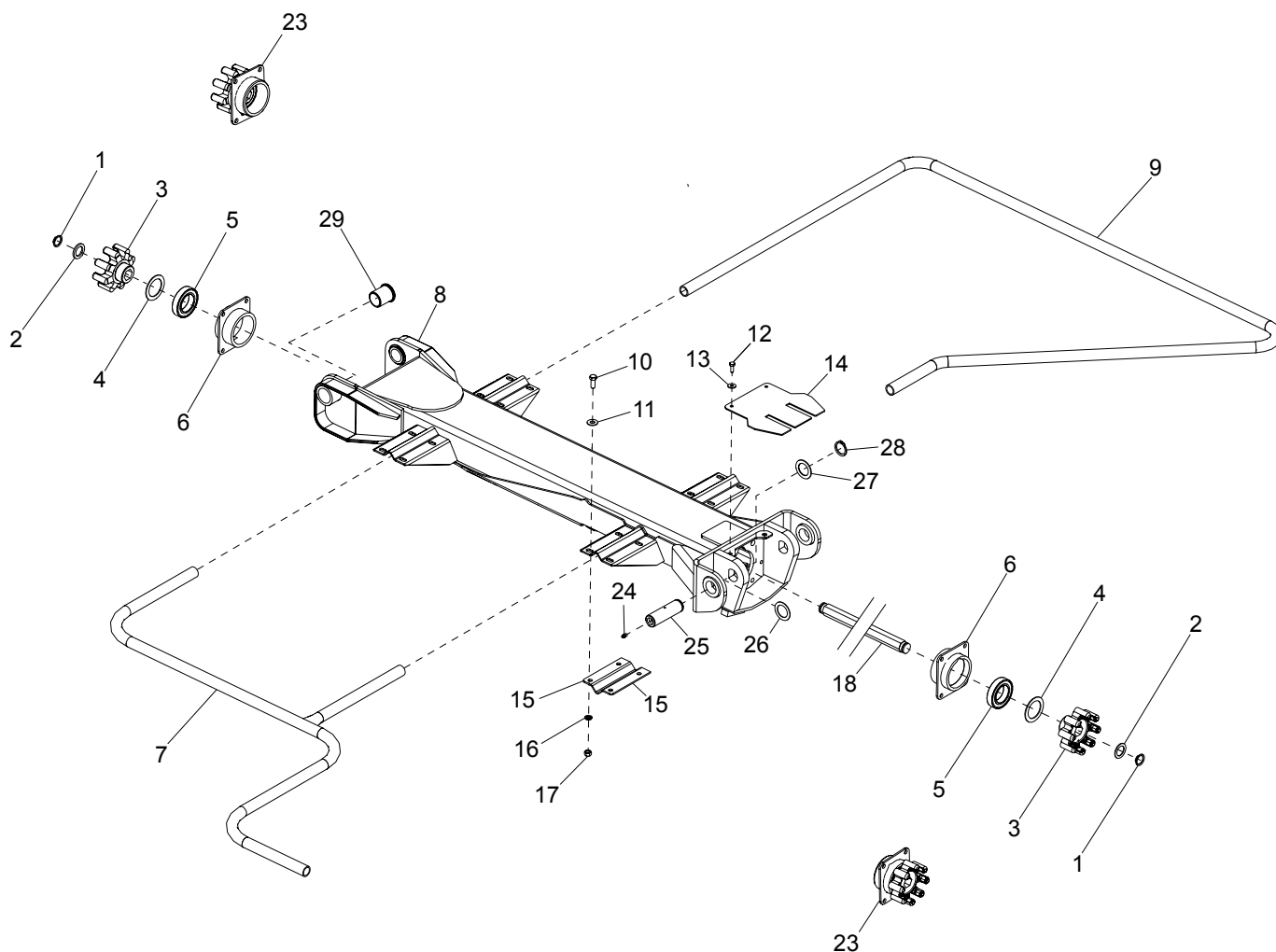


Ref#	Description	Part#	Qty
1	1" Heavy Duty Snap Ring	702883	2 per shaft
2	Machinery Bushing	300133	2 per shaft
3	Open Finger Drive	702908	4 per side
4	Finger Joint Spacer	702668	4 per side
5	Finger Joint Bearing	702613	4 per side
6	Finger Joint Bearing Holder	702877	4 per side
7	Inner Guard Assembly	703056	1 per side
8	Middle Wing Weldment	703737	1 per side
9	Middle Guard	703263	1 per side
10	3/8-16 x 1.000 HHB	000270	28 per side
11	3/8 USS Flat Washer	001035	28 per side
12	1/4-20 x .75 HHB	000175	2 per cover
13	1/4 USS Flat Washer	001020	2 per cover

Ref#	Description	Part#	Qty
14	Center Finger Joint Cover	703148	1 per side
15	Guard Cradle	702696	7 per side
16	3/8 Split Lock Washer	000820	28 per side
17	3/8-16 Hex Nut zinc	000915	28 per side
18	Middle Wing Hex Shaft	703051	1 per side
19	Nylon Pad	703376	1 per side
20	Washer	001030	1 per side
21	Bolt	000221	1 per side
22	SAE 863 Iron-Copper Bushing	703535	2 per wing
23	Finger and Bearing Assembly	702874	2 per wing
24	Main Frame Pivot Pin	702725	2 per wing
25	1/4-28 Spin-drive Grease Zert	400117	2 per wing
26	Spiral Roll Pin	702798	2 per wing



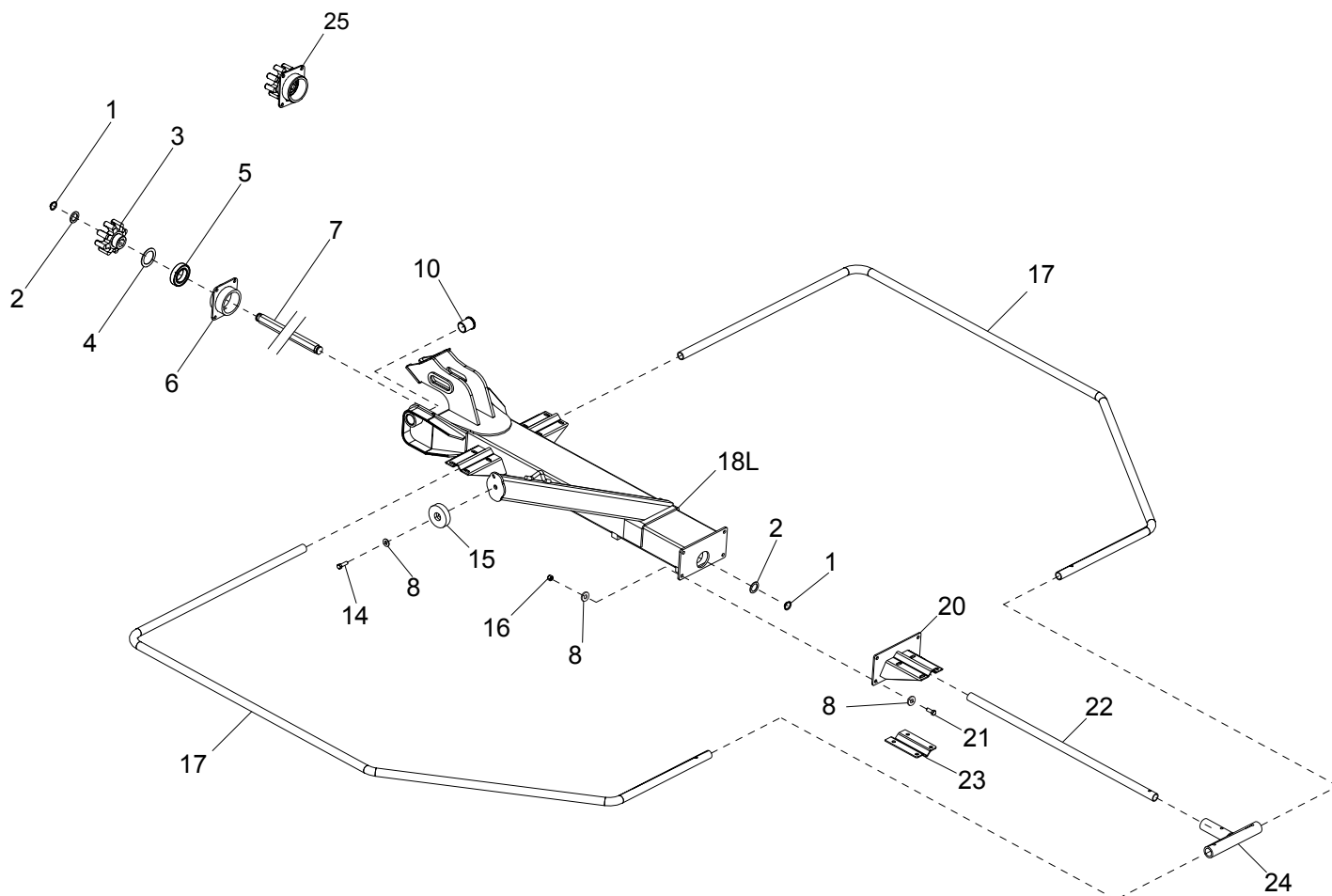
# Inner Wing Assembly S/N 800151+



Ref#	Description	Part#
1	1" Heavy Duty Snap Ring	702883
2	Machinery Bushing	300133
3	Open Finger Drive	702908
4	Finger Joint Spacer	702668
5	Finger Joint Bearing	702613
6	Finger Joint Bearing Holder	702877
7	Inner Guard Assembly	703056
8	Middle Wing Weldment	703737
9	Middle Guard	703263
10	3/8-16 x 1.000 HHB	000270
11	3/8 USS Flat Washer	001035
12	1/4-20 x .75 HHB	000175
13	1/4 USS Flat Washer	001020
14	Center Finger Joint Cover	703734

Ref#	Description	Part#
15	Guard Cradle	702696
16	3/8 Split Lock Washer	000820
17	3/8-16 Hex Nut zinc	000915
18	Middle Wing Hex Shaft	703051
19	Nylon Pad	703376
20	Washer	001030
21	Bolt	000221
22	SAE 863 Iron-Copper Bushing	703535
23	Finger and Bearing Assembly	702874
24	1/4-28 Spin-drive Grease Zert	400117
25	Wing 1.250" D Pin	703052
26	1-1/4" x 1-7/8" Machinery Bushing, 18 Ga.	703588
27	1-1/4" x 1-7/8" Machinery Bushing, 14 Ga.	500185
28	Heavy Duty Ext Retaining Ring, 1-1/4"	702826
29	SAE 863 Iron-Copper Bushing	703535

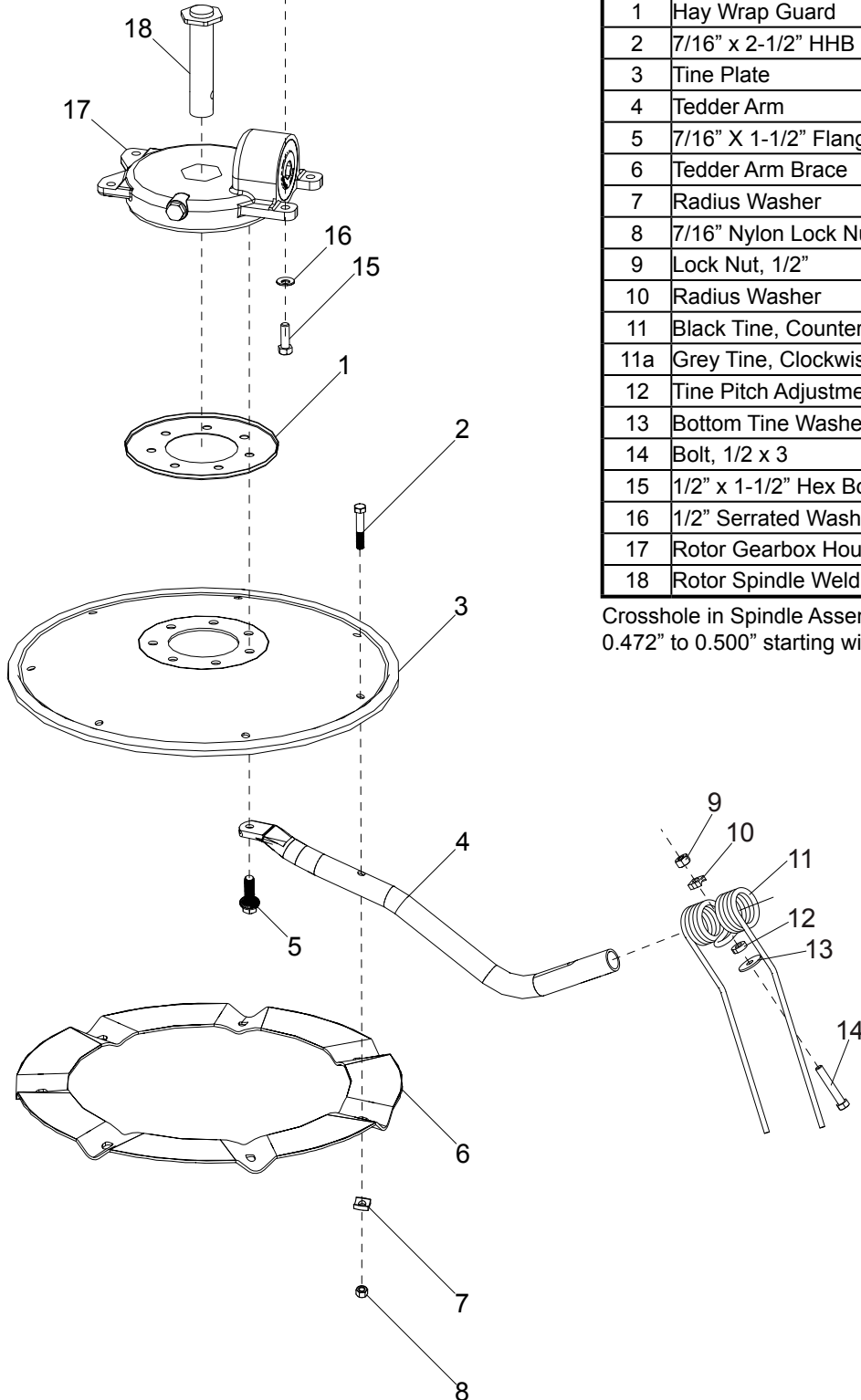
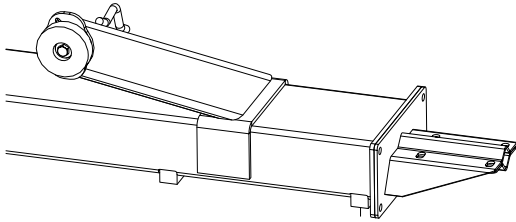
# Outer Wing Assembly



Ref#	Description	Part#	Qty
1	1" Heavy Duty Snap Ring	702883	2 per shaft
2	Machinery Bushing	300133	2 per shaft
3	Open Finger Drive	702908	4 per side
4	Finger Joint Spacer	702668	4 per side
5	Finger Joint Bearing	702613	4 per side
6	Finger Joint Bearing Holder	702877	4 per side
7	End Wing Hex Shaft	702882	1 per side
8	3/8 USS Flat Washer	001035	28 per side
9	18 Gauge Stainless Steel Shim	703170	4 per side
10	SAE 863 Iron-Copper Bushing	703535	2 per wing
11	Spiral Roll Pin	702798	2 per side
12	Grease Pin, 1.25	702725	4 per side

Ref#	Description	Part#	Qty
13	1/4" Grease Fitting	400117	4 per side
14	3/8-16 x 1.25 HHB	000275	1 per side
15	Wing Bumper	703324	1 per side
16	3/8" Nylon Locknut	003000	4 per side
17	Outer Guard	703341	2 per side
18L	Left Wing Weldment	702746	1
18R	Right Wing Weldment	702801	1
20	Guard Sleeve Weldment	703689	1 per side
21	3/8" x 1-1/4" Grade 5 Bolt	000275	4 per side
22	Outer Guard Support Pipe	703337	1 per side
23	Guard Cradle	702696	7 per side
24	Guard Pipe Connection	703340	1 per side
25	Finger and Bearing Assembly	702874	1 per outer

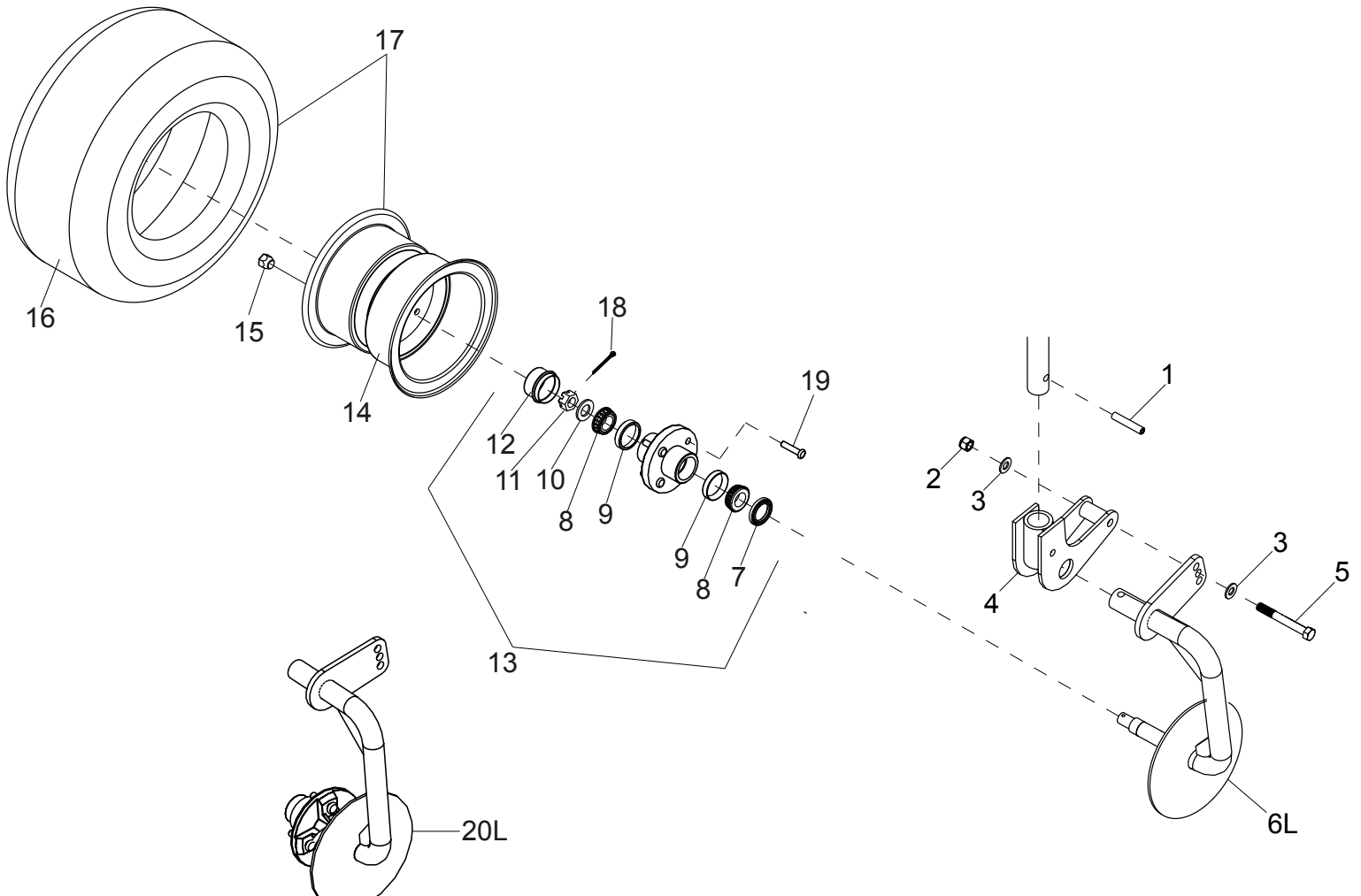
# Rotor & Tine Arm



Ref#	Description	Part#	Qty (per rotor)
1	Hay Wrap Guard	702734	1
2	7/16" x 2-1/2" HHB	000375	7
3	Tine Plate	702714	1
4	Tedder Arm	702718	7
5	7/16" X 1-1/2" Flanged HHB	000725	7
6	Tedder Arm Brace	700942	1
7	Radius Washer	701008	7
8	7/16" Nylon Lock Nut	000385	7
9	Lock Nut, 1/2"	000950	7
10	Radius Washer	701008	7
11	Black Tine, Counter Clockwise	700901	7
11a	Grey Tine, Clockwise Rotation	700929	7
12	Tine Pitch Adjustment Washer	701005	7
13	Bottom Tine Washer	701004	7
14	Bolt, 1/2 x 3	000471	7
15	1/2" x 1-1/2" Hex Bolt	000435	4
16	1/2" Serrated Washer	702821	4
17	Rotor Gearbox Housing	702600	1
18	Rotor Spindle Weldment	702674	1

Crosshole in Spindle Assembly (ID 18) was changed from 0.472" to 0.500" starting with serial number 95061.

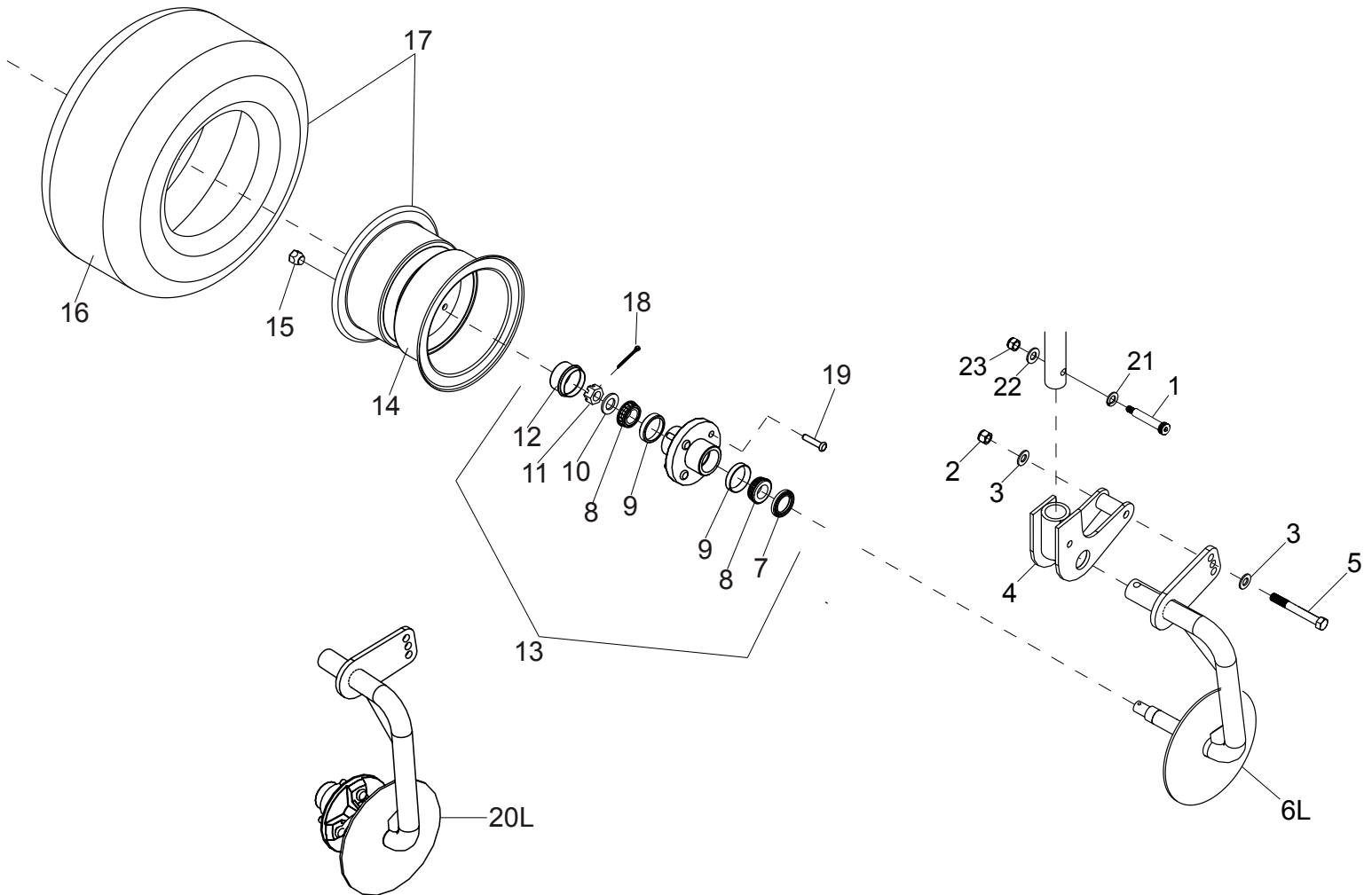
# Axle Assembly S/N -95066



Ref#	Description	Part#	Qty (per axle)
1	12 x 60 Spiral Roll Pin	702019	1
2	1/2"-13 Nylon Lock Nut	000950	1
3	1/2" SAE Flat Washer	001061	2
4	Spindle Tube Weldment	702729	1
5	1/2" -13 x 4" HHB	000490	1
6	Spindle Weldment	N/A	1
7	Wheel Cover Assembly	701002	1
8	Grease Seal	500201	1
9	Bearing, L44643	500202	2
10	Race, L44610	500204	2
11	Spindle Washer	500206	
12	Spindle Nut	500207	1

Ref#	Description	Part#	Qty (per axle)
13	Dust Cap	500209	1
14	Complete Hub	500199	1
15	4-Bolt Rim	500222	1
16	Lug Bolt (for threaded hub)	500210	4
	Stub Bolt (drive in)	508505	4
	Lug Nut (for drive in stud)	508506	4
17	Tire, 215/60-8	500221	1
18	Tire & Wheel Assembly	500220	1
19	Cotter Pin	500208	1
20L	Left Spindle and Hub Package	702912	1
20R	Right Spindle and Hub Package	702913	1

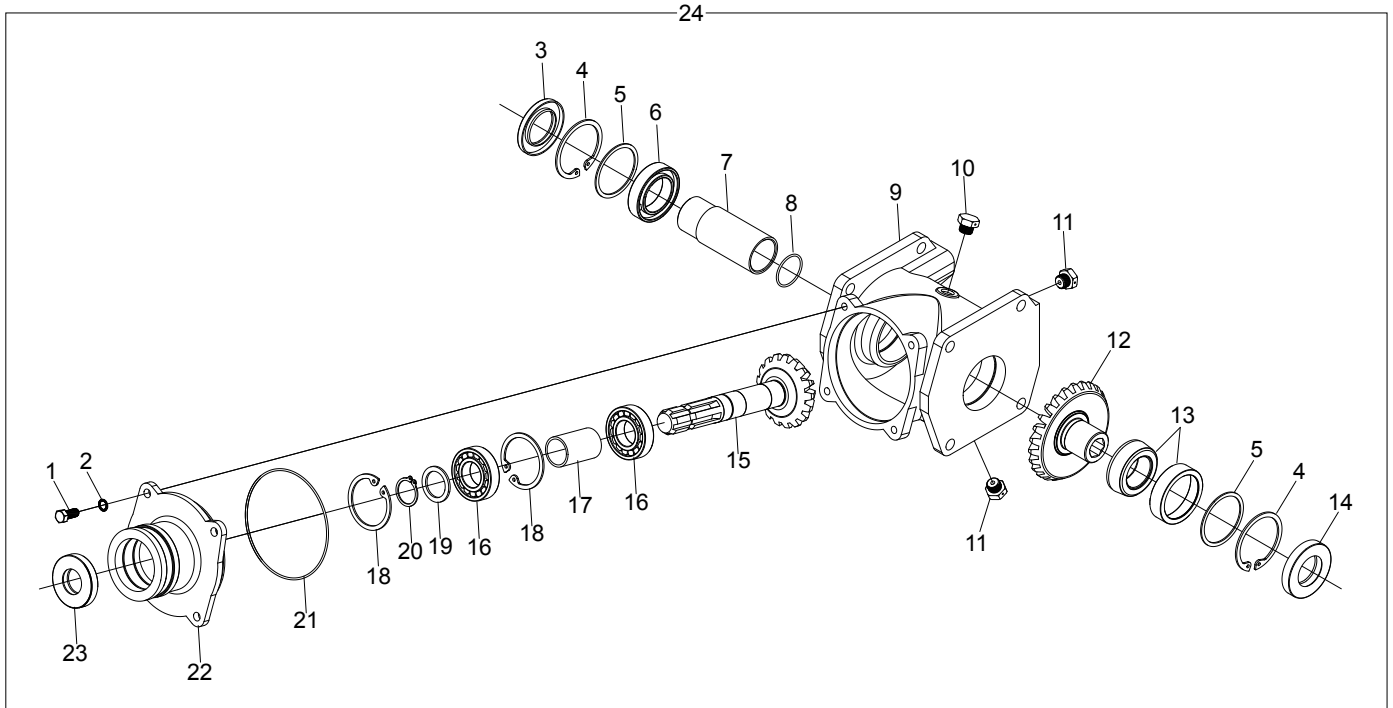
# Axle Assembly 95066+



Ref#	Description	Part#	Qty (per axle)
1	1/2" x 2-1/2 x 5/16" Shoulder Bolt	703772	1
2	1/2"-13 Nylon Lock Nut	000950	1
3	1/2" SAE Flat Washer	001061	2
4	Spindle Bracket Assembly (Bolted)	703763	1
5	1/2" -13 x 4" HHB	000490	1
6	Spindle Weldment	703761	1
7	Wheel Cover Assembly	701002	1
8	Grease Seal	500201	1
9	Bearing, L44643	500202	2
10	Race, L44610	500204	2
11	Spindle Washer	500206	1
12	Spindle Nut	500207	1
13	Dust Cap	500209	1

Ref#	Description	Part#	Qty (per axle)
14	Complete Hub	500199	1
15	4-Bolt Rim	500222	1
16	Lug Bolt (for threaded hub)	500210	4
	Stub Bolt (drive in)	508505	4
	Lug Nut (for drive in stud)	508506	4
17	Tire, 215/60-8	500221	1
18	Tire & Wheel Assembly	500220	1
19	Cotter Pin	500208	1
20L	Left Spindle and Hub Package	702912	1
20R	Right Spindle and Hub Package	702913	1
21	1/2 Lock Washer, Zinc	000840	1
22	3/8" USS Flat Washer, Zinc	001035	1
23	3/8" Nylon Lock Nut, Zinc	003000	1

# Input Gearbox Assembly

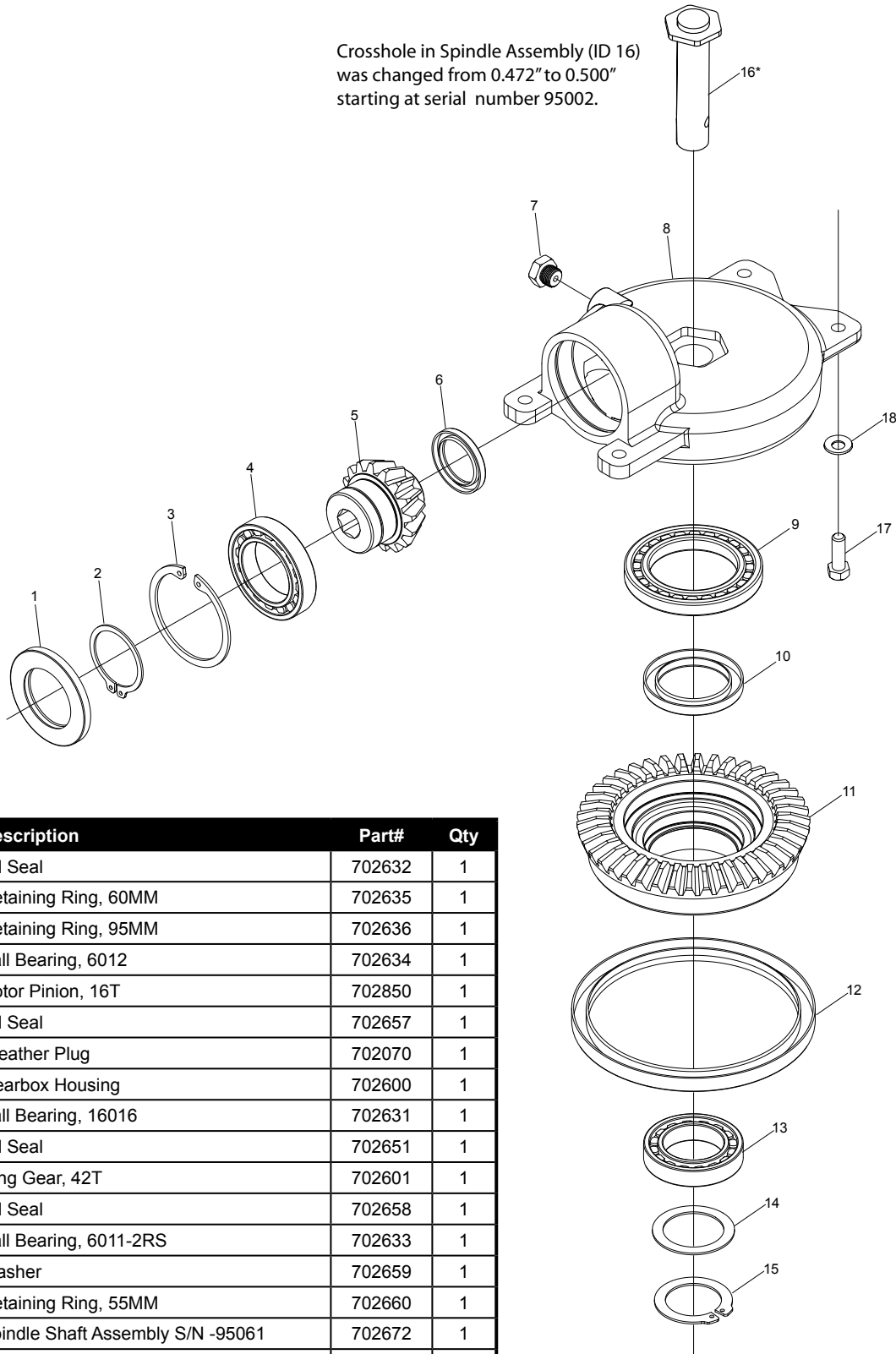


Ref#	Description	Part#	Qty
1	Bolt, 7/16 x 1 Gr. 8	000349	4
2	Safety Washer, 7/16	702663	4
3	Oil Seal	702654	1
4	Retaining Ring, 80MM	702643	2
5	Spacer Washer	702661	2
6	Ball Bearing, 6010	702638	1
7	Gear Spacer	702847	1
8	O-Ring	702646	1
9	Gearbox Housing	702615	1
10	Breather Plug	703116	1
11	Plug	703115	2
12	26T Gear	702845	1
13	Tapered Bearing Set, 33109	702841	1
14	Oil Seal	702655	1
15	Input Shaft, 17T	702647	1
16	Ball Bearing, 6207	702644	2
17	Bearing Spacer	702649	1
18	Retaining Ring, 72MM	702650	2
19	Washer	702662	1
20	Retaining Ring, 35MM	702648	1
21	O-Ring	703659	1
22	Input Shaft Housing	702645	1
23	Oil Seal	702656	1
	Complete Center Gearbox	702846	

# Rotor Gearbox Assembly

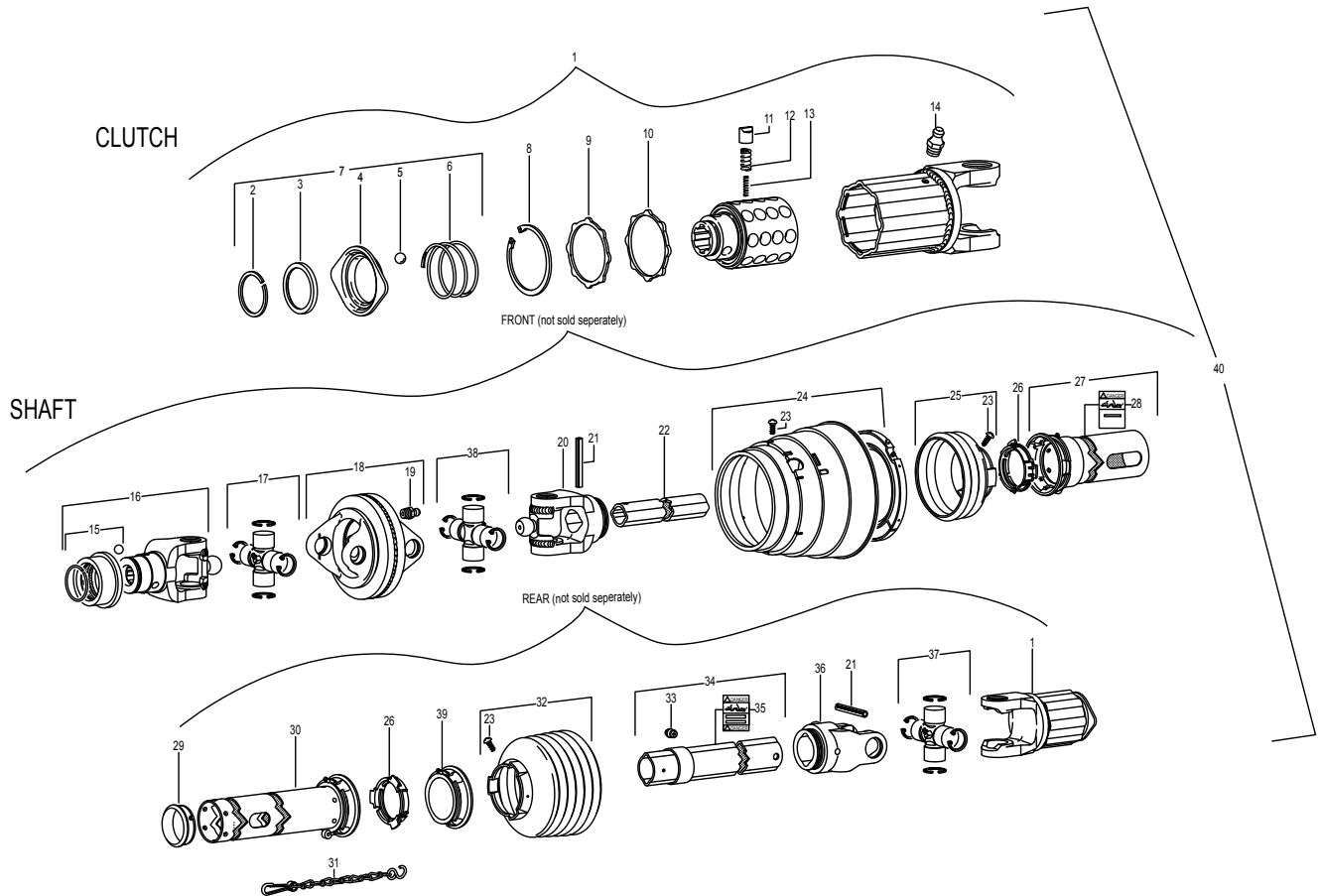


Crosshole in Spindle Assembly (ID 16) was changed from 0.472" to 0.500" starting at serial number 95002.



Ref#	Description	Part#	Qty
1	Oil Seal	702632	1
2	Retaining Ring, 60MM	702635	1
3	Retaining Ring, 95MM	702636	1
4	Ball Bearing, 6012	702634	1
5	Rotor Pinion, 16T	702850	1
6	Oil Seal	702657	1
7	Breather Plug	702070	1
8	Gearbox Housing	702600	1
9	Ball Bearing, 16016	702631	1
10	Oil Seal	702651	1
11	Ring Gear, 42T	702601	1
12	Oil Seal	702658	1
13	Ball Bearing, 6011-2RS	702633	1
14	Washer	702659	1
15	Retaining Ring, 55MM	702660	1
16a	Spindle Shaft Assembly S/N -95061	702672	1
16b	Spindle Shaft Assembly S/N 95061+	703761	1
17	1/2" x 1-1/2" Hex Bolt	000435	4
18	1/2" Serrated Washer	702821	4
	Complete Rotor Gearbox	702848	

# PTO Shaft Assemblies - Walterscheid

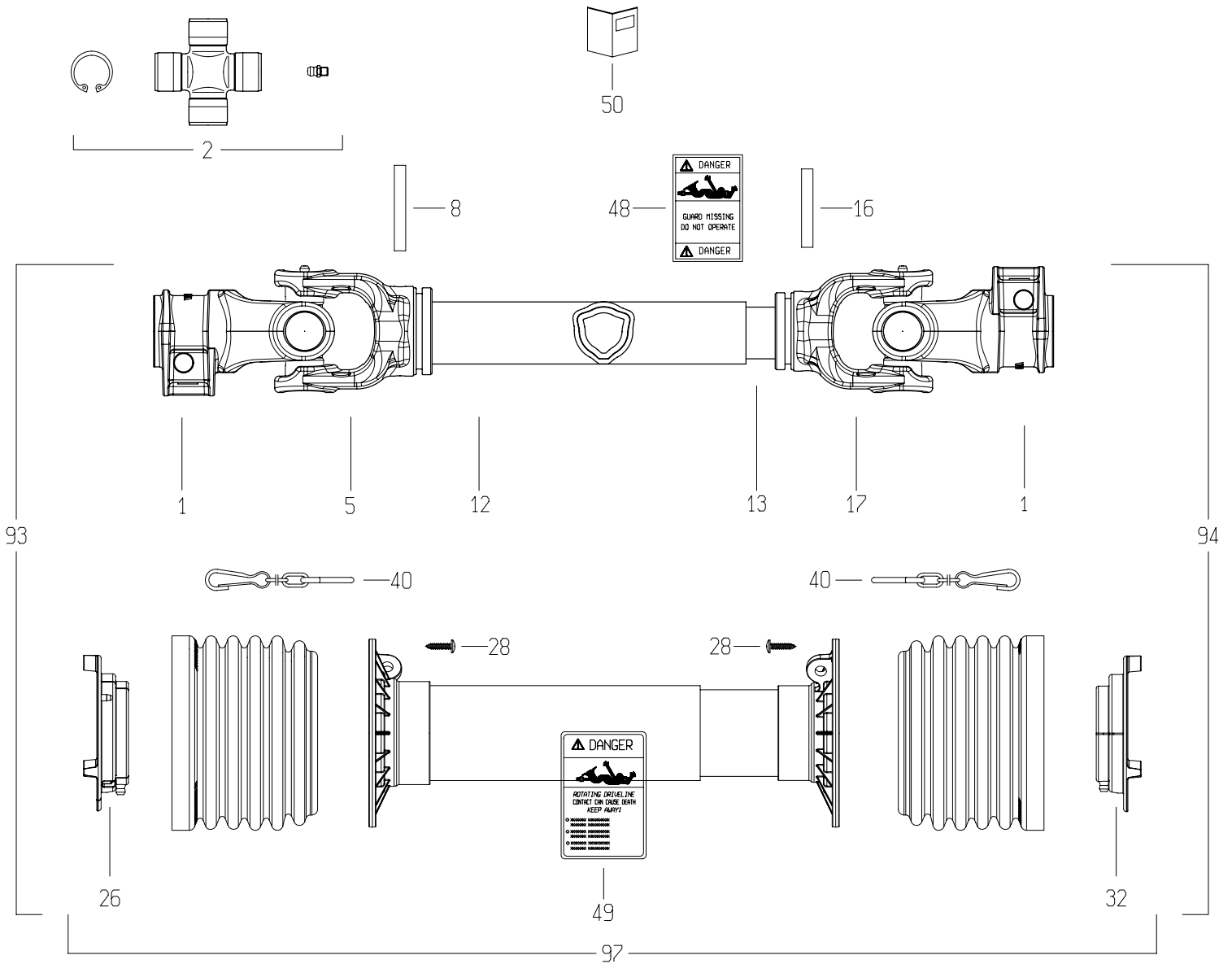


Ref#	Description	Part#
1	Radial Pin Clutch	702290
2	Retainer Ring	500048
3	Flanged Collar	500047
4	Lock Collar	500046
5	Ball	500044
6	Compression Spring	500045
7	Flange Kit	500050
8	Retainer Ring	500043
9	Thrust Ring	500042
10	Seal Ring	500041
11	Cam	500038
12	Outer Spring	500039
13	Inner Spring	500040
14	Grease Fitting	500049
15	Collar Kit	702279
16	Yoke 1-3/8" 6-Spline	702282
17	Cross & Bearing Kit	702283
18	Double Yoke	702284
19	Grease Fitting	500049
20	Inboard Yoke	702285

Ref#	Description	Part#
21	Roll Pin, M10 x 75	702254
22	Inner Profile	702286
23	Screw	500058
24	CV Cone & Bearing Assembly	702291
25	Shield Cone, 3-Rib	702292
26	Bearing Ring	702260
27	Outer Shield Tube	702293
28	Decal	500059
29	Support Bearing	702266
30	Inner Shield Tube	702294
31	Safety Chain	500060
32	Shield Cone, 6-Rib	702295
33	Grease Fitting	500062
34	Profile & Sleeve	702287
35	Decal	500061
36	Inboard Yoke	702288
37	Cross & Bearing Kit	702289
38	Cross & Bearing Kit	702298
	Reinforcing Collar (for item 32)	702296
40	Complete PTO Shaft	702097
41	PTO Shield Kit for Bondioli Shaft only	702098



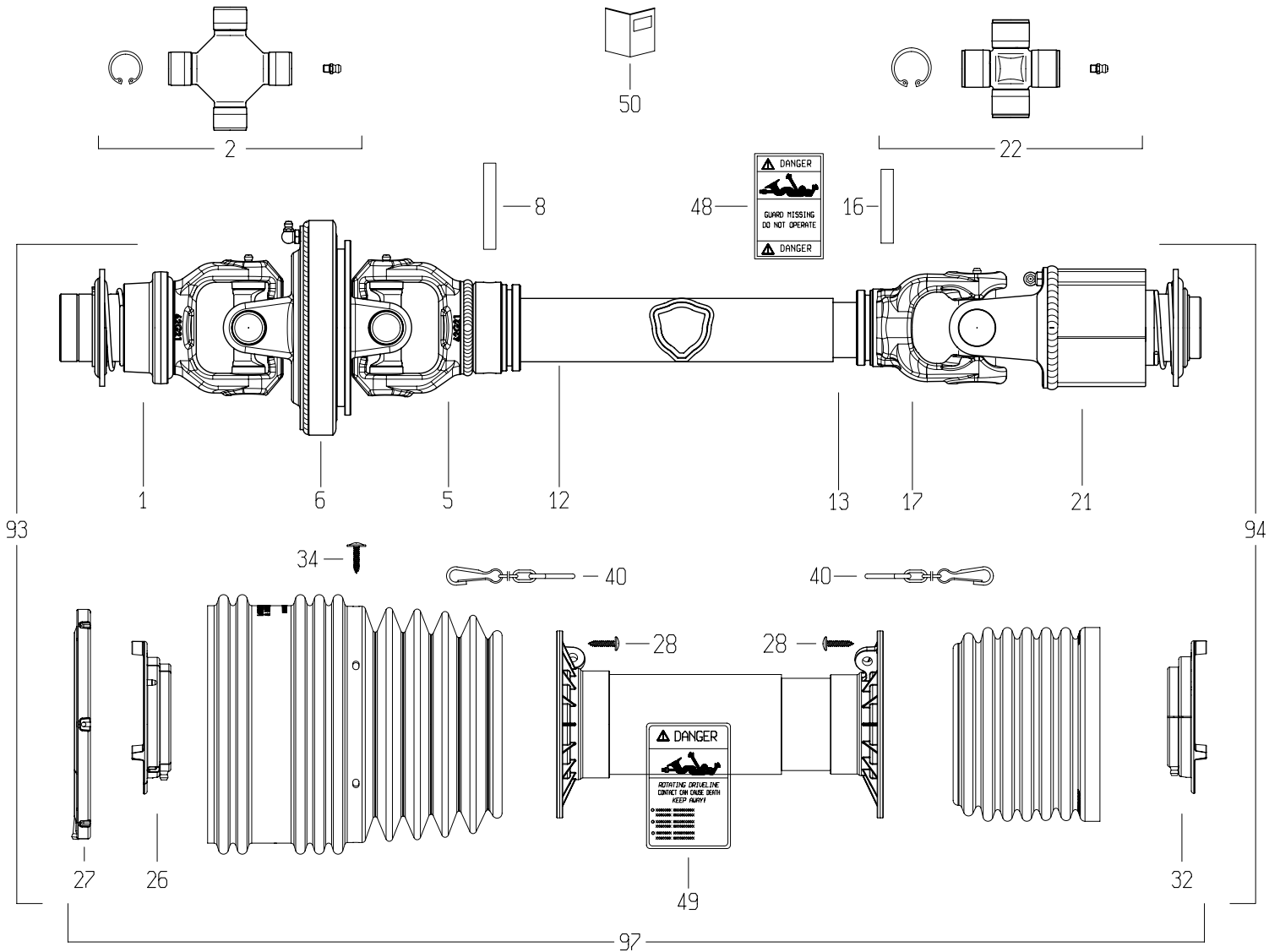
# Rear PTO Shaft Assembly - Bondioli



Ref#	Description	Part#
1	Yoke #4/S4 1-3/8"Z6 Shrouded Pin (007)	500427
2	Cross Kit S4-G4 27X74.6 Cap Zerk	500428
5	Tube Yoke #4-G4 Outer (43.5)	500429
8	Flexible Roll Pin 8X60 Din1481	500430
12	Cardan Tube Outer 12508 L=1170	703829
13	Cardan Tube Inner 12507 L=1170	703830
16	Flexible Roll Pin 8X55 Din1481	500433
17	Tube Yoke #4-G4 Inner (36.0)	500434
26	Shield Support Outer G3-G4	500436

Ref#	Description	Part#
28	Screw 4.8X22 Self Tap Zinc	500417
32	Shield Support Inner G3-G4	500437
40	Shield Chain W/S-Hook L=500Mm	500420
48	Label - Danger - Outer Drive Tube	500421
49	Label - Danger - Outer Shield Tube	500422
50	Instruction Booklet - N.america Global	500423
93	Half Shaft Cleared	703831
94	Half Shaft Cleared	703832
97	Complete Shield Kit	703833

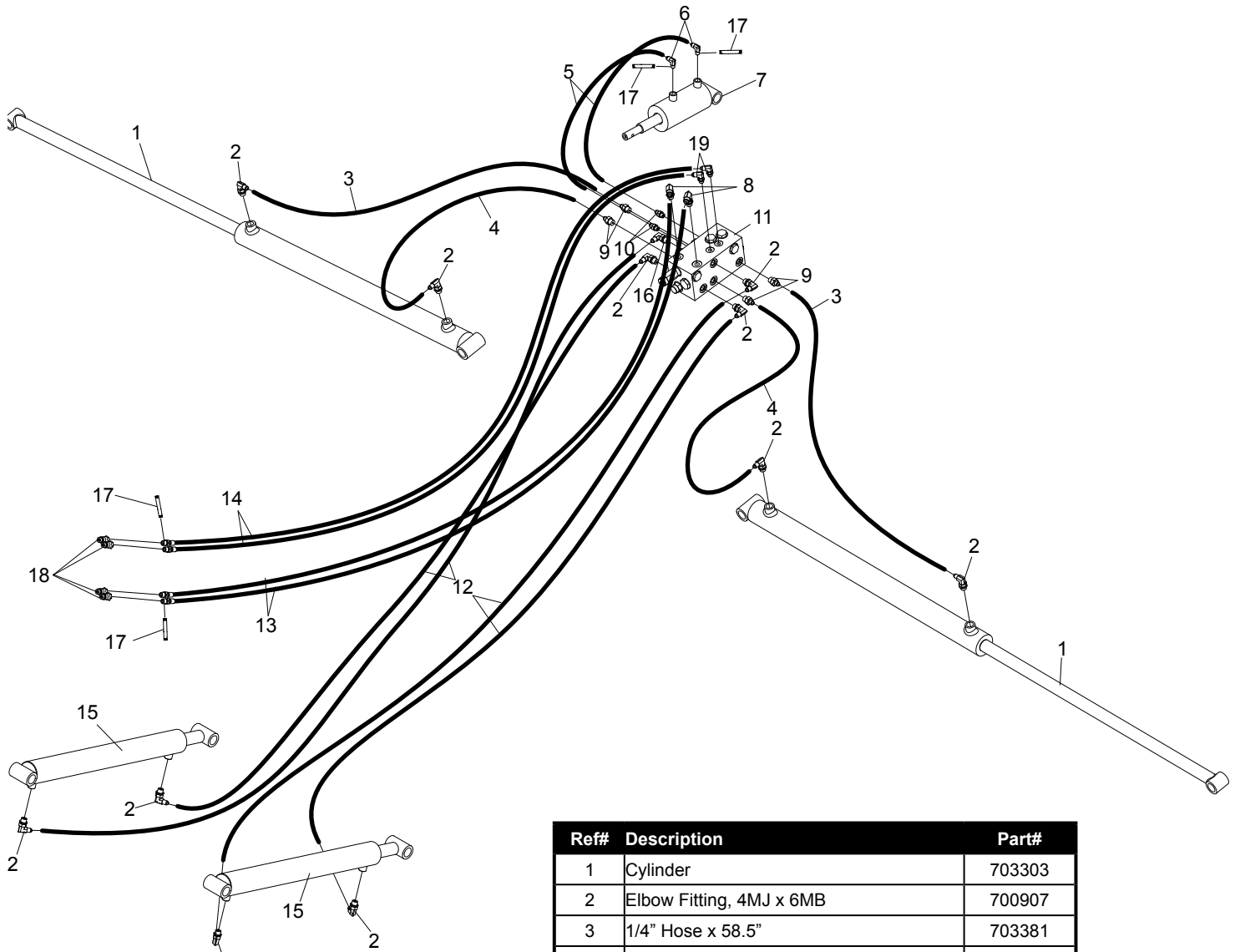
# Front PTO Shaft Assembly - Bondioli



Ref#	Description	Part#
1	Yoke S6/1R6 Rt EI 80° Cv 1-3/8" Z6 (Wr7)	703834
2	Cross Kit S6-1R6-G5-G7 EI 80° CV 27X100	703835
5	Outer Tube Yoke	703836
6	Central Body 1R6-S6-G5-G7 80° Cv Sft EI	703837
8	Flexible Roll Pin 10X70 Din1481	703838
12	Cardan Tube Outer 12520 L=700	703839
13	Cardan Tube Inner 12597 L=700 Rilsan	703840
16	Flexible Roll Pin 10X60 Din1481	703841
17	Tube Yoke #5-G5 Inner 5N7 (45.0)	703842
21	Torque Limiter	703843
22	Cross Kit S5-S6-G5 30.2X79.4 Cap Zerk	703844
26	Shield Support G5 Outer Global	703845

Ref#	Description	Part#
27	Shield Support Sft EI Cv80 S6 Cv50 S6-S8	703846
28	Screw 4.8X22 Self Tap Zinc	500417
32	Shield Support G5 Inner Global	703847
34	Screw 4.8X22 Self Tap Zinc Flange Head	503112
40	Shield Chain W/S-Hook L=500Mm	500420
48	Label - Danger - Outer Drive Tube	500421
49	Label - Danger - Outer Shield Tube	500422
50	Instruction Booklet - N.america Global	500423
93	Half Shaft Cleared	703848
94	Half Shaft Cleared	703849
97	Complete Shield Kit	703850

# Hydraulics



Ref#	Description	Part#
1	Cylinder	703303
2	Elbow Fitting, 4MJ x 6MB	700907
3	1/4" Hose x 58.5"	703381
4	1/4" Hose x 32.5"	703380
5	1/4" Hose x 15.5"	703379
6	Elbow Fitting, 4MJ x 4MP	702459
7	Tilt Cylinder	703159
8	Elbow Fitting, 6MJ x 6MB	507287
9	Straight Fitting, 4MJ x 6MB	700908
10	Straight Fitting, 4MJ x 4MB	290195
11	Manifold	702515
12	1/4" Hose x 72"	703385
13	3/8" Hose x 234"	702514
14	1/4" Hose x 234"	702450
15	2x18 Cylinder	702358
16	Long Elbow Fitting, 4MJ x 6MB	700902
17	White Nylon Tape	703483
18	Male Ag Quick Coupler	290105
19	Elbow Fitting, 4MJ x 4MB	700948