



Tradition In Progress [®]

Trailer Parts



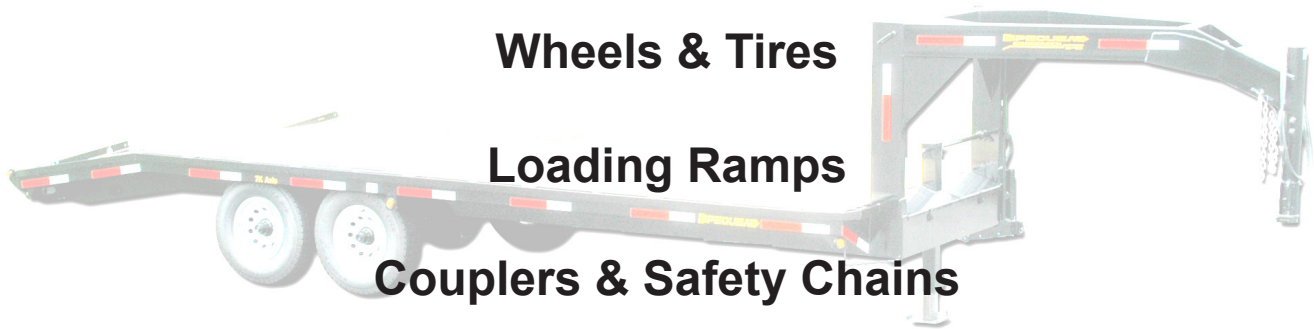
Brake Components

Axle Components

Suspensions

Lights & Electrical

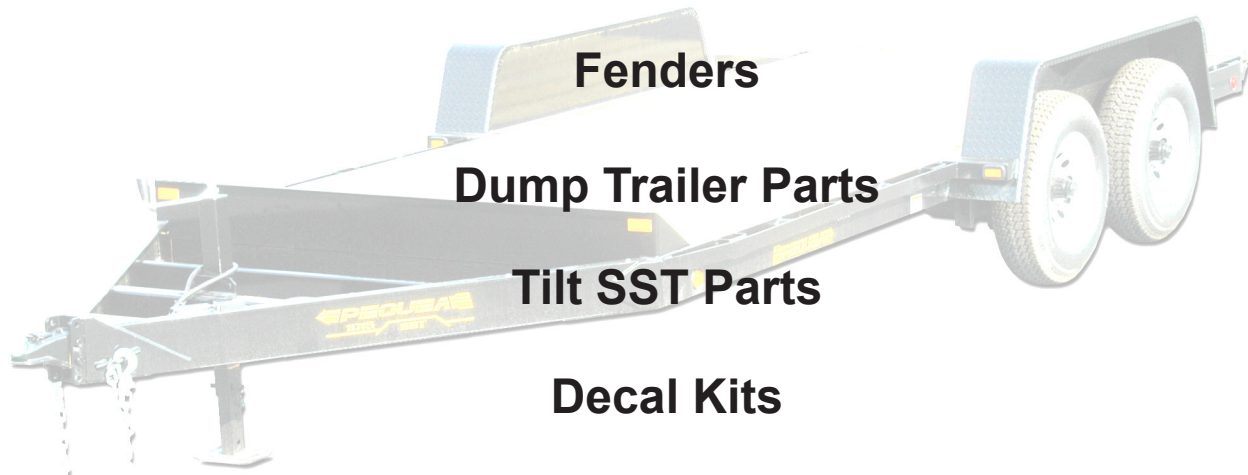
Wheels & Tires



Loading Ramps

Couplers & Safety Chains

Trailer Jacks



Fenders

Dump Trailer Parts

Tilt SST Parts

Decal Kits

Brake Components

Page #

3 Brake for 10K Axles (20,000 GVW)

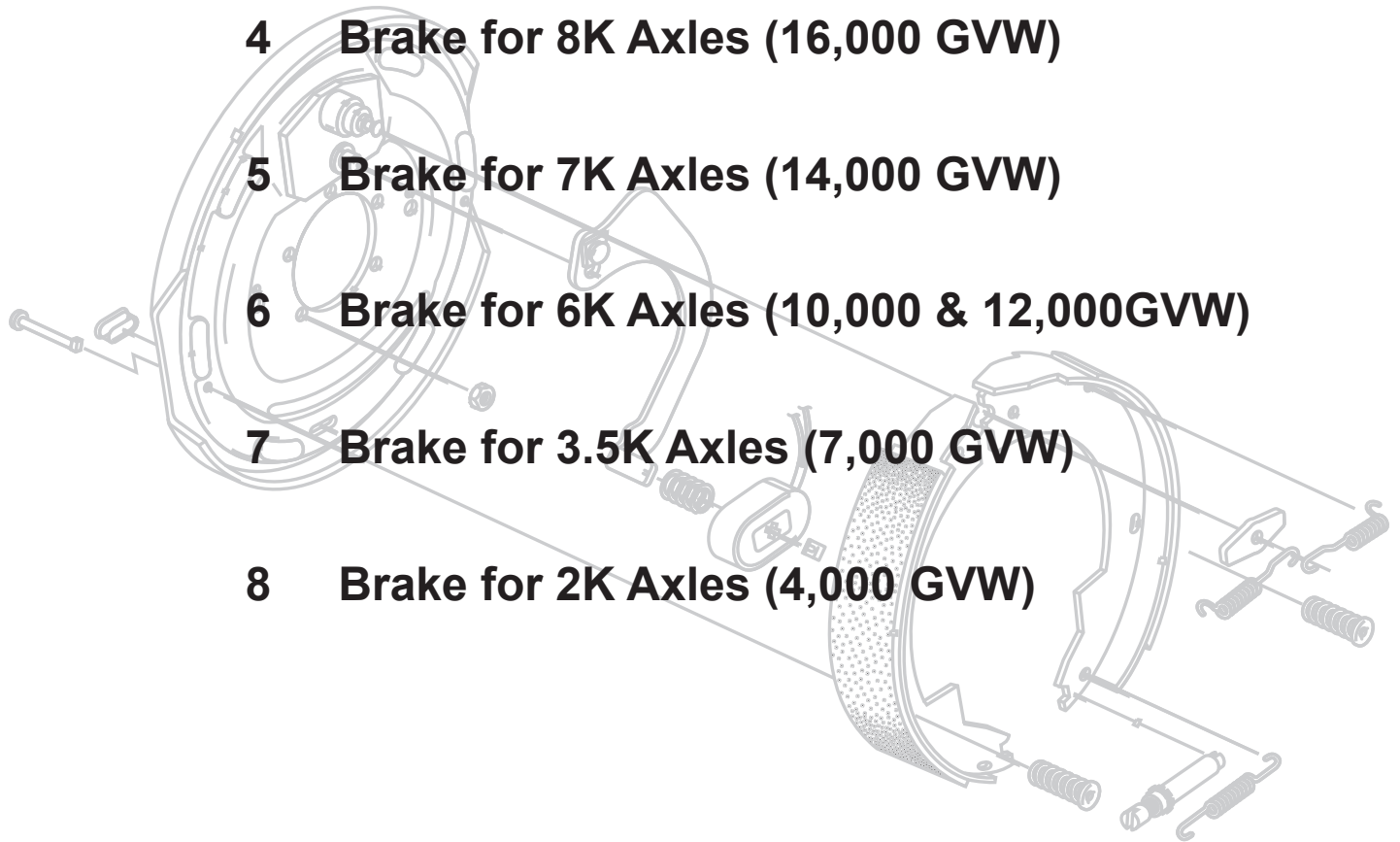
4 Brake for 8K Axles (16,000 GVW)

5 Brake for 7K Axles (14,000 GVW)

6 Brake for 6K Axles (10,000 & 12,000GVW)

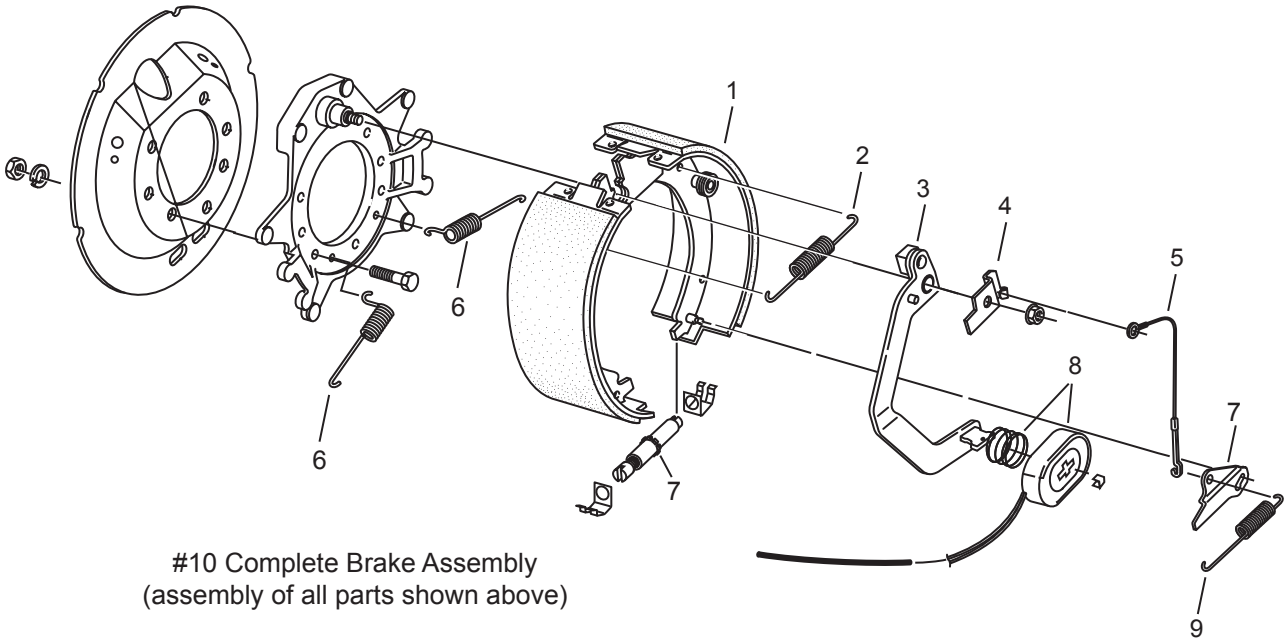
7 Brake for 3.5K Axles (7,000 GVW)

8 Brake for 2K Axles (4,000 GVW)



[Back to Main Index](#)

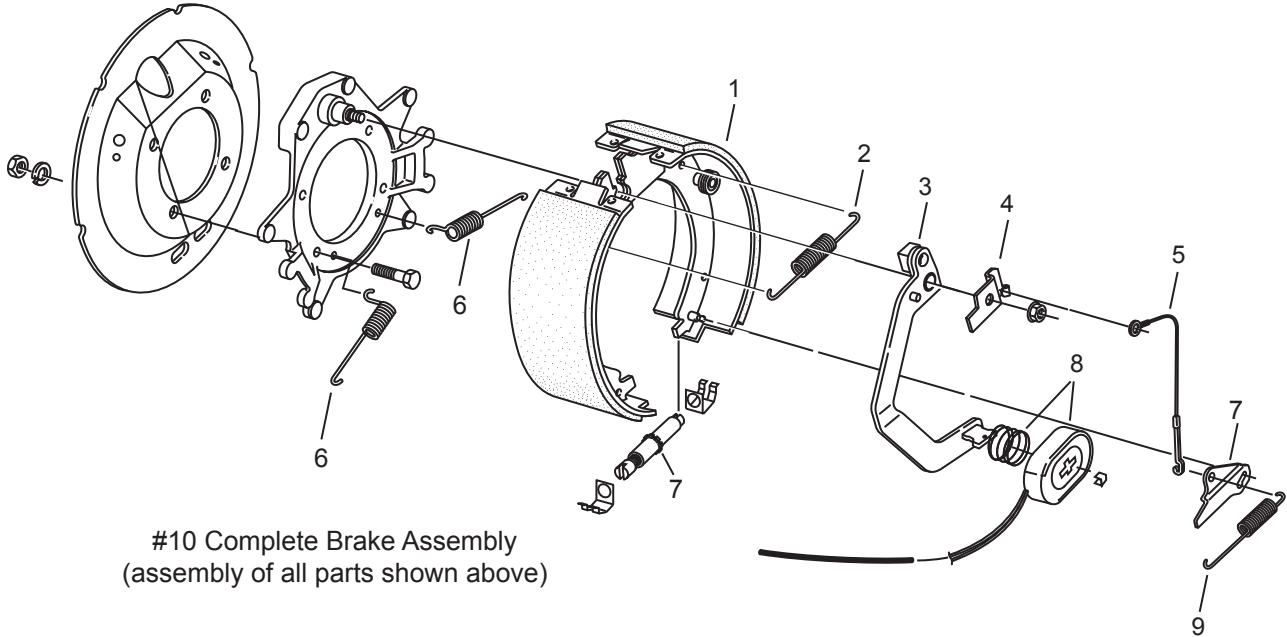
Brake Components for 10K Axle (trailers with 20,000 GVW)



#10 Complete Brake Assembly
(assembly of all parts shown above)

Ref#	Description	Part#
1	Shoe & Lining Kit, Right Hand	101372
	Shoe & Lining Kit, Left Hand	101353
2	Shoe Return Spring	101355
3	Actuating Arm, Right Hand	101371
	Actuating Arm, Left Hand	101352
4	Arm/Shoe Retainer, Right Hand	101364
	Arm/Shoe Retainer, Left Hand	101354
5	Adjuster Cable	101375
6	Shoe Centering Spring	101358
7	Adjuster & Lever, Right Hand	101374
	Adjuster & Lever, Left Hand	101357
8	Magnet Kit	101351
9	Adjuster Spring	101356
10	Complete Brake Assembly, Right Hand	101359
10	Complete Brake Assembly, Left Hand	101350

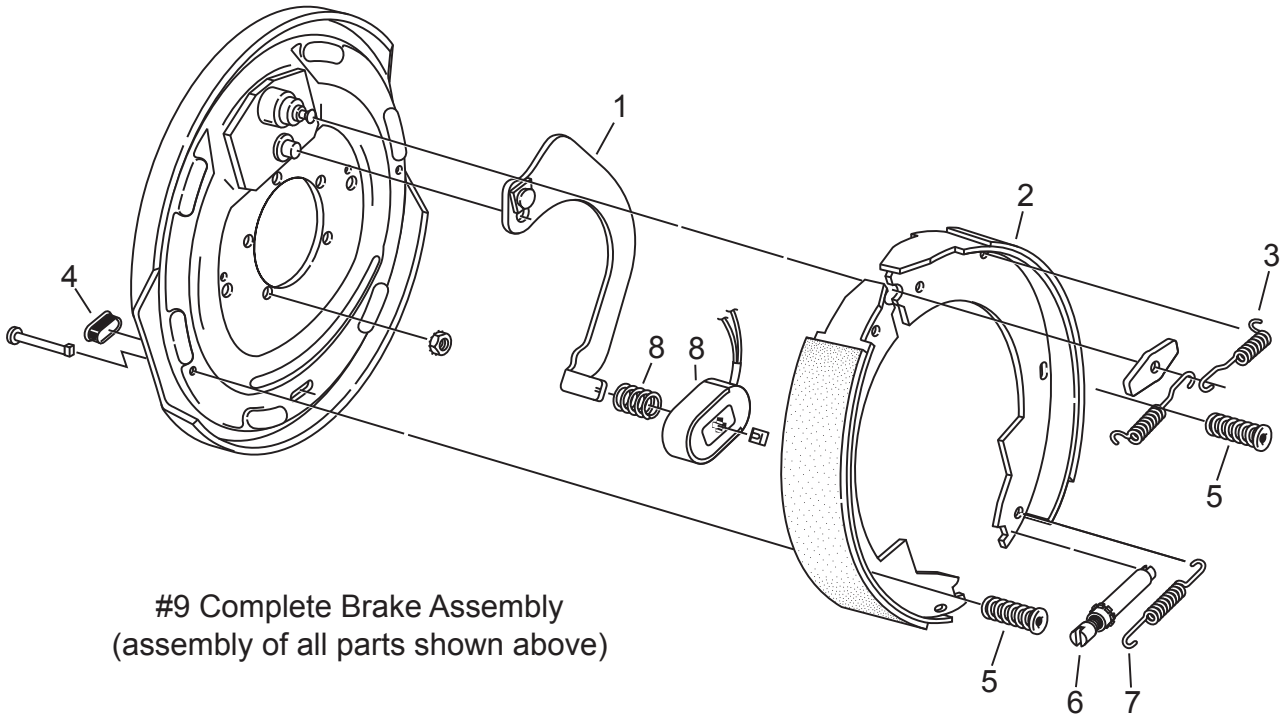
Brake Components for 8K Axle (trailers with 16,000 GVW)



#10 Complete Brake Assembly
(assembly of all parts shown above)

Ref#	Description	Part#
1	Shoe & Lining Kit, Right Hand	101372
	Shoe & Lining Kit, Left Hand	101353
2	Shoe Return Spring	101355
3	Actuating Arm, Right Hand	101371
	Actuating Arm, Left Hand	101352
4	Arm/Shoe Retainer, Right Hand	101364
	Arm/Shoe Retainer, Left Hand	101354
5	Adjuster Cable	101375
6	Shoe Centering Spring	101358
7	Adjuster & Lever, Right Hand	101374
	Adjuster & Lever, Left Hand	101357
8	Magnet Kit	101361
9	Adjuster Spring	101356
10	Complete Brake Assembly, Right Hand	101370
10	Complete Brake Assembly, Left Hand	101360

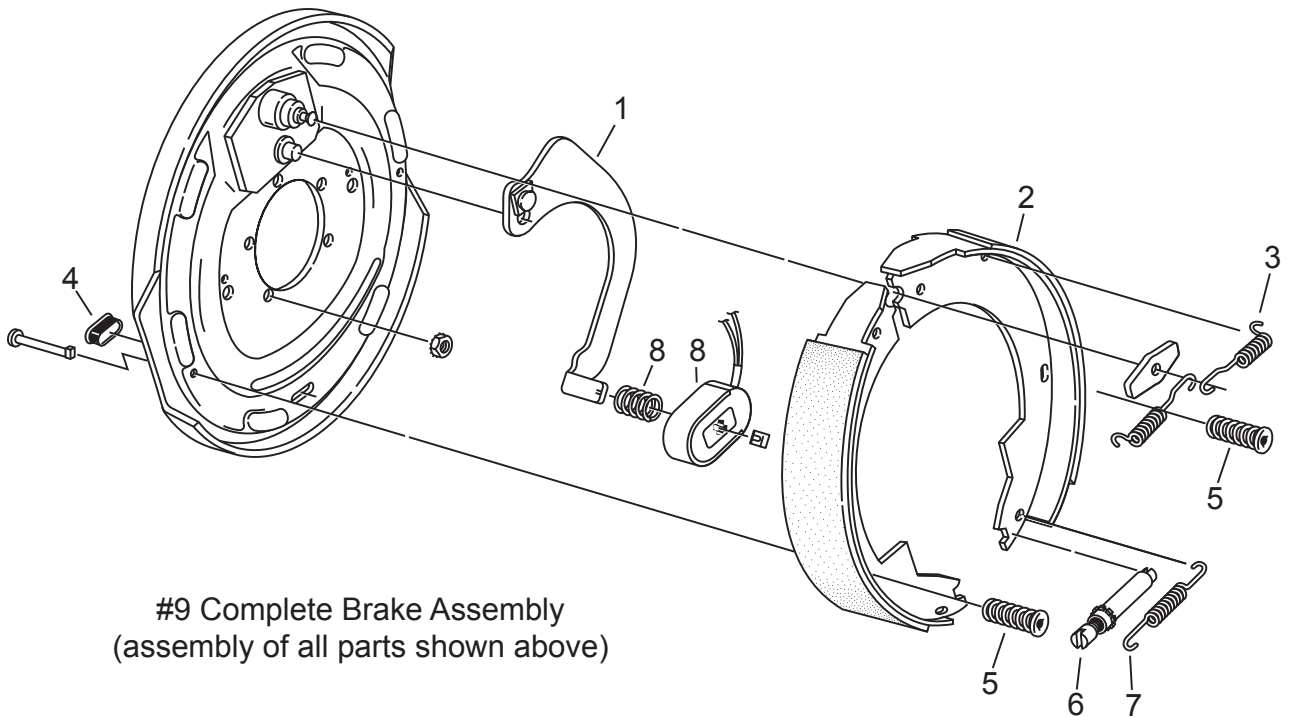
Brake Components for 7K Axle (trailers with 14,000 GVW)



#9 Complete Brake Assembly
(assembly of all parts shown above)

Ref#	Description	Part#
1	Actuating Arm, Right Hand	101385
	Actuating Arm, Left Hand	101378
2	Shoe & Lining Kit	101379
3	Shoe Return Spring	101380
4	Adjuster Dust Plug	101383
5	Shoe Hold Down Spring	101369
6	Adjuster	101382
7	Adjuster Spring	101381
8	Magnet Kit	101377
9	Complete Brake Assembly, Right Hand	101384
	Complete Brake Assembly, Left Hand	101376

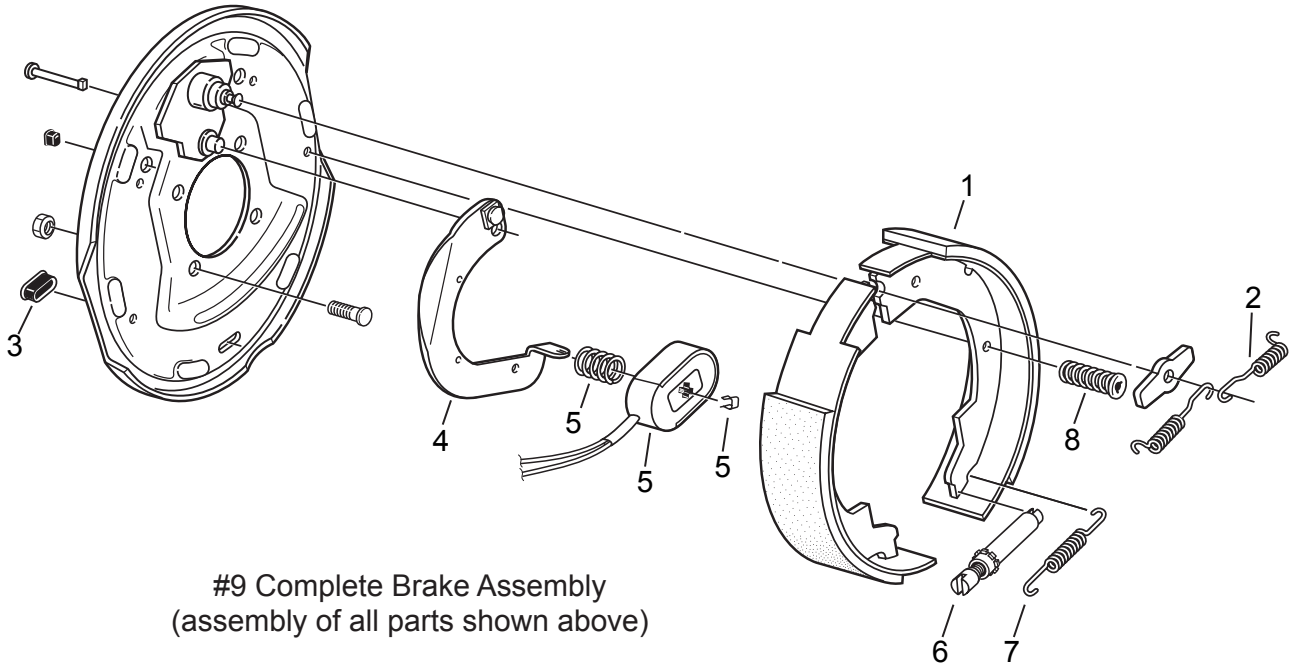
Brake Components for 6K Axle (trailers with 10,000 & 12,000 GVW)



#9 Complete Brake Assembly
(assembly of all parts shown above)

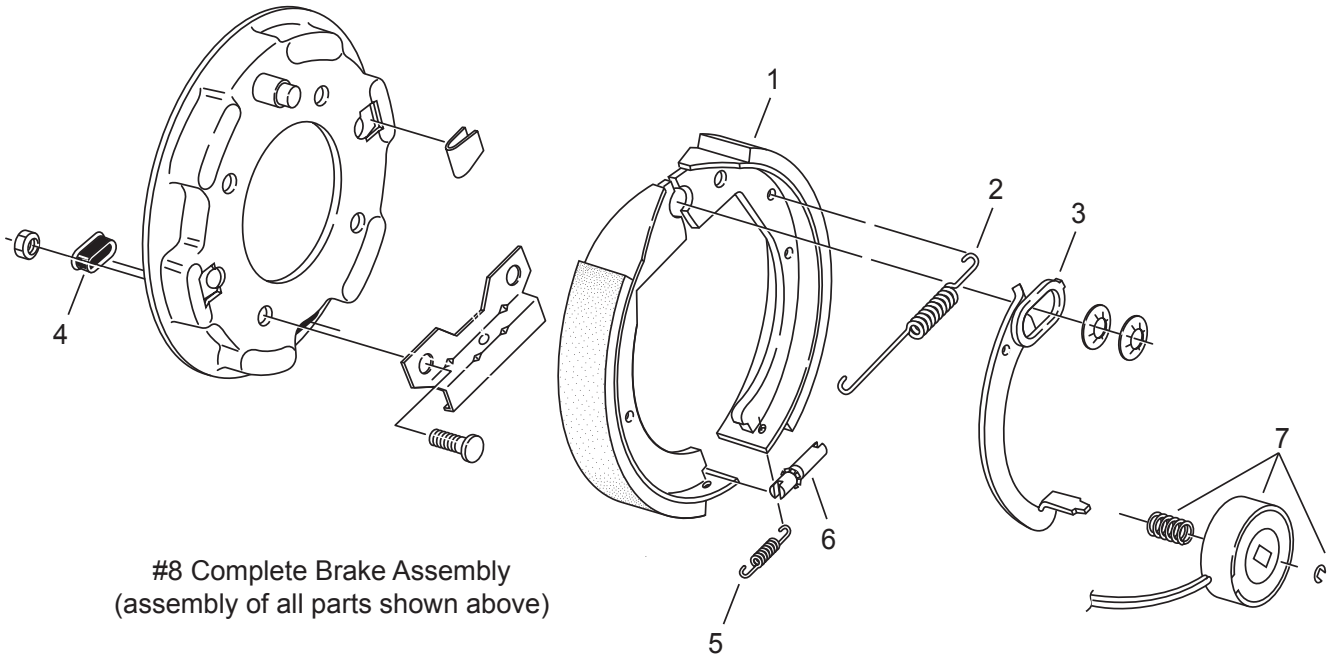
Ref#	Description	Part#
1	Actuating Arm, Right Hand	101385
	Actuating Arm, Left Hand	101378
2	Shoe & Lining Kit	101379
3	Shoe Return Spring	101380
4	Adjuster Dust Plug	101383
5	Shoe Hold Down Spring	101369
6	Adjuster	101382
7	Adjuster Spring	101381
8	Magnet Kit	101377
9	Complete Brake Assembly, Right Hand	101384
	Complete Brake Assembly, Left Hand	101376

Brake Components for 3.5K Axle (trailers with 7,000 GVW)



Ref#	Description	Part#
1	Shoe & Lining Kit	101393
2	Shoe Return Spring	101380
3	Adjuster Dust Plug	101383
4	Actuating Arm, Right Hand	101362
	Actuating Arm, Left Hand	101392
5	Magnet Kit	101391
6	Adjuster	101382
7	Adjuster Spring	101381
8	Shoe Hold Down Spring	101394
9	Complete Brake Assembly, Right Hand	101395
	Complete Brake Assembly, Left Hand	101390


Brake Components for 2K Axle (trailers with 4,000 GVW)



Ref#	Description	Part#
1	Shoe & Lining Kit	101400
2	Shoe Return Spring	101402
3	Actuating Arm, Right Hand	101406
	Actuating Arm, Left Hand	101399
4	Adjuster Dust Plug	101383
5	Adjuster Spring	101403
6	Adjuster	101404
7	Magnet Kit	101398
8	Complete Brake Assembly, Right Hand	101405
	Complete Brake Assembly, Left Hand	101397

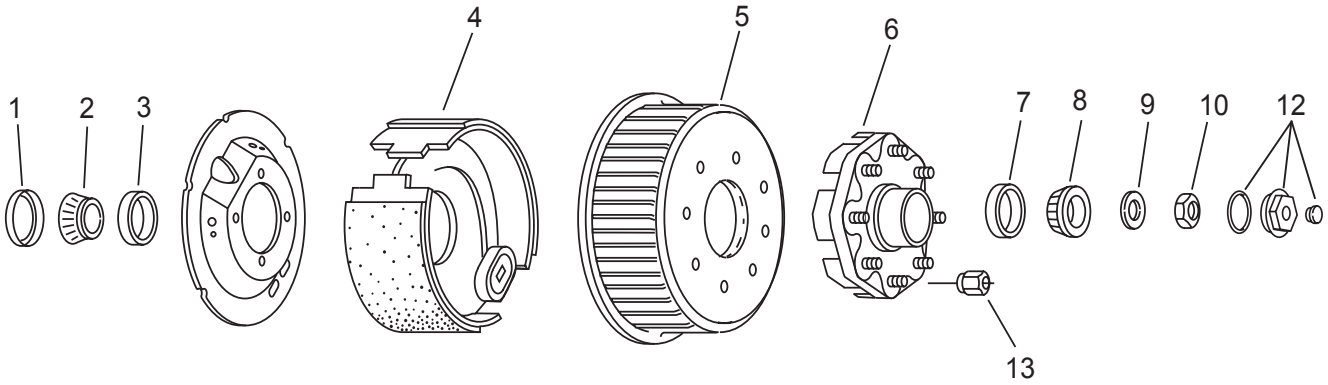
Axle Components

Page

- 
- 10 8-Bolt Hub & Drum (20,000 GVW)
 - 11 8-Bolt Hub & Drum (16,000 GVW)
 - 12 8-Bolt Hub & Drum (12,000 & 14,000 GVW)
 - 13 6-Bolt Hub & Drum (10,000 GVW)
 - 14 5-Bolt Hub & Drum (7,000 GVW)
 - 15 5-Bolt Hub & Drum (4,000 GVW)
 - 16 5-Bolt Hub - No Brakes (3,500 GVW)
 - 17 5-Bolt Hub - No Brakes (2,000 GVW)
 - 18 Complete Axle Assemblies

[Back to Main Index](#)

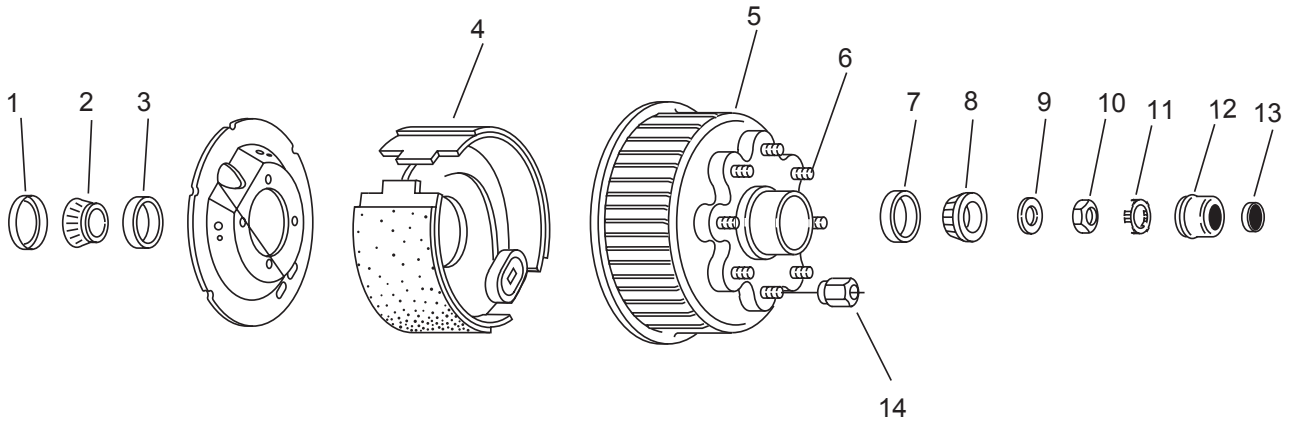
Hub & Drum Assembly for 10K Axle (tandem axle trailers with 20,000 GVW)



Ref#	Description	Part#
1	Oil Seal	101430
2	Inner Bearing	101426
3	Inner Race	101428
4	Brake Assembly, Right Hand	101359
	Brake Assembly, Left Hand	101350
5	Brake Drum	101424
6	8-Bolt Hub	101423
7	Outer Race	101429
8	Outer Bearing	101427
9	Spindle Washer	101159
10	Spindle Nut	101160
12	Oil Cap Kit	101431
13	Flanged Lug Nut	101449

Back to Section Index

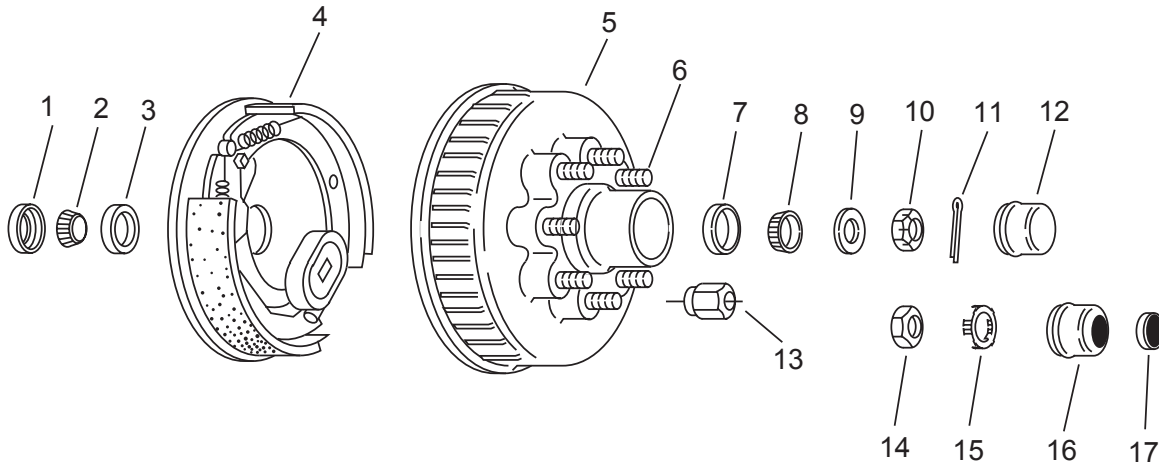
Hub & Drum Assembly for 8K Axle (tandem axle trailers with 16,000 GVW)



Ref#	Description	Part#
1	Grease Seal	101454
2	Inner Bearing	101427
3	Inner Race	101429
4	Brake Assembly, Right Hand	101370
	Brake Assembly, Left Hand	101360
5	Hub & Drum	101442
6	Stud Bolt	101435
7	Outer Race	101444
8	Outer Bearing	101443
9	Spindle Washer	101545
10	Spindle Nut	101486
11	Spindle Nut Retainer	101145
12	Grease Cap	101455
13	Grease Cap Plug	155400
14	Lug Nut	101449

[Back to Section Index](#)

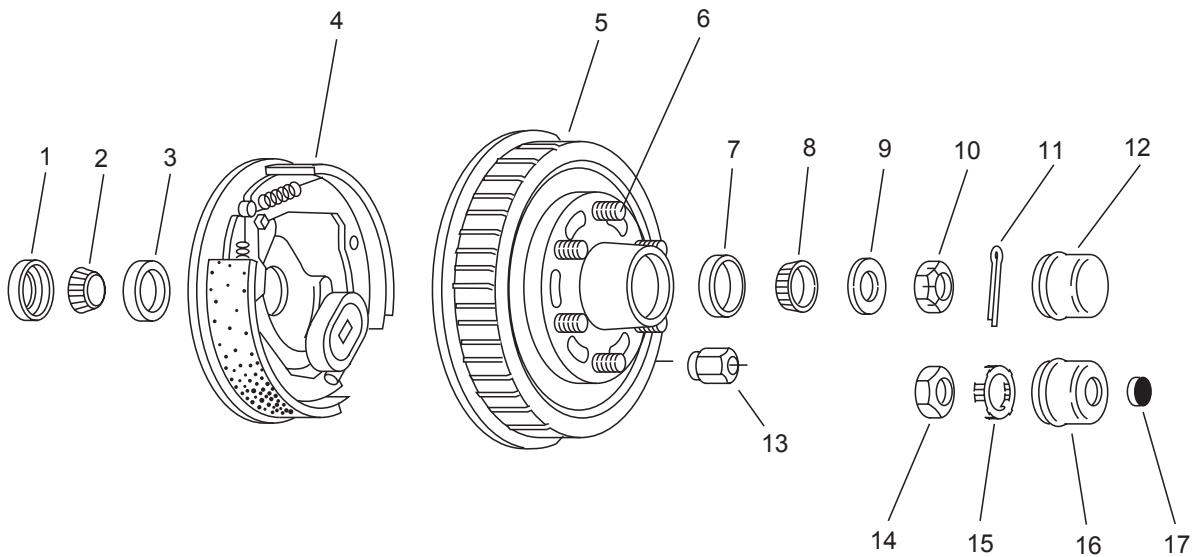
Hub & Drum Assembly for 6K & 7K Axle (tandem axle trailers with 12,000 & 14,000 GVW)



Ref#	Description	Part#
1	Grease Seal	101454
2	Inner Bearing	101427
3	Inner Race	101429
4	Brake Assembly, Right Hand	101384
	Brake Assembly, Left Hand	101376
5	Hub & Drum, 8-Bolt	101451
6	Stud Bolt, 1/2 x 2-1/2	101027
7	Outer Race	101453
8	Outer Bearing	101452
9	Spindle Washer	101545
10	Slotted Spindle Nut	101440
11	Cotter Pin	300282
12	Grease Cap, non EZ Lube	N/A
13	Lug Nut	101458
14	Spindle Nut	101486
15	Spindle Nut Retainer	101145
16	Grease Cap, EZ Lube	101455
17	Grease Cap Plug	155400

[Back to Section Index](#)

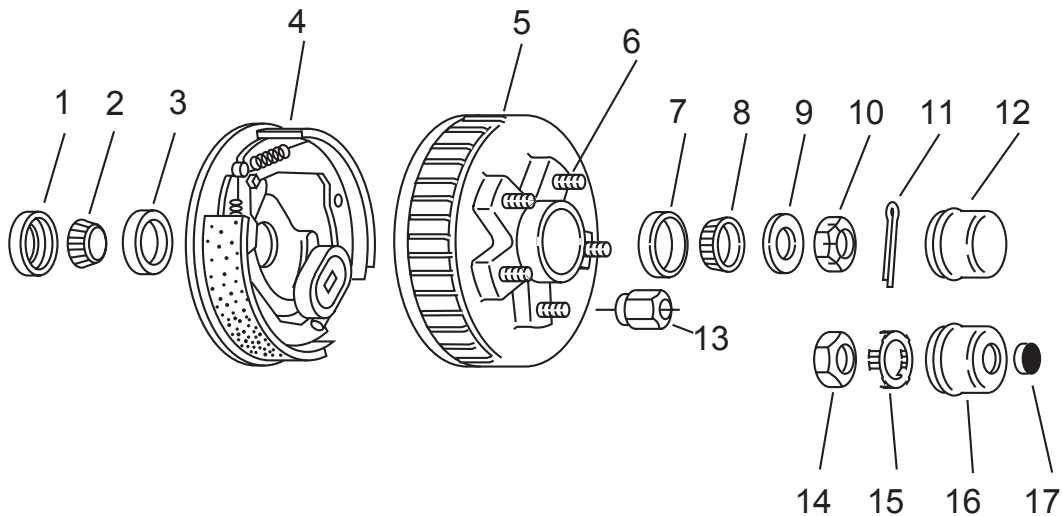
Hub & Drum Assembly for 6K Axle (tandem axle trailers with 10,000 GVW)



Ref#	Description	Part#
1	Grease Seal	101454
2	Inner Bearing	101427
3	Inner Race	101429
4	Brake Assembly, Right Hand	101384
	Brake Assembly, Left Hand	101376
5	Hub & Drum, 6-Bolt	101460
6	Stud Bolt, 1/2 x 2-1/2	101027
7	Outer Race	101461
8	Outer Bearing	101536
9	Spindle Washer	101545
10	Slotted Spindle Nut	101440
11	Cotter Pin, 5/32 x 1-3/4	300282
12	Grease Cap, non EZ Lube	101465
13	Lug Nut	101458
14	Spindle Nut	101486
15	Spindle Nut Retainer	101145
16	Grease Cap, EZ Lube	101462
17	Grease Cap Plug	155400

[Back to Section Index](#)

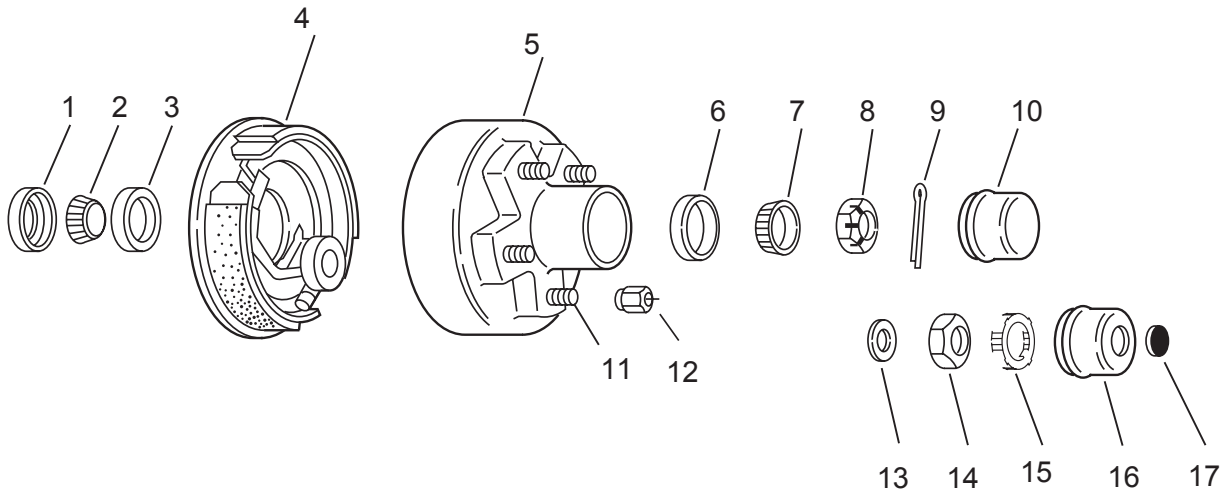
Hub & Drum Assembly for 3.5K Axle (tandem axle trailers with 7,000 GVW)



Ref#	Description	Part#
1	Grease Seal	101472
2	Inner Bearing	101468
3	Inner Race	101470
4	Brake Assembly, Right Hand	101395
	Brake Assembly, Left Hand	101390
5	Hub & Drum, 5-Bolt	101467
6	Stud Bolt	101457
7	Outer Race	101471
8	Outer Bearing	101469
9	Spindle Washer	101545
10	Slotted Spindle Nut	101440
11	Cotter Pin, 5/32 x 1-3/4	300282
12	Grease Cap, non EZ Lube	101476
13	Lug Nut	101458
14	Spindle Nut	101486
15	Spindle Nut Retainer	101145
16	Grease Cap, EZ Lube	101473
17	Grease Cap Plug	155400

[Back to Section Index](#)

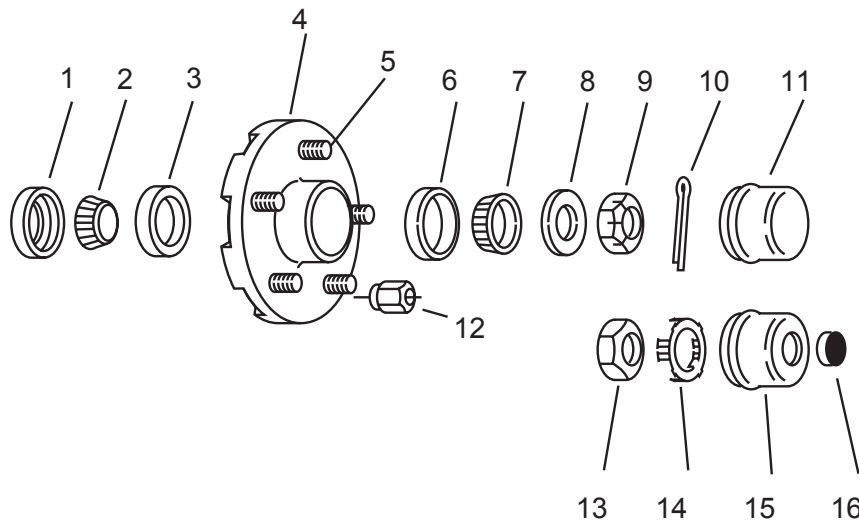
Hub & Drum Assembly for 2K Axle (tandem axle trailers with 4,000 GVW)



Ref#	Description	Part#
1	Grease Seal	101479
2	Inner Bearing	101469
3	Inner Race	101471
4	Brake Assembly, Right Hand	101405
	Brake Assembly, Left Hand	101397
5	Hub & Drum, 5-Bolt	101478
6	Outer Race	101471
7	Outer Bearing	101469
8	Slotted Spindle Nut	101440
9	Cotter Pin, 5/32 x 1-3/4	300282
10	Grease Cap, non EZ Lube	101476
11	Stud Bolt	101480
12	Lug Nut	101458
13	Spindle Washer	101545
14	Spindle Nut	101486
15	Spindle Nut Retainer	101145
16	Grease Cap, EZ Lube	101473
17	Grease Cap Plug	155400

Back to Section Index

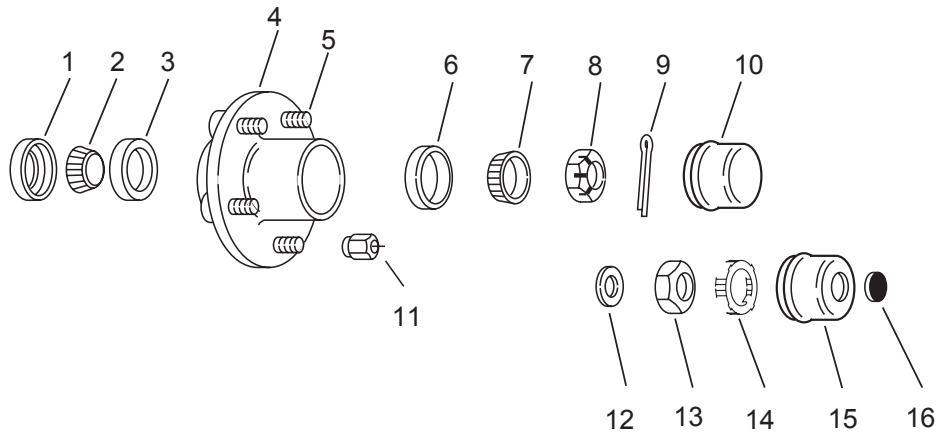
Hub Assembly for 3.5K Axle (single axle trailers with 3,500 GVW)



Ref#	Description	Part#
1	Grease Seal	101472
2	Inner Bearing	101468
3	Inner Race	101470
4	Hub, 5-Bolt	101482
5	Stud Bolt	101457
6	Outer Race	101471
7	Outer Bearing	101469
8	Spindle Washer	101545
9	Slotted Spindle Nut	101440
10	Cotter Pin, 5/32 x 1-3/4	300282
11	Grease Cap, non EZ Lube	101476
12	Lug Nut	101458
13	Spindle Nut	101486
14	Spindle Nut Retainer	101145
15	Grease Cap, EZ Lube	101473
16	Grease Cap Plug	155400

[Back to Section Index](#)

Hub Assembly for 2K Axle (single axle trailers with 2,000 GVW)



Ref#	Description	Part#
1	Grease Seal	101479
2	Inner Bearing	101469
3	Inner Race	101471
4	Hub, 5-Bolt	102195
5	Stud Bolt	101480
6	Outer Race	101471
7	Outer Bearing	101469
8	Slotted Spindle Nut	101440
9	Cotter Pin, 5/32 x 1-3/4	300282
10	Grease Cap, non EZ Lube	101476
11	Lug Nut	101458
12	Spindle Washer	101545
13	Spindle Nut	101486
14	Spindle Nut Retainer	101145
15	Grease Cap, EZ Lube	101473
16	Grease Cap Plug	155400

Back to Section Index

Complete Axle Assemblies

Trailer Model	Spring Axle Complete	Axle Beam w/ Spindles	Torsion Axle Complete
510	100776	101305	101564
610	100807	101310	102146
612S	100807	101310	102146
612T	100813	101313	102147
614T	100813	101313	102147
616T	100813	101313	102147
618T	100813	101313	102147
620T	100813	101313	102147
8012S	102500	101309	102510
8012T	102501	101309	102511
8014T	102501	101309	102511
8016T	102501	101309	102511
8018T	102501	101309	102511
8020T	102501	101309	102511
C-500 3.5k	102332	101318	N/A
C-500 5k	102333	101302	N/A
C-1500	102243	101317	N/A
C-2500 6k	100088	101320	100094
C2500 6k 8-bolt	100089	101320	100095
C2500 7k	100090	101320	100096
MP16	102018	101315	N/A
MP18	102018	101315	N/A
T-100 6k	100088	101320	100094
T-100 6k 8-Bolt	100089	101320	100095
T-100 7k	100090	101320	100096
T-200 6k	100088	101320	100094
T-200 6k 8-bolt	100089	101320	100095
T-200 7k	100090	101320	100096
T-200 8k	103318	101320	103891
SST 6k	100088	101320	100094
SST 6k 8-bolt	100090	101320	100095
SST 7k	100090	101320	100096
SST 8k	103318	101320	
716DO 3.5k	100681	101314	100697
716DO 5k	100701	101316	100705
1018DO 6k	100246	101319	100252
1018DO 6k 8-bolt	100247	101319	100253
1018DO 7k	100248	101319	100254
I-10	N/A	N/A	102219
G-10 6k	100246	101319	100252
G-10 6k 8-bolt	100247	101319	100253
G-12	100248	101319	100254
G-14	100248	101319	100254
G-16	100551	101322	102148

[Back to Section Index](#)

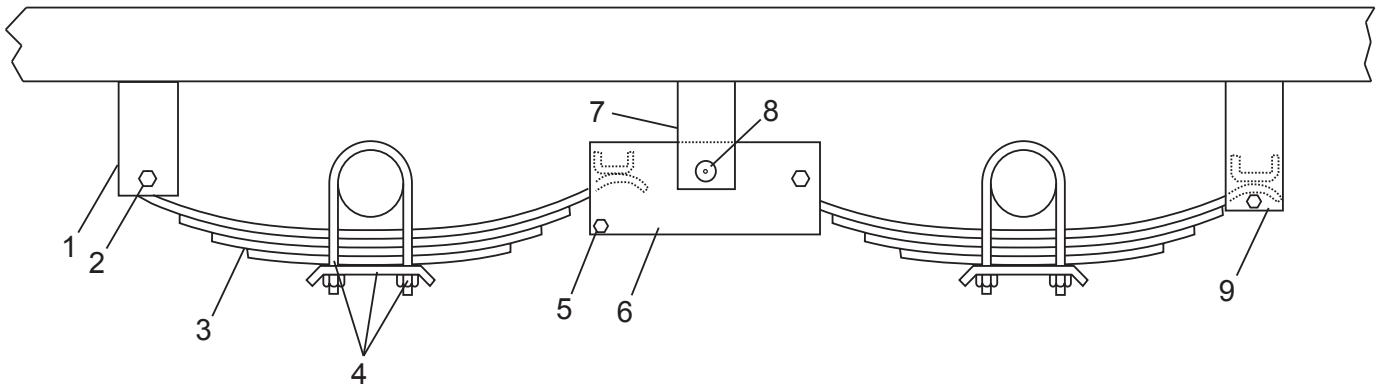
Suspension Components

Page

- 
- 
- 20 8k Tandem Axle (16,000 GVW)**
 - 21 7k Tandem Axle (14,000 GVW)**
 - 22 6k 8-bolt Tandem Axle (12,000 GVW)**
 - 23 5k & 6k Tandem Axle (10,000 GVW)**
 - 24 3.5k Tandem Axle (7,000 GVW)**
 - 25 2k Tandem Axle (4,000 GVW)**
 - 26 5k Single Axle (5,000 GVW)**
 - 27 3.5k Single Axle (3,500 GVW)**
 - 28 2k Single Axle (2,000 GVW)**

[Back to Main Index](#)

Suspension for 8k Axle (tandem axle trailers with 16,000 GVW)

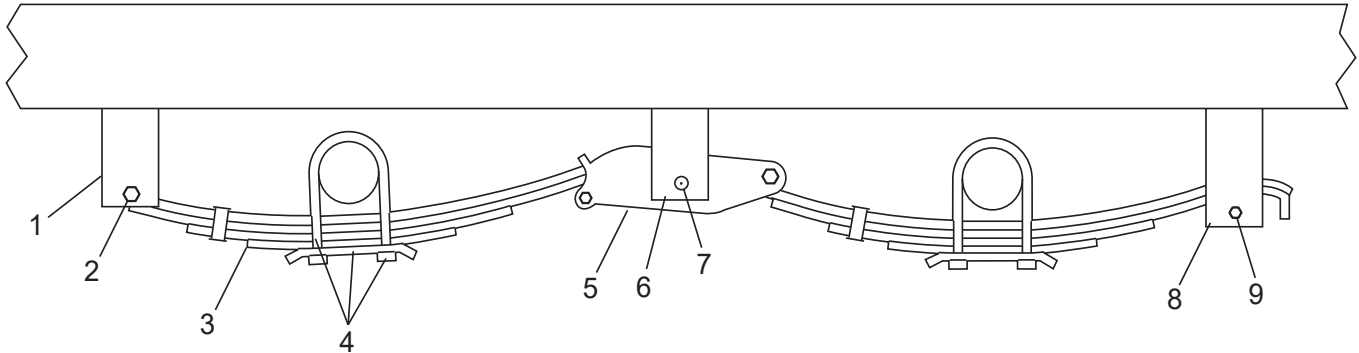


#10 Plastic spring bushing - not shown

Ref#	Description	Part#	Qty.
1	Front Axle Hanger	103016	2
2	Spring Bolt, 9/16 x 3-1/2	101808	4
2a	Locknut, 9/16	101809	4
3	Slipper Spring, 8 Leaves	101496	4
4	U-Bolt Kit	101535	4
5	Spring Bolt, 5/16 x 3-1/4	101806	4
5a	Locknut, 5/16	101807	4
6	Equalizer	100843	2
7	Center Axle Hanger	100785	2
8	Grease Bolt, 7/8 x 4-1/4	101811	2
8a	Locknut, 7/8	101812	2
9	Rear Axle Hanger	100786	2
10	Spring Bushing	101497	4

[Back to Section Index](#)

Suspension for 7k Axle (tandem axle trailers with 14,000 GVW)



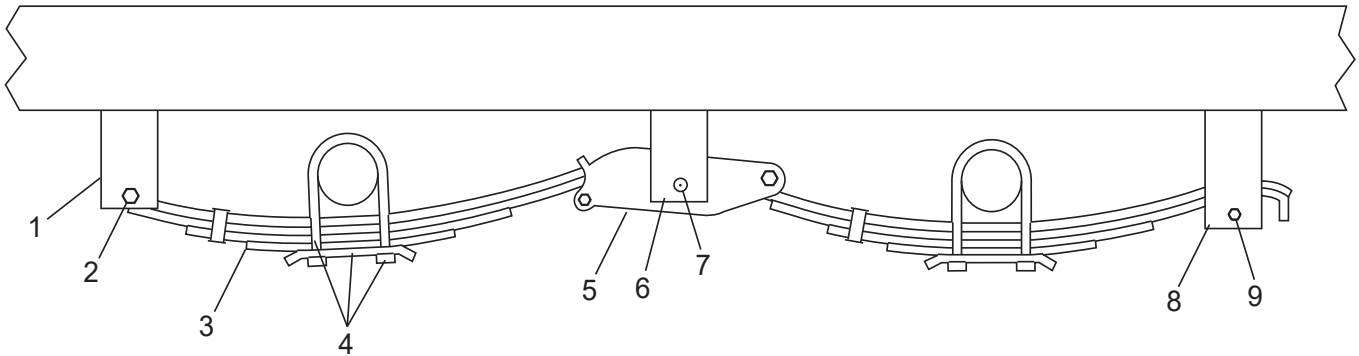
#10 Plastic spring bushing - not shown

#5 Swan or Rectanglaur Style Equalizer

Ref#	Description	Part#	Qty.
1	Front Axle Hanger	103016	2
2	Spring Bolt, 9/16 x 3-1/2	101808	4
2a	Locknut, 9/16	101809	2
3	Slipper Spring, 7 Leaves	101495	2
4	U-Bolt Kit	101534	4
5	Equalizer	101805	2
6	Center Axle Hanger	100785	2
7	Grease Bolt, 7/8 x 4-1/2	101811	2
7a	Locknut, 7/8	101810	2
8	Rear Axle Hanger	100786	2
9	Spring Bolt, 5/16 x 3-1/4	101806	4
9a	Locknut, 5/16	101807	4
10	Spring Bushing	101499	4

Back to Section Index

Suspension for 6k 8-Bolt Axle (tandem axle trailers with 12,000 GVW)



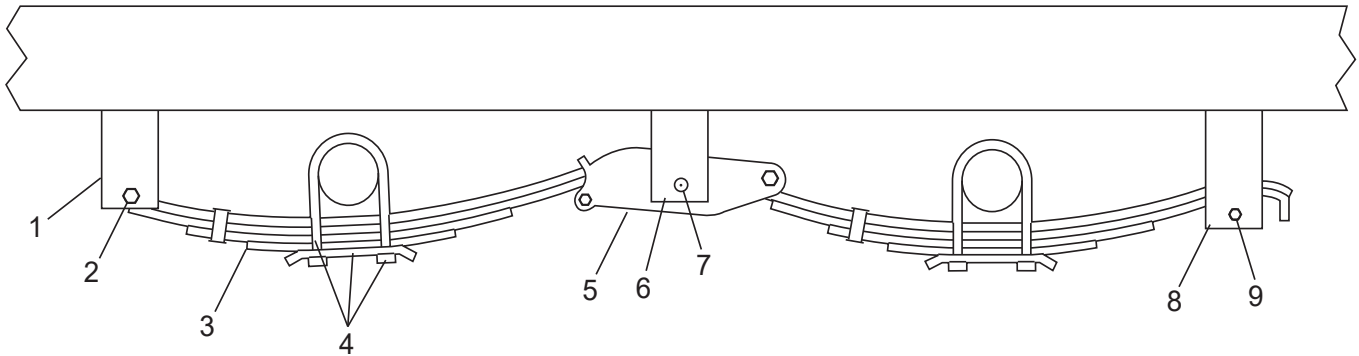
#10 Plastic spring bushing - not shown

#5 Swan or Rectanglaur Style Equalizer

Ref#	Description	Part#	Qty.
1	Front Axle Hanger	103016	2
2	Spring Bolt, 9/16 x 3-1/2	101808	4
2a	Locknut, 9/16	101809	2
3	Slipper Spring, 5 Leaves	101494	2
4	U-Bolt Kit	101534	4
5	Equalizer	101805	2
6	Center Axle Hanger	100785	2
7	Grease Bolt, 7/8 x 4-1/2	101811	2
7a	Locknut, 7/8	101812	2
8	Rear Axle Hanger	100786	2
9	Spring Bolt, 5/16 x 3-1/4	101806	4
9a	Locknut, 5/16	101807	4
10	Spring Bushing	101497	4

[Back to Section Index](#)

Suspension for 5k & 6k Axles (tandem axle trailers with 10,000 GVW)



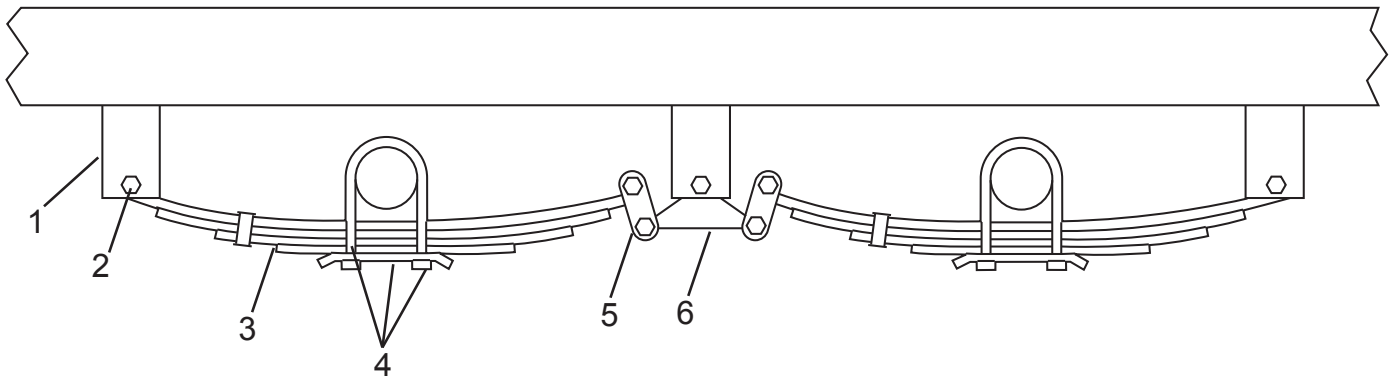
#10 Plastic spring bushing - not shown

#5 Swan or Rectanglaur Style Equalizer

Ref#	Description	Part#	Qty.
1	Front Axle Hanger	103016	2
2	Spring Bolt, 9/16 x 3-1/2	101808	4
2a	Locknut, 9/16	101809	2
3	Slipper Spring, 5 Leaves	101494	2
4	U-Bolt Kit	101534	4
5	Equalizer	101805	2
6	Center Axle Hanger	100785	2
7	Grease Bolt, 7/8 x 4-1/2	101811	2
7a	Locknut, 7/8	101812	2
8	Rear Axle Hanger	100786	2
9	Spring Bolt, 5/16 x 3-1/4	101806	4
9a	Locknut, 5/16	101807	4
10	Spring Bushing	101497	4

[Back to Section Index](#)

Suspension for 3.5k Axle (tandem axle trailers with 7,000 GVW)

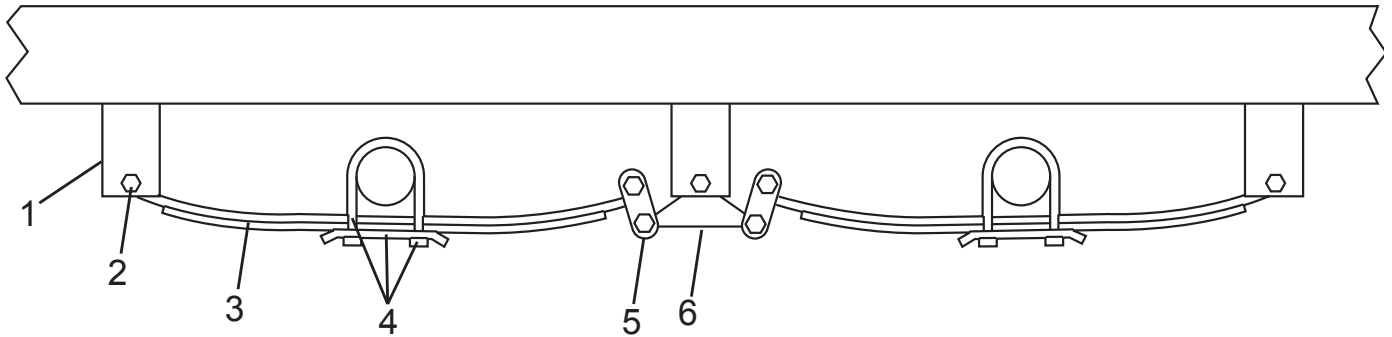


#7 Plastic bushing for springs and equalizers - not shown

Ref#	Description	Part#	Qty.
1	Axle Hanger	100781	6
2	Spring Bolt, 9/16 x 3	100778	14
2a	Locknut, 9/16	101809	14
3	Double Eye Spring, 4 Leaves	100631	4
4	U-bolt Kit	100649	4
5	Shackle Strap	100782	8
6	Equalizer	100834	2
7	Spring Bushing	101498	8

Back to Section Index

Suspension for 2k Axle (tandem axle trailers with 4,000 GVW)

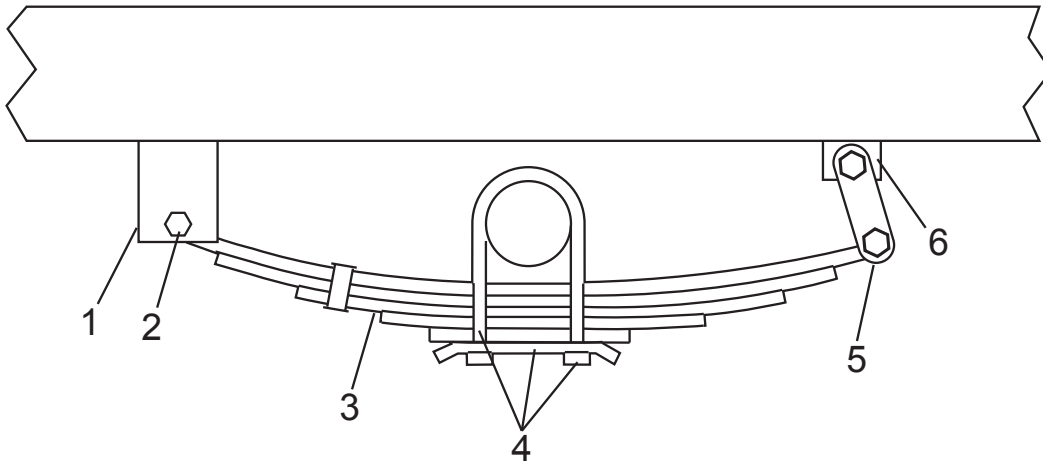


#7 Plastic bushing for springs and equalizers - not shown

Ref#	Description	Part#	Qty.
1	Axle Hanger	100781	6
2	Spring Bolt, 9/16 x 3	100778	14
2a	Locknut, 9/16	101809	14
3	Double Eye Spring, 3 Leaves	101489	4
4	U-bolt Kit	101532	4
5	Shackle Strap	100782	8
6	Equalizer	100834	2
7	Spring Bushing	101498	8

Back to Section Index

Suspension for 5k Axle (single axle trailers with 5,000 GVW)

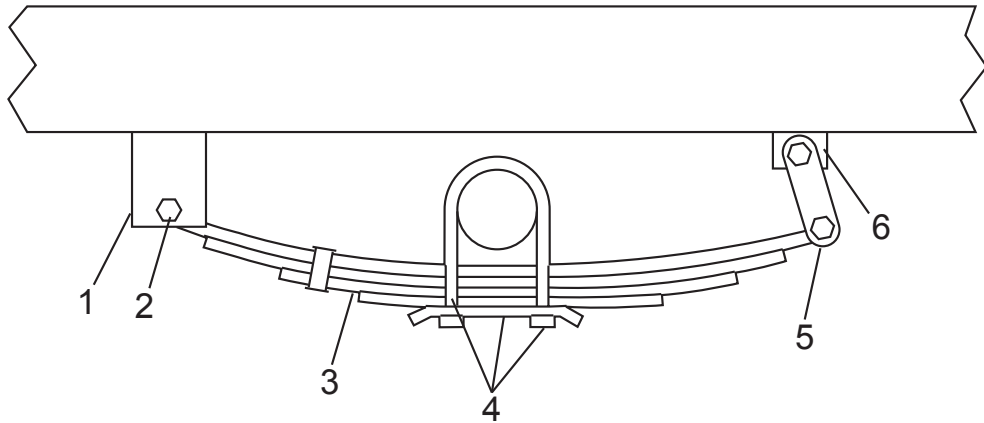


#7 Plastic spring bushing - not shown

Ref#	Description	Part#	Qty.
1	Front Axle Hanger	100808	2
2	Spring Bolt, 9/16 x 3	100778	6
2a	Locknut, 9/16	101809	6
3	Double Eye Spring, 5 Leaves	102368	2
4	U-Bolt Kit	101534	2
5	Shackle Strap	100809	4
6	Rear Axle Hanger	100779	2
7	Spring Bushing	101498	4

[Back to Section Index](#)

Suspension for 3.5k Axle (single axle trailers with 3,500 GVW)

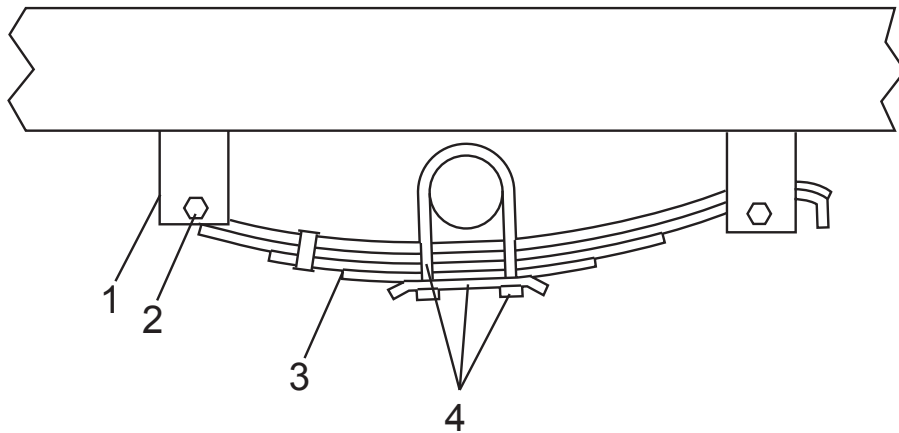


#7 Plastic spring bushing - not shown

Ref#	Description	Part#	Qty.
1	Front Axle Hanger	100808	2
2	Spring Bolt, 9/16 x 3	100778	6
2a	Locknut, 9/16	101809	6
3	Double Eye Spring, 4 Leaves	100631	2
4	U-Bolt Kit	100649	2
5	Shackle Strap	100809	4
6	Rear Axle Hanger	100779	2
7	Spring Bushing	101498	4

[Back to Section Index](#)

Suspension for 2k Axle (single axle trailers with 2,000 GVW)



#5 Plastic spring bushing - not shown

Ref#	Description	Part#	Qty.
1	Axle Hanger	100808	4
2	Spring Bolt, 9/16 x 3	100778	4
2a	Locknut, 9/16	101809	4
3	Slipper Spring, 4 Leaves	101492	2
4	U-Bolt Kit	101532	2
5	Spring Bushing	101498	2

Back to Section Index

Lights & Electrical

Page #

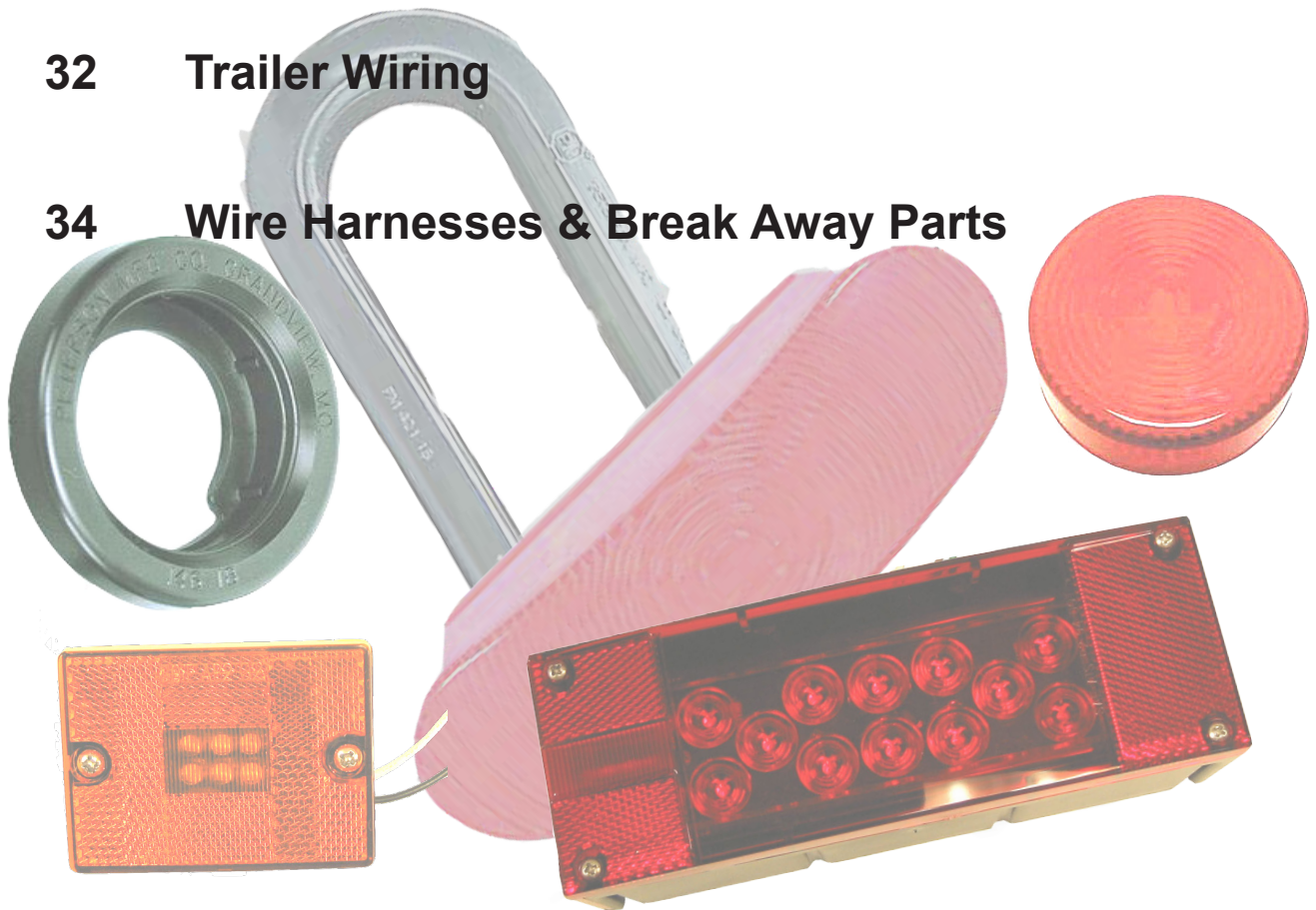


30 Rubber Mounted Lights

31 Other Lights

32 Trailer Wiring

34 Wire Harnesses & Break Away Parts



[Back to Main Index](#)

Rubber Mounted Lights



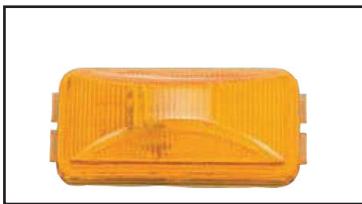
2" Round Red LED
Part# 100056



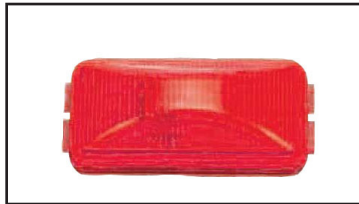
2" Round Amber LED
Part# 100057



2" Round Grommet
Part# 100143



Amber Rectangular LED
Part# 102359



Red Rectangular LED
Part# 102360



Rectangular Grommet
Part# 102358



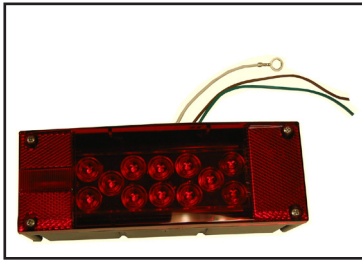
6" Oval Grommet
Part# 100140



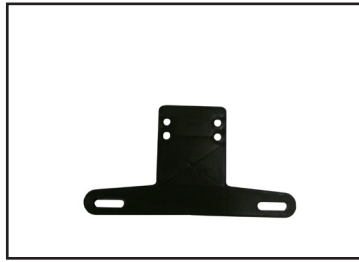
6" Oval Taillight LED
Part# 100055

[Back to Section Index](#)

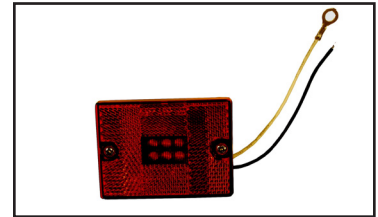
Other Lights



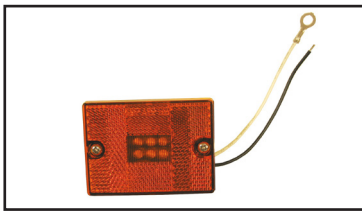
LED Rectangle Taillight
Right Hand #100206
Left Hand #100205



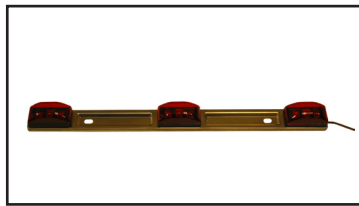
License Plate Bracket
Part# 100793



LED Red Clearance
Part# 100208



LED Amber Clearance
Part# 100207



LED Bar Light Red
Part# 100209



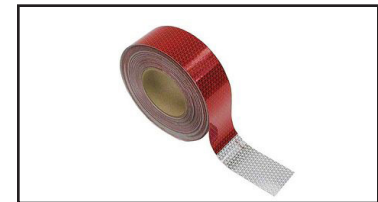
License Plate Light
Part# 100263



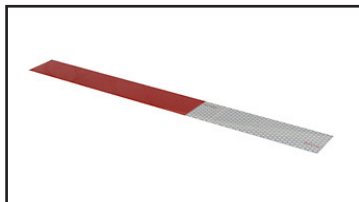
License Plate Light
Part# 100146



License Plate Light
Part# 100837



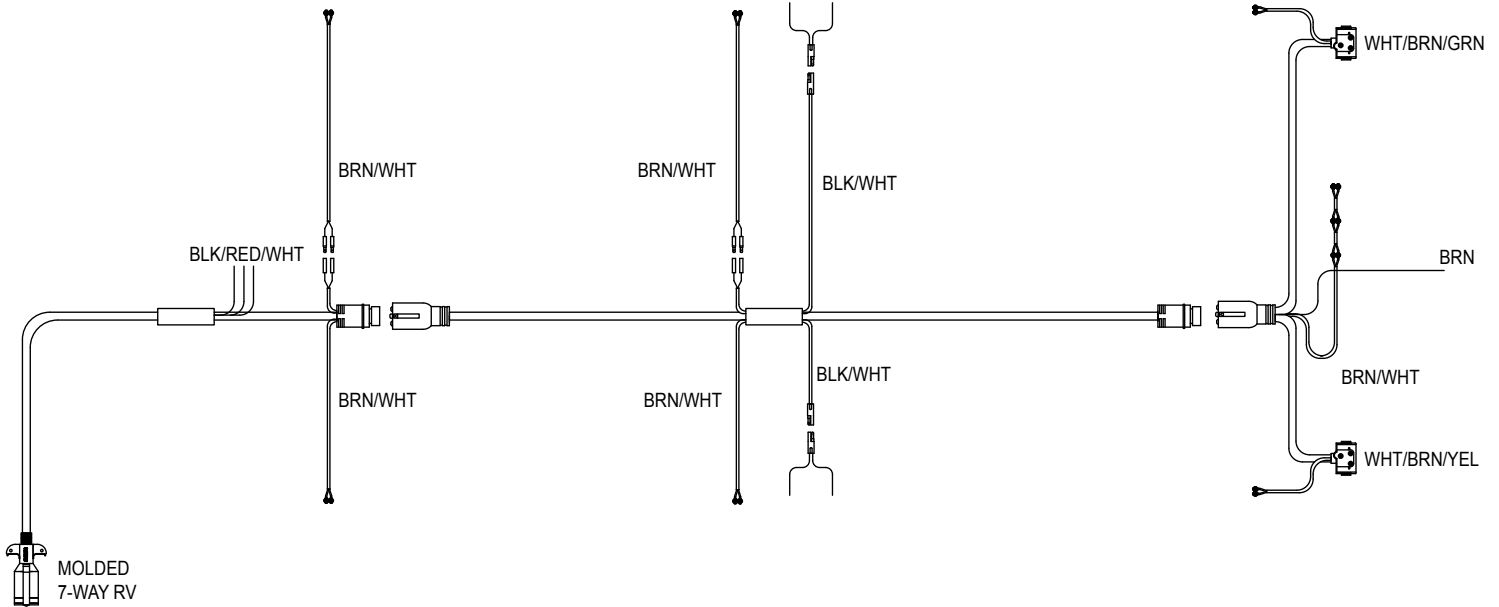
Reflector Tape (per ft.)
Part# 100513



Reflector Tape Strip
Part# 100514

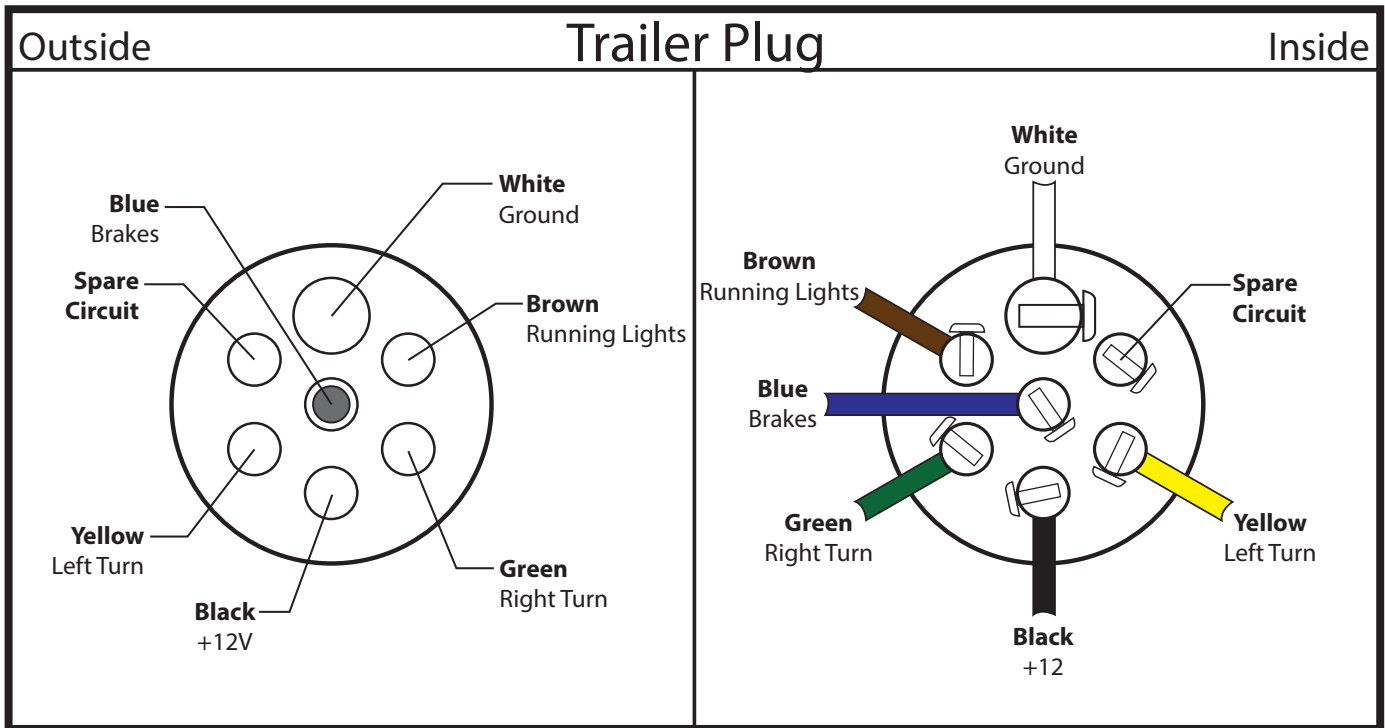
[Back to Section Index](#)

Trailer Wiring



Replacement 7-Way RV Plug P/N 101077

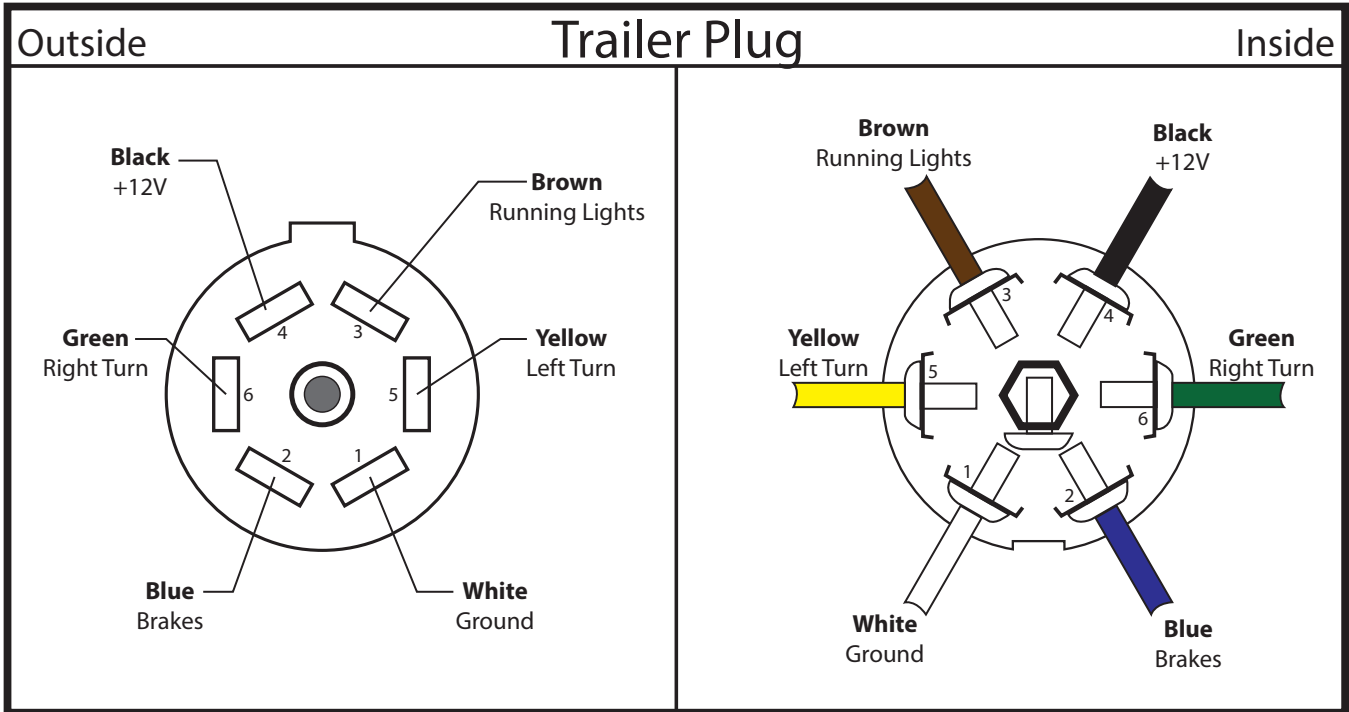
7-Way Round Pin Trailer Wiring Diagram



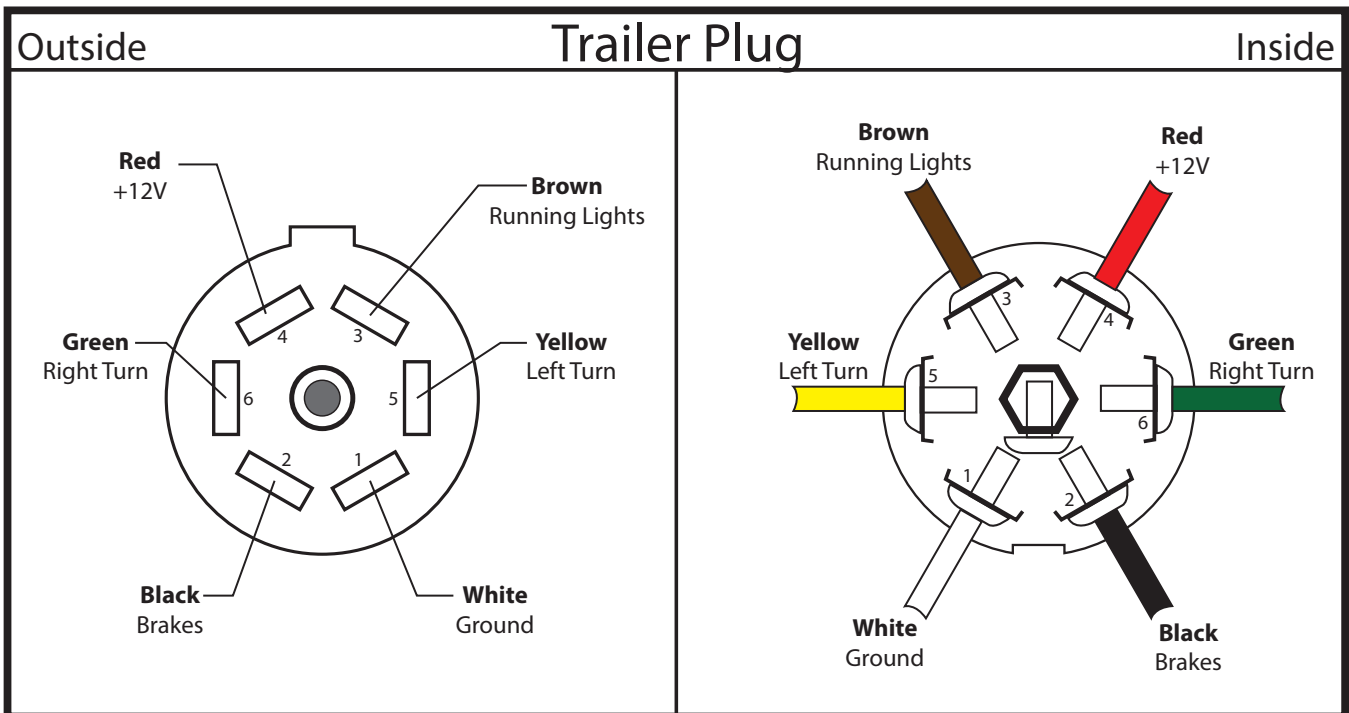
Spade Pin Plug Diagram shown on next page.

[Back to Section Index](#)

7-Way RV Trailer Wiring Diagram - Sealco Code



7-Way RV Trailer Wiring Diagram - Phillips Code



See Wire Harness and Breakaway Kit Part Numbers on next page.

[Back to Section Index](#)

Complete Wiring Harnesses

TRAILER MODEL	SEALCO HARNESS	PHILLIPS HARNESS (APROX 2022+)	28" SEALCO EXTENSION	28" PHILLIPS EXTENSION
408	100758S	100758P	N.A.	N.A.
510	100758S	100758P	N.A.	N.A.
610	100758S	100758P	N.A.	N.A.
612S	100758S	100758P	N.A.	N.A.
8012S	102502S	102502P	N.A.	N.A.
8012T	102503S	102503P	N.A.	N.A.
8014T	102503S	102503P	N.A.	N.A.
8016T	102503S	102503P	N.A.	N.A.
8018T	102503S	102503P	100121S (QTY 1)	100121P (QTY 1)
8020T	102503S	102503P	100121S (QTY 2)	100121P (QTY 2)
C-500	102336S	102336P	N.A.	N.A.
C-1500	102248S	102248P	N.A.	N.A.
C-2500	101009S	101009P	N.A.	N.A.
MP16	100136S	100136P	N.A.	N.A.
MP18	100136S	100136P	N.A.	N.A.
T-100	102780S	102780P	N.A.	N.A.
T-200	100136S	100136P	N.A.	N.A.
1014SST	100136S	100136P	N.A.	N.A.
1016SST	100136S	100136P	N.A.	N.A.
1018SST	100136S	100136P	N.A.	N.A.
716DO	100687S	100687P	N.A.	N.A.

Breakaway Kits

Description	Part#
Breakaway Kit Complete w/ Charger	100122
Battery Box with Charger	100137
Battery Box without Charger	101143
Battery	101144
Switch with Cable & Plug	102262
Cable & Plug	102261

[Back to Section Index](#)

Deckover Harnesses (SEALCO A-FRAME)			
Deck Length (Before Tail)	Front Harness (Sealco)	Main Harness	28" Extension
16'	101208S	100510S	N/A
18'	101208S	100510S	100121S
20'	101208S	100510S	N/A
22'	101208S	100510S	100121S
24'	101208S	100510S	100121S

Deckover Harnesses (PHILLIPS A-FRAME APROX 2022+)			
Deck Length (Before Tail)	Front Harness (Phillips)	Main Harness	28" Extension
16'	101208P	100510P	N/A
18'	101208P	100510P	100121P
20'	101208P	100510P	N/A
22'	101208P	100510P	100121P
24'	101208P	100510P	100121P

Deckover Harnesses (SEALCO GOOSENECK)			
Deck Length (Before Tail)	Front Harness	Main Harness	28" Extension
16'	101209S	100510S	N/A
18'	101209S	100510S	100121S
20'	101209S	100510S	N/A
22'	101209S	100510S	100121S
24'	101209S	100510S	100121S

Deckover Harnesses (PHILLIPS GOOSENECK APROX 2022+)			
Deck Length (Before Tail)	Front Harness	Main Harness	28" Extension
16'	101209P	100510P	N/A
18'	101209P	100510P	100121P
20'	101209P	100510P	N/A
22'	101209P	100510P	100121P
24'	101209P	100510P	100121P

Back to Section Index

Wheels & Tires



Tire Size	Rim Size	Assembly Part#	Load Rating
205/75 R15	15" 5-Bolt	100616	1820lbs.
225/75 R15	15" 6-Bolt	101188	2620lbs.
8-14.5 LT	14.5" 6-Bolt	102198	2710lbs.
235/80 R16	16" 8-Bolt	100302	3520lbs.
235/85 R16	16" 8-Bolt	100102	3750lbs.
215/75 R17.5	17.5" 8-Bolt	100550	3750lbs.
235/75 R17.5	17.5" 8-Bolt	101126	6005lbs.

Spare Tire Mount Kits	
Trailer Model	Kit Number
Utility	102135
SST, MP, T-100, T-200	101556
Dump Trailer	102144
1018DO, G10, G12, G14	TRSTM7
I-10, G16, G20	TRSTM10
716DO	TRSTM5

[Back to Main Index](#)

Ramps

Ramp Size	Right Hand Ramp	Left Hand Ramp	Weight Cap. (Set)
5' 3-Rib Econo Ramp	101177	101176	2,000 lbs.
5' 4-Rib Econo Ramp	101170	101169	2,000 lbs.
4' 8" 3-Rib Mesh Ramp	100874	102152	3,000 lbs.
4' 8" 4-Rib Mesh Ramp	102142	102165	6,000 lbs.
4' 8" 5-Rib Mesh Ramp	100873	102150	8,000 lbs.
6' 4-Rib Mesh Ramp	102136	102161	5,000 lbs.
6' 5-Rib Mesh Ramp	101142	102159	7,000 lbs.
4' 8" Ladder Ramp	100890	102156	9,500 lbs.
6' Ladder Ramp	100884	102169	7,500 lbs.
5' Heavy Duty Ladder Ramp	102321	102314	14,500 lbs.
4' 8" Slide-in Ladder Ramp	100899	100899	N/A
6' Slide-in Ladder Ramp	100902	100902	N/A
C2500 Slide-in Ladder Ramp	100904	100904	N/A
C1500 Ladder Ramp	102259	102259	N/A

Ramp Options

Option	Item #
Double Hinge Kit for Mesh Ramps	102173
Double Hinge Kit for Ladder Ramps	102177
Spring Assist Kit for 4' Ladder Ramps	TRSAK4L
Spring Assist Kit for 6' Ladder Ramps	TRSAK6L
Spring Assist Kit for 4' 8" Mesh Ramps	TRSAK4M
Spring Assist Kit for 6' Mesh Ramps	TRSAK6M
15" Bolt-on Leg for Ladder Ramps	100893
18" Bolt-on Leg for Ladder Ramps	100897
12.5" Bolt-on Leg for Mesh Ramps	101550
15" Bolt-on Leg for Mesh Ramps	101551

Ramp Attachment

Pivot Rod for Model:	Size	Item#
510 Utility Trailers	1-3/8 x 65-1/4	100787
6-Series Utility Trailers	1-3/8 x 79	100811
80-Series Utility Trailers	1-3/8 x 89-1/4	102463
SST & MP Trailers	1-3/8 x 79	100071
Gooseneck Trailers	1-3/8 x 96-1/2	100279
I-10 & 1018 Deckover Trailers	1-3/8 x 96-1/2	100279
716 Deckover Trailers	1-3/8 x 92	100672
Misc. Items		Item#
Ramp Positioning Strap		100215
Lynch Pin w/ Chain & Cotter		100217
Ramp Pivot Bracket (Weld-on)		100239

Rear Support Stands

Option	Item #
15" Rear Support Stands (Dumps Trailers)	100280
17" Rear Support Stands (Deckovers)	102102

Back to Main Index

Couplers



Bolt-on Ball Coupler
2-5/16" - Part# 100053
2" - Part# 102348
(Mounting Bracket & Bolts
not included)



3" Bolt-on Pintle Eye
Part# 102233
(Mounting Bracket & Bolts
not included)



Kingpin Coupler Insert
Part# 102104



Gooseneck Coupler
Part# 100395



4-Bolt Pintle Eye
Part# 101123



Weld-on Ball Coupler
2-5/16" - Part# 100835
2" - Part# 100589

Coupler Mounting Parts

4-Hole Coupler Bracket	100060
6-Hole Coupler Bracket	100062
Coupler Mount Bolt Kit	100079



Safety Chains

Part#	Description	GVW Range
101200	1/4" Chain with Clevis Hook	2,000 - 7,000 lbs.
101201	5/16 Chain with Clevis Hook	8,000 - 10,000 lbs.
101202	5/16 Chain with Clevis Hook	11,000 - 20,000 lbs.
100591	1/4" Hook Only	2,000 - 7,000 lbs.
100159	5/16" Hook Only	8,000 - 10,000 lbs.
101205	5/16" Hook Only - G-70	11,000 - 20,000 lbs.

[Back to Main Index](#)

Trailer Jacks



2-1/4"
Diameter

5k Top Wind Jack (Bolt-on)
Part# 100748

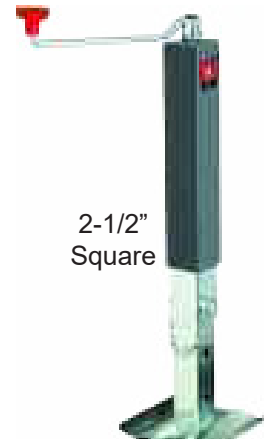
Jack Foot
Part# 101091



2-1/4"
Square

5k Top Wind Jack
Weld-on - Part# 100831

With 4-Bolt Mounting Plate
for C-500 Dump Trailer
Part# 101139



2-1/2"
Square

7k Top Wind Jack
Weld-on - Part# 100154

With 4-Bolt Mounting Plate
for C-1500 Dump Trailer
Part# 101140

With 4-Bolt Mounting Plate
(for all other trailers)
Part# 100126



4" Square

10k Top Wind Jack
Weld-on - Part# 100155

With 4-Bolt Mounting Plate
Part# 100127



4" Square

10k Side Wind Jack
Weld-on - Part# 100427

Replacement Parts

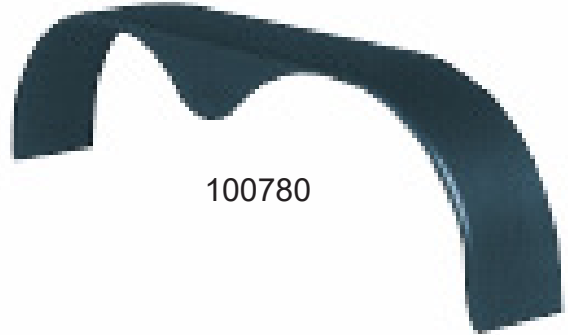
	10k	7k	5k	2k
Jack Handle	100448	101107	500010	500010
Drop Leg	N/A	101862	101092	N/A
Drop Leg Pin	101158	101863	101863	N/A
Inner Screw	101152	102199	101149	N/A

[Back to Main Index](#)

Fenders



100739



100780

Part#	Size/Description	Fits Models:	Backer Plate Req'd	Light Boxes Req'd
100739	9 x 32 Single Axle, Smooth	Single Axle Utility Trailers	100740	N/A
100780	9 x 66 Tandem Axle, Smooth	Tandem Axle Utility Trailers	100741	N/A
102826	Single Axle, Diamond Plate	C-500 Dump Trailer	N/A	N/A
102008	10 x 72 Tandem Axle, Diamond Plate Curved Corner	MP SST C2500 T100 T200	102014	N/A
		C-1500	N/A	

CURRENT

Part#	Size/Description	Fits Models:	Backer Plate Req'd	Light Boxes Req'd
104130	10 x 74 Tandem Axle, Diamond Plate	SST Trailers 8K Only		
103850	Welded Fender w/ Backer	Carhauler		
102366	10 x 74 Tandem Axle, Diamond Plate	SST Trailers, C-2500, T-100	102367	102989
		T-200	101936 (Left)	102990
			101937 (Right)	

[Back to Main Index](#)

Dump Trailer Parts

Page

42 C2500 Hoist Components

43 C2500 Tailgate

44 C500 & C1500 Hoist Components

45 C500 & C1500 Standard Tailgate

46 C500 & C1500 Landscape Tailgate

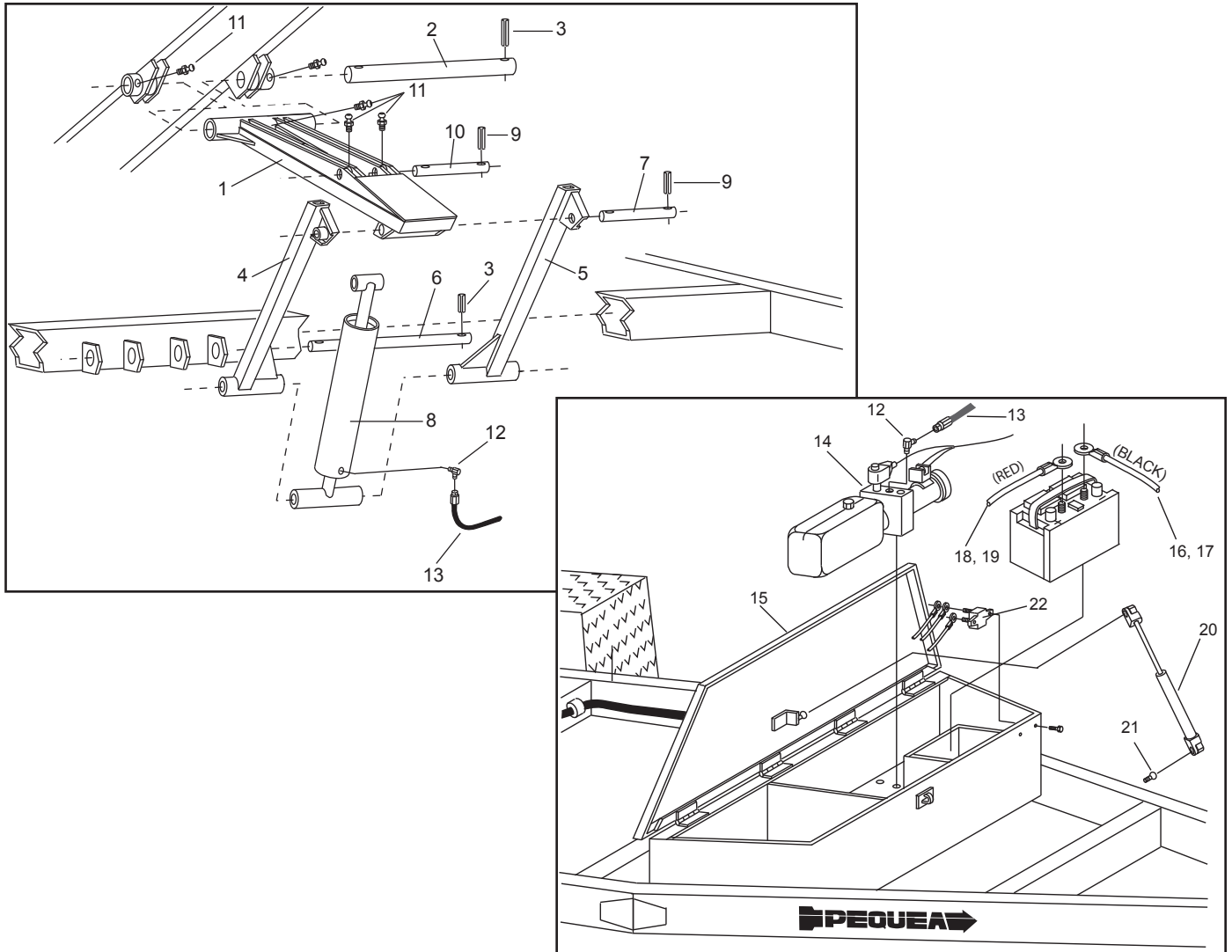
47 C1500 Split Tailgate

48 Hydraulic Power Unit Components



[Back to Main Index](#)

C2500 Hoist Components

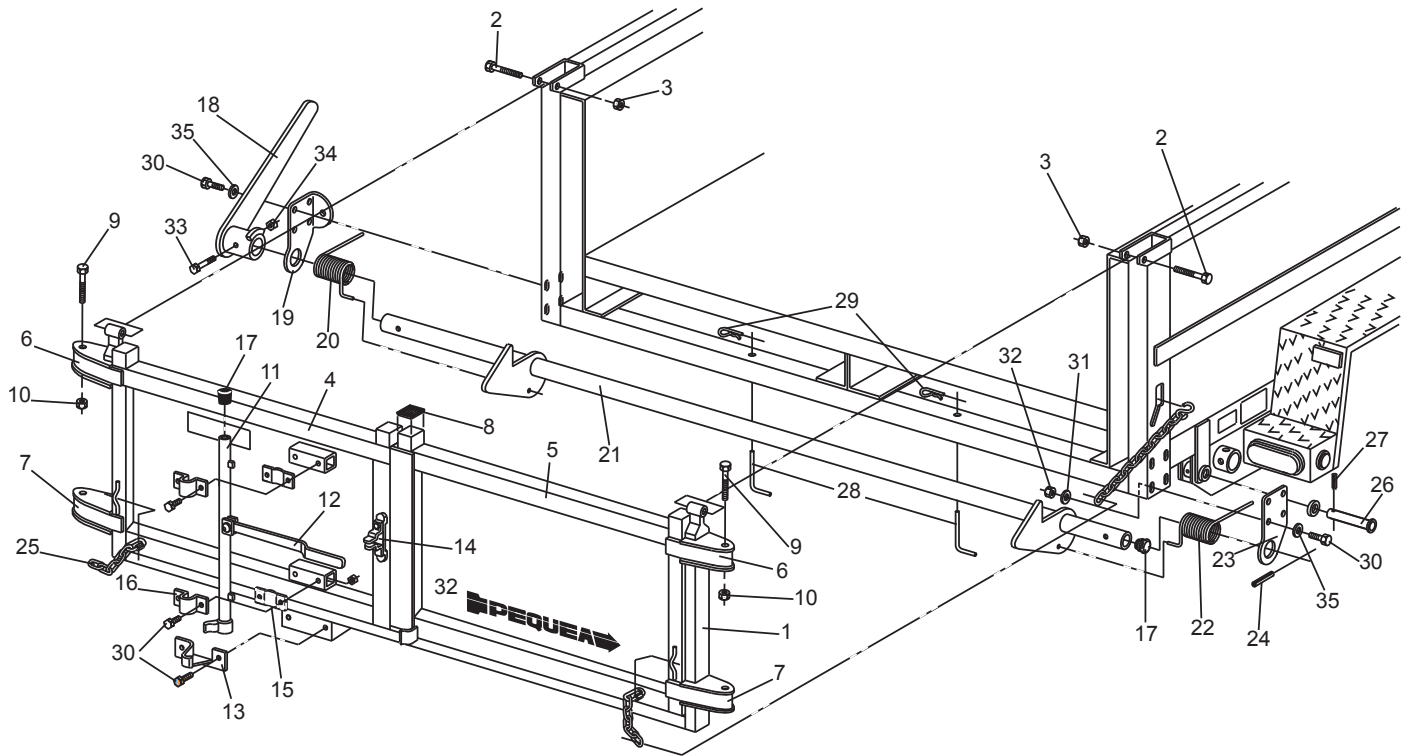


Ref#	Description	C-2500 12ft.	C-2500 14ft.
1	Upper Scissor Assembly	101609	101609
2	Upper Hoist Pin	100958	100958
3	Roll Pin, 3/8 x 3	100960	100960
4	Lower Right Scissor Assembly	100964	100964
5	Lower Left Scissor Assembly	100970	100970
6	Lower Hoist Pin	100971	100971
7	Pivot Pin	100962	100962
8	Standard, Single Acting Cylinder	100972	101072
9	Roll Pin, 3/8 x 2	100959	100959
10	Cylinder Pin	100961	100961
11	Grease Fitting	400117	400117

Ref#	Description	C-2500 12ft.	C-2500 14ft.
12	Elbow Fitting	101022	101022
13	Hose	101020	101038
14	Complete Power Unit	101028	101028
15	Toolbox w/ Lid	100985	100985
16	Ground Cable (Black)	102265	102265
17	Terminal Cover (Black)	102263	102263
18	Power Cable (Red)	102266	102266
19	Terminal Cover (Red)	102264	102264
20	Gas Shock	100991	100991
21	Gas Shock Mounting Stud	100992	100992
22	30 Amp Circuit Breaker	101019	101019

[Back to Section Index](#)

C2500 Tailgate



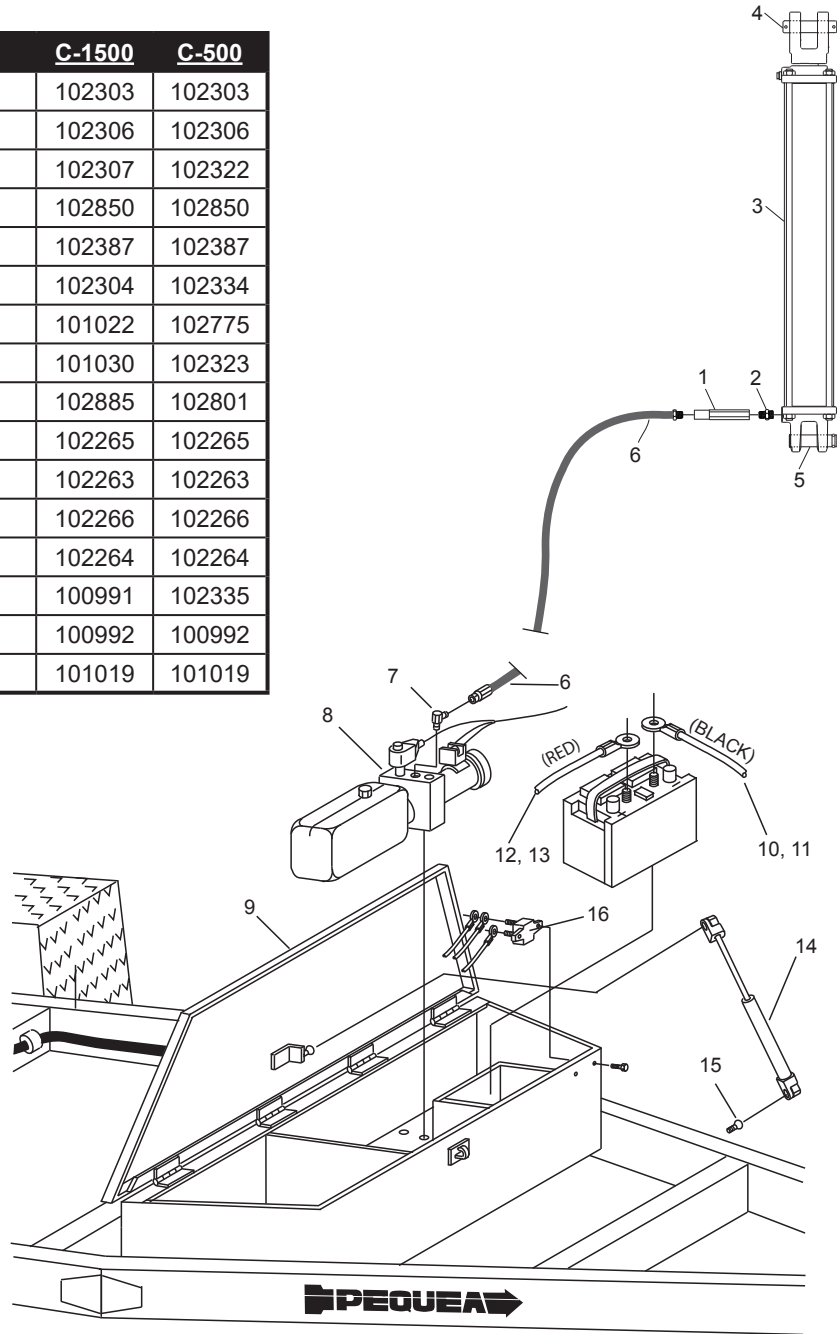
Ref#	Description	Part#
1	Spread Frame	101045
2	Bolt, 3/4 x 4	000740
3	Locknut, 3/4	000990
4	Left Gate Assembly	101051
5	Right Gate Assembly	101060
6	Top Gate Hinge	102401
7	Bottom Gate Hinge	102402
8	Square Plastic Plug	100343
9	Bolt, 1/2 x 3-1/2	000480
10	Locknut, 1/2	000950
11	Cam Door Lock Assembly	100243
12	Replacement Handle	101244
13	Replacement Keeper	101246
14	Replacement Hasp	101247
15	Back Mounting Bracket	101248
16	Front Mounting Bracket	101249
17	Plastic Pipe Plug	100297

Ref#	Description	Part#
19	Latch Bar Holder, Left	102221
20	Latch Spring, Left	102223
21	Latch Bar	101062
22	Latch Spring, Right	102224
23	Latch Bar Holder, Right	102222
24	Roll Pin, 1/4 x 1-3/4	500187
25	Tailgate Chain w/ Hook	101133
26	Bed Hinge Pin	100931
27	Roll Pin, 3/8 x 2-1/2	102390
28	Ramp Pin	100930
29	Hairpin Clip	200011
30	Bolt, 3/8 x 7/8	000250
31	Lock Washer, 3/8	000820
32	Nut, 3/8	000915
33	Bolt, 1/4 x 1-3/4	000187
34	Locknut, 1/4	003001
35	Flat Washer, 3/8	001035

[Back to Section Index](#)

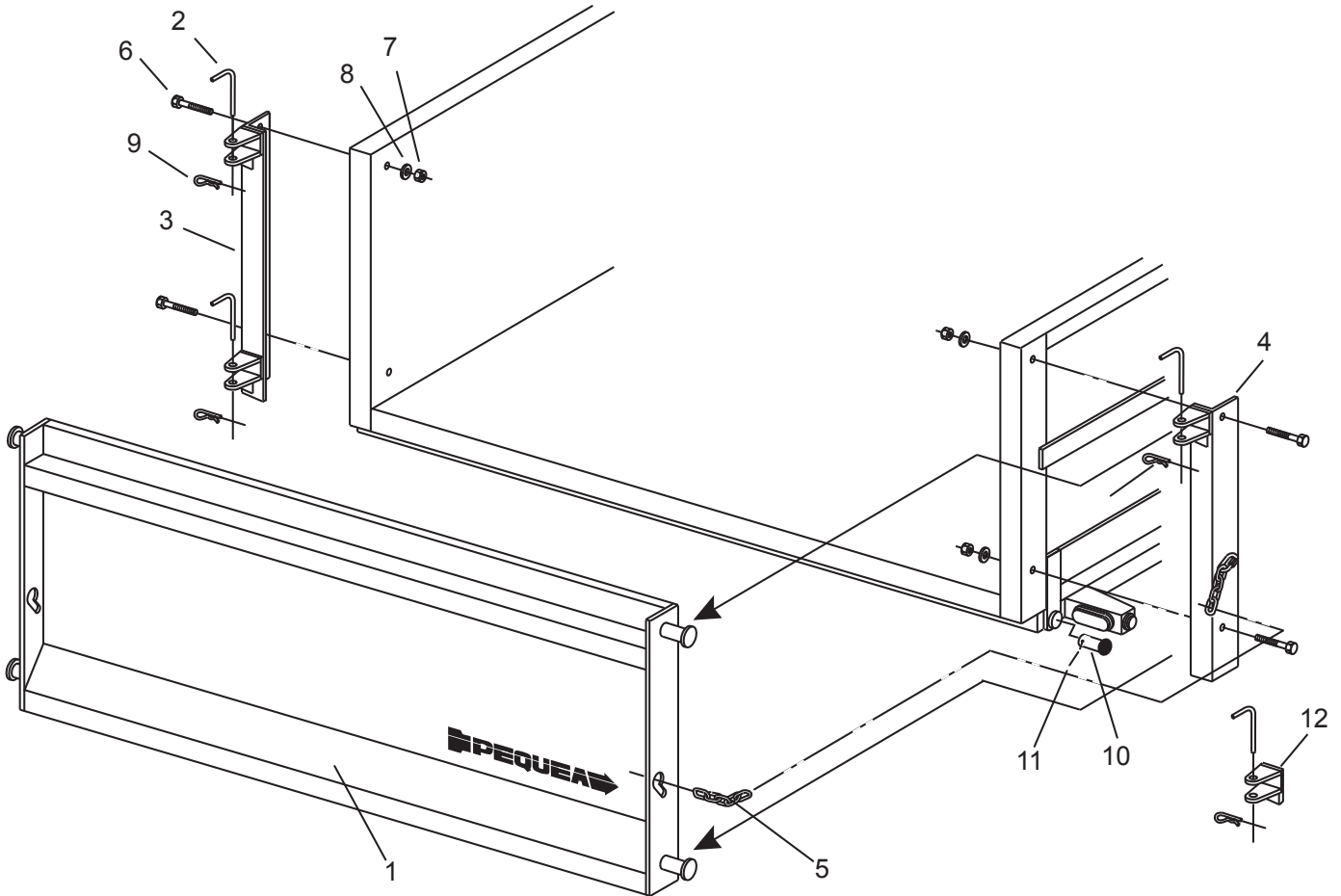
C500 & C1500 Hoist Components

Ref#	Description	C-1500	C-500
1	Flow Control Valve	102303	102303
2	Adapter Fitting	102306	102306
3	Cylinder	102307	102322
4	Upper Cylinder Pin	102850	102850
5	Lower Cylinder Pin	102387	102387
6	Hydraulic Hose	102304	102334
7	Elbow Fitting	101022	102775
8	Complete Power Unit	101030	102323
9	Tool Box w/ Lid	102885	102801
10	Ground Cable (Black)	102265	102265
11	Terminal Cover (Black)	102263	102263
12	Power Cable (Red)	102266	102266
13	Terminal Cover (Red)	102264	102264
14	Gas Shock	100991	102335
15	Gas Shock Ball Stud	100992	100992
16	30 Amp Circuit Breaker	101019	101019



[Back to Section Index](#)

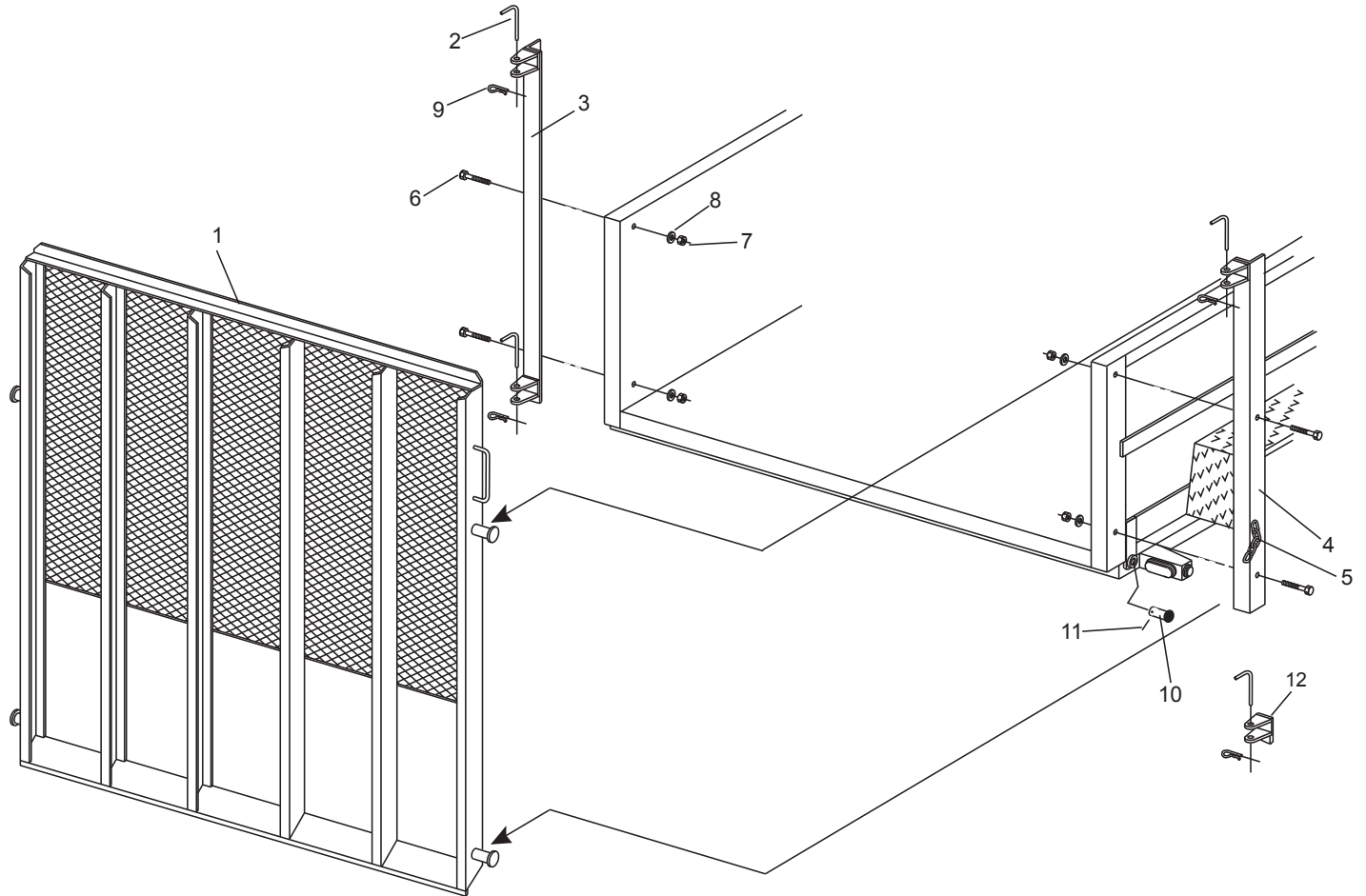
C500 & C1500 Standard Tailgate



Ref#	Description	C-1500	C-500
1	Gate	102391	102392
2	Gate Pin	100330	100330
3	Mounting Bracket, Left	102393	102393
4	Mounting Bracket, Right	102394	102394
5	Adjustment Chain	100590	100590
6	Bolt, 1/2 x 1-1/2	000435	000435
7	Nut 1/2	000940	000940
8	Lock Washer, 1/2	000840	000840
9	Safety Clip	200011	200011
10	Dump Hinge Pin	102847	102847
11	Roll Pin, 1/4 x 1-3/4	500187	500187
12	Weld-on Tailgate Bracket	100851	100851

[Back to Section Index](#)

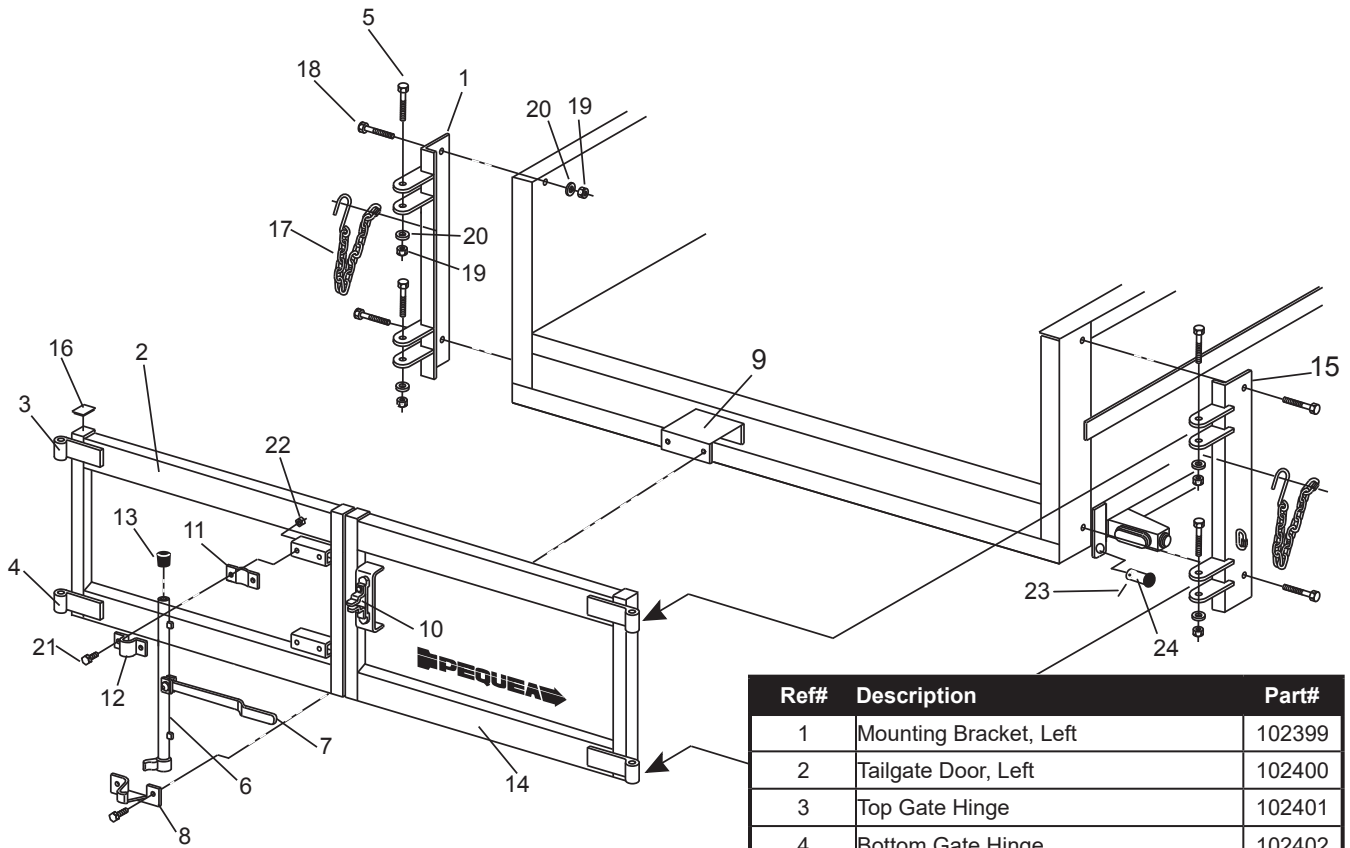
C500 & C1500 Landscape Tailgate



Ref#	Description	C-1500	C-500
1	Gate	102395	102396
2	Gate Pin	100330	100330
3	Mounting Bracket, Left	102397	102397
4	Mounting Bracket, Right	102398	102398
5	Adjustment Chain	100590	100590
6	Bolt, 1/2 x 1-1/2	000435	000435
7	Nut 1/2	000940	000940
8	Lock Washer, 1/2	000840	000840
9	Safety Clip	200011	200011
10	Dump Hinge Pin	102847	102847
11	Roll Pin, 1/4 x 1-3/4	500187	500187
12	Weld-on Tailgate Bracket	100851	100851

[Back to Section Index](#)

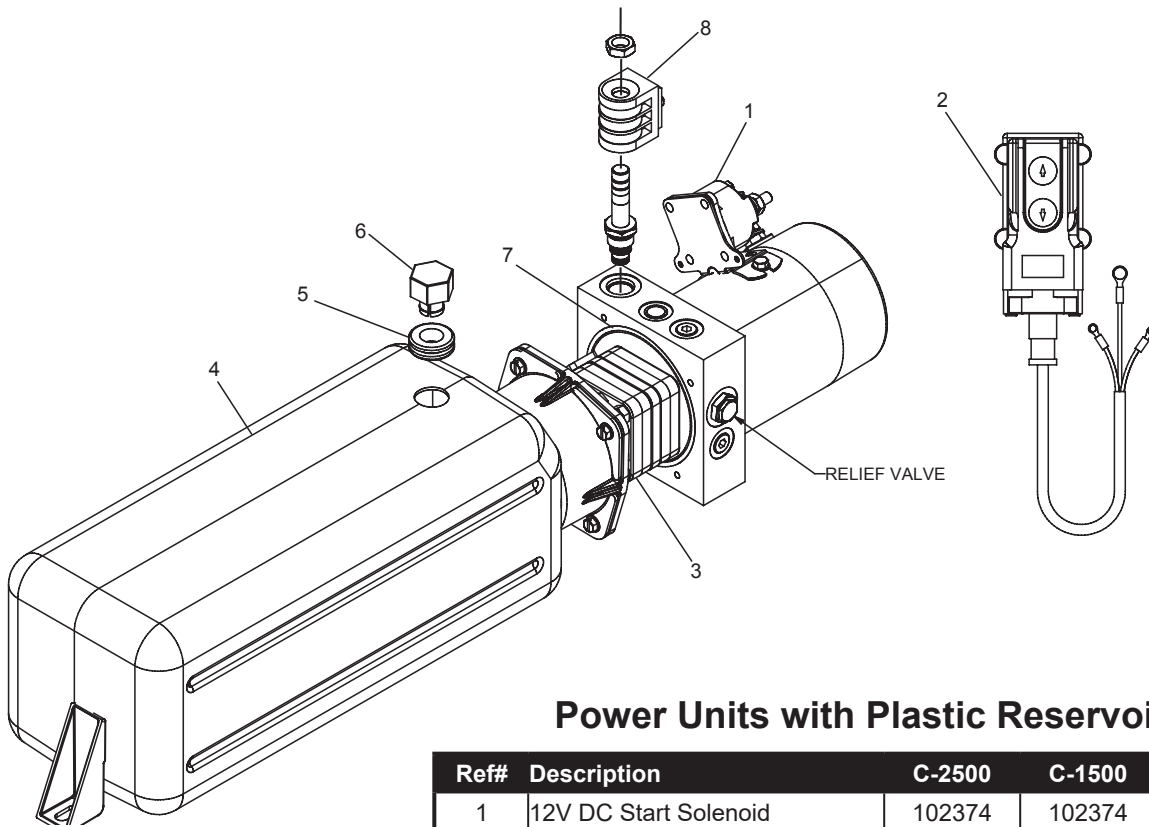
C1500 Split Tailgate



Ref#	Description	Part#
1	Mounting Bracket, Left	102399
2	Tailgate Door, Left	102400
3	Top Gate Hinge	102401
4	Bottom Gate Hinge	102402
5	Bolt, 1/2 x 3-1/2	000480
6	Cam Door Lock	102403
7	Replacement Handle	101244
8	Replacement Keeper	101246
9	Keeper Mounting Bracket	102404
10	Replacement Hasp	101247
11	Back Mounting Bracket	101248
12	Front Mounting Bracket	101249
13	Plastic Pipe Plug	100297
14	Tailgate Door, Right	102405
15	Mounting Bracket, Right	102406
16	Square Plastic Plug	100343
17	Locking Chain /w Hook	101132
18	Bolt, 1/2 x 1-1/2"	000435
19	Nut 1/2"	000940
20	Lock Washer, 1/2"	000840
21	Bolt, 3/8 x 7/8	000250
22	Nut, 3/8	000915
23	Roll Pin, 1/4 x 1-3/4	500187
24	Dump Hinge Pin	102847

[Back to Section Index](#)

Hydraulic Power Unit Components



Power Units with Plastic Reservoir

Ref#	Description	C-2500	C-1500	C-500
1	12V DC Start Solenoid	102374	102374	102374
2	Remote Switch w/ Cable	102162	102162	102162
3	203 Pump Assembly	102528	102528	N/A
4	Plastic Reservoir	102521	102529	102139
5	Rubber Grommet	102522	102522	102522
6	Breather	102520	102520	102520
7	O-Ring	102527	102527	102527
8	Valve Assembly	102108	102108	102108

Power Units with Metal Reservoir

Ref#	Description	C-2500	C-1500
1	12V DC Start Solenoid	102374	102374
2	Remote Switch w/ Cable	102162	102162
3	203 Pump Assembly	102370	102370
4	Metal Reservoir	102375	102375
5	Rubber Grommet	N/A	N/A
6	Breather w/ Dipstick	102377	102377
7	O-Ring	102376	102376
8	Valve Assembly	102372	102372

[Back to Section Index](#)

Tilt SST Trailer Parts

Page

50 T-100 Lift Components

51 T-100 Latch Parts

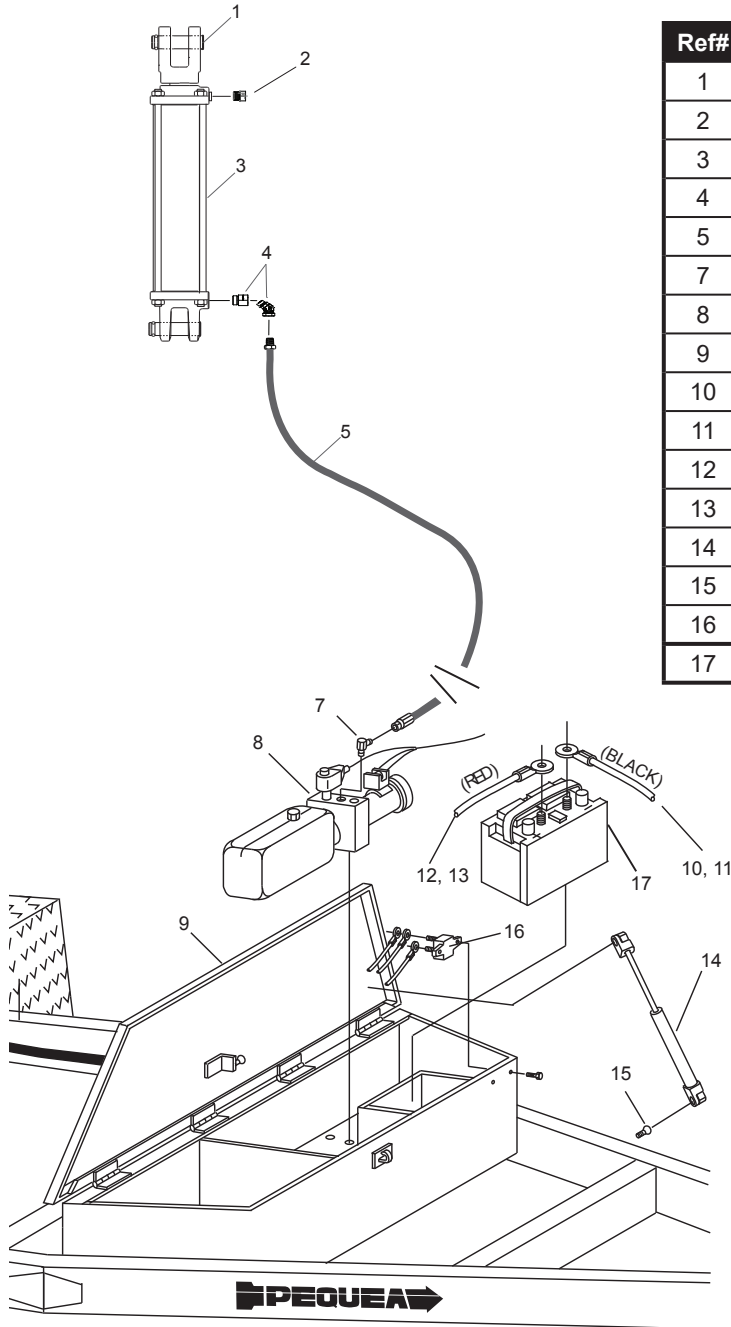
52 T-200 Cylinder

53 T-200 Latch Parts



[Back to Main Index](#)

T-100 Lift Components

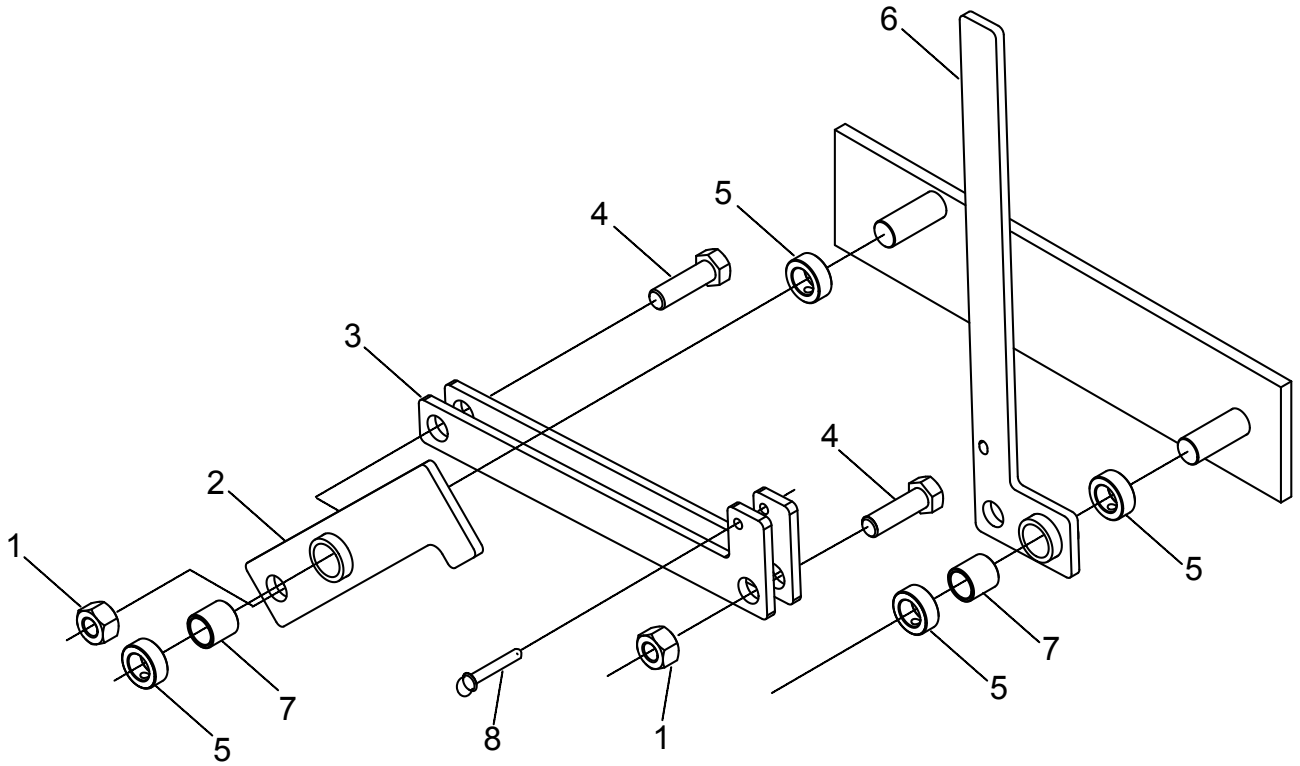


Ref#	Description	Part#
1	Cylinder Pin	102387
2	Breather	102105
3	Cylinder	510586
4	Flow Control Valve	102303
5	Hydraulic Hose	102777
7	Elbow Fitting	102775
8	Complete Power Unit	102323
9	Toolbox	102760
10	Ground Cable (Black)	102265
11	Terminal Cover (Black)	102263
12	Power Cable (Red)	102266
13	Terminal Cover (Red)	102264
14	Gas Shock	102335
15	Gas Shock Ball Stud	100992
16	30 Amp Circuit Breaker	101019
17	*12V deep cell Marine Battery	

*Recommended

[Back to Section Index](#)

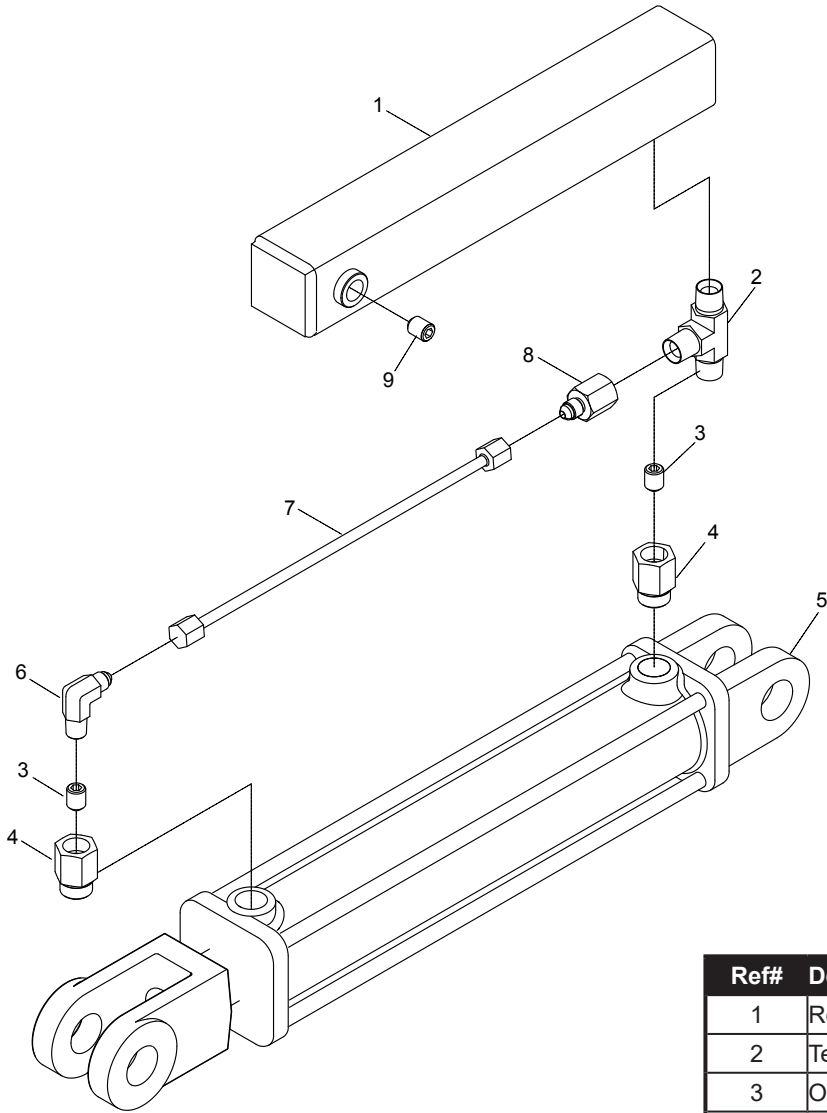
T-100 Latch Parts



Ref#	Description	Part#
1	Locknut, 3/4	000990
2	Latch	102732
3	Latch Linkage (one piece)	102703
4	Bolt, 3/4 x 2-1/2	000720
5	Shaft Collar, 1"	400143
6	Latch Handle	102731
7	Bronze Bushing	102708
8	Locking Pin	102728

[Back to Section Index](#)

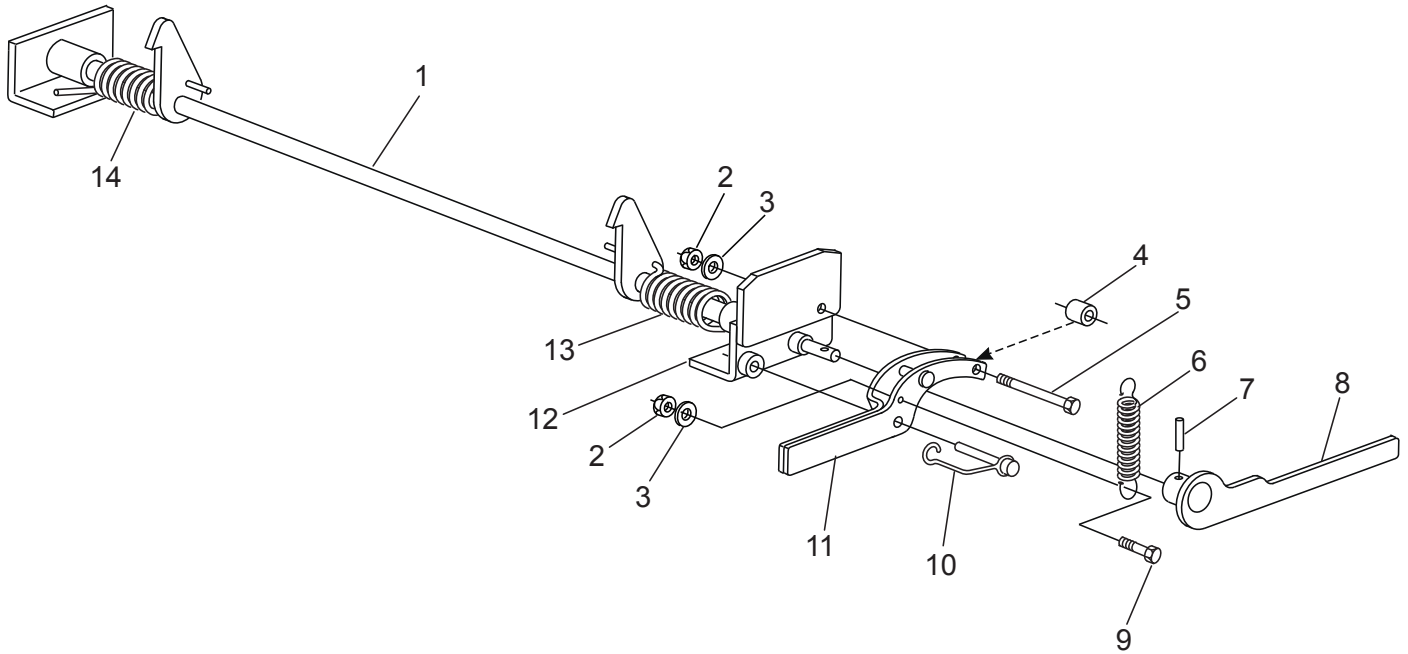
T-200 Cylinder



Ref#	Description	Part#
1	Reservoir	101919
2	Tee Fitting	101914
3	Orifice	101921
4	Hydraulic Fitting 6MP-6FP	101920
5	Cylinder	101913
6	Elbow Fitting 4MJ-6MP	101916
7	Hydraulic Tube Assembly	101918
8	Hydraulic Fitting 4MJ-6FP	101915
9	3/8" Hex Plug	101917

[Back to Section Index](#)

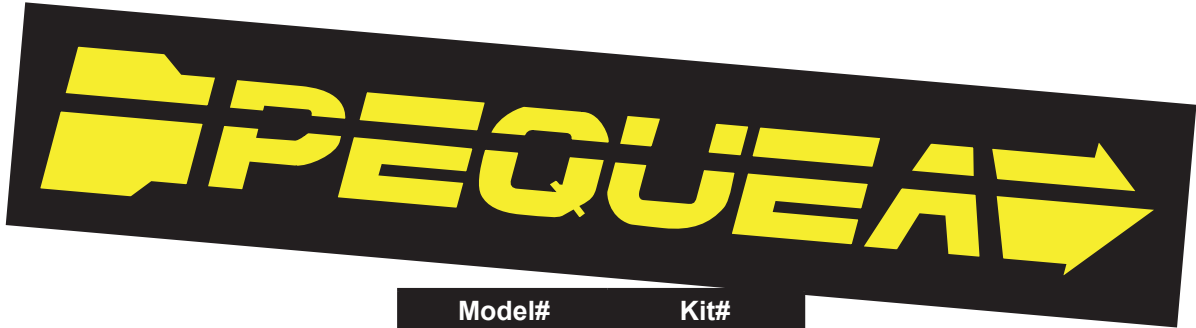
T-200 Latch Parts



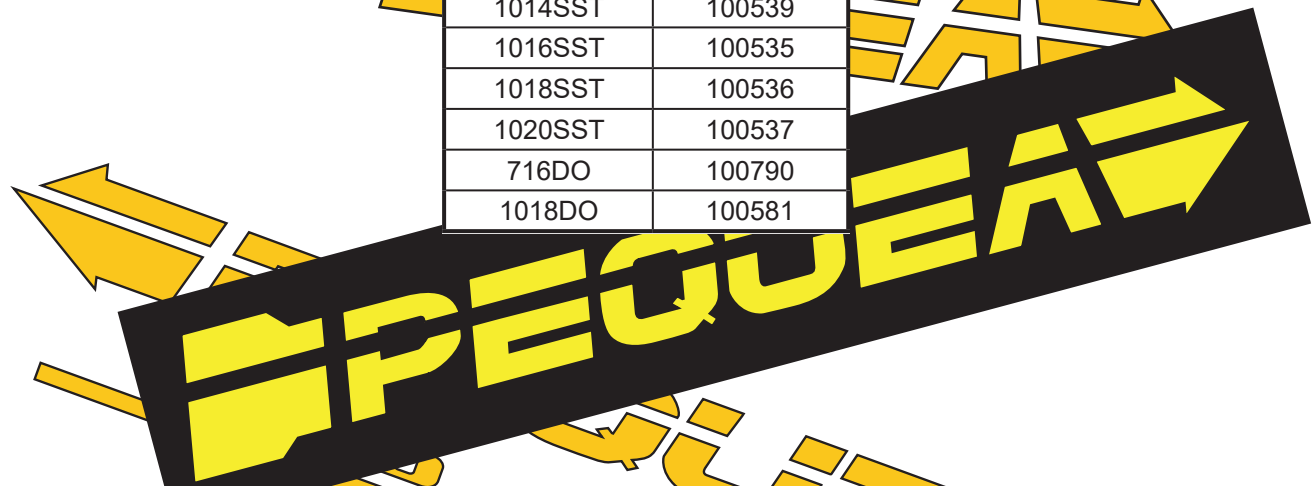
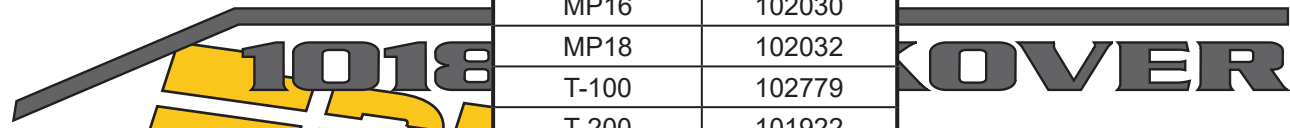
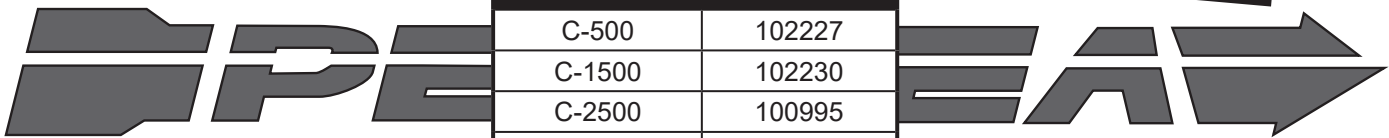
Ref#	Description	Part#
1	Latch Bar	101961
2	Locknut, 3/8	003000
3	Flatwasher, 3/8	001035
4	Locking Handle Spacer	101949
5	Bolt, 3/8 x 2-1/4	000315
6	Extension Spring	400116
7	Roll Pin, 1/4 x 1-1/4	500102
8	Latch Bar Handle	101964
9	Bolt, 3/8 x 1	000270
10	Locking Pin	100754
11	Locking Handle	101976
12	Latch Bar Mounting Bracket	101944
13	Latch Spring, Left	102223
14	Latch Spring, Right	102224

[Back to Section Index](#)

Decal Kits



Model#	Kit#
C-500	102227
C-1500	102230
C-2500	100995
MP16	102030
MP18	102032
T-100	102779
T-200	101922
1012SST	100538
1014SST	100539
1016SST	100535
1018SST	100536
1020SST	100537
716DO	100790
1018DO	100581



⚠ WARNING

CHECK WHEEL LUGS

1. On first trip, tighten wheel lugs at start and every 50 miles for first 200 miles.
2. Thereafter, check wheel lugs before each trip.
3. Following winter storage, check before beginning a trip.
4. Following excessive braking. Inspect wheel lugs.

UT008

[Back to Main Index](#)