



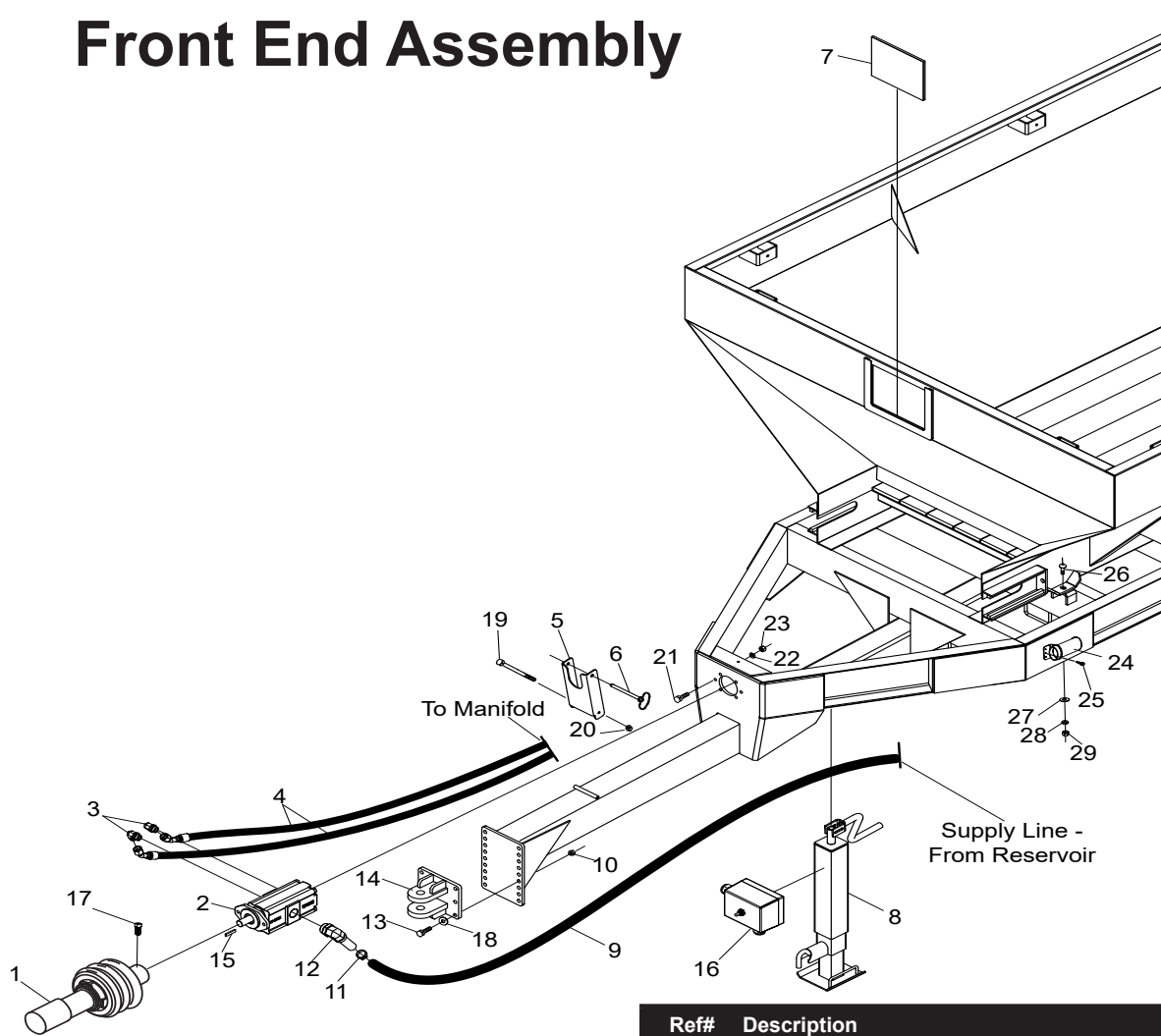
# Litter Spreader

Models SP400, SP450, SP500, SP550

## Illustrated Parts Breakdown

Page 1	Front End
Page 2	Hydraulic System (w/ Side Mounted Reservoir)
Page 3	Hydraulic System (w/ Front Mounted Reservoir)
Page 4	Hydraulic Manifold
Page 5	Switch Box
Page 6	Floor & Apron
Page 7	Axle Assembly
Page 8	Apron Drive
Page 9	Gearbox Components S/N -95785
Page 10	Gearbox Components S/N 95785+
Page 11	Rear Gate
Page 11	Rear Gate, March 2024+
Page 13	Spinner Assembly, S/N 84000-87550
Page 14	Spinner Assembly, S/N 87550+
Page 15	Fertilizer Package Option
Page 16	Dual Web Drive Option
Page 17	Heavy Duty Axle Option
Page 18	Hydraulic Endgate Option
Page 19	Ladder Option
Page 20	Lighting Options
Page 21	Mud Flap Option
Page 22	Camera Option

# Front End Assembly

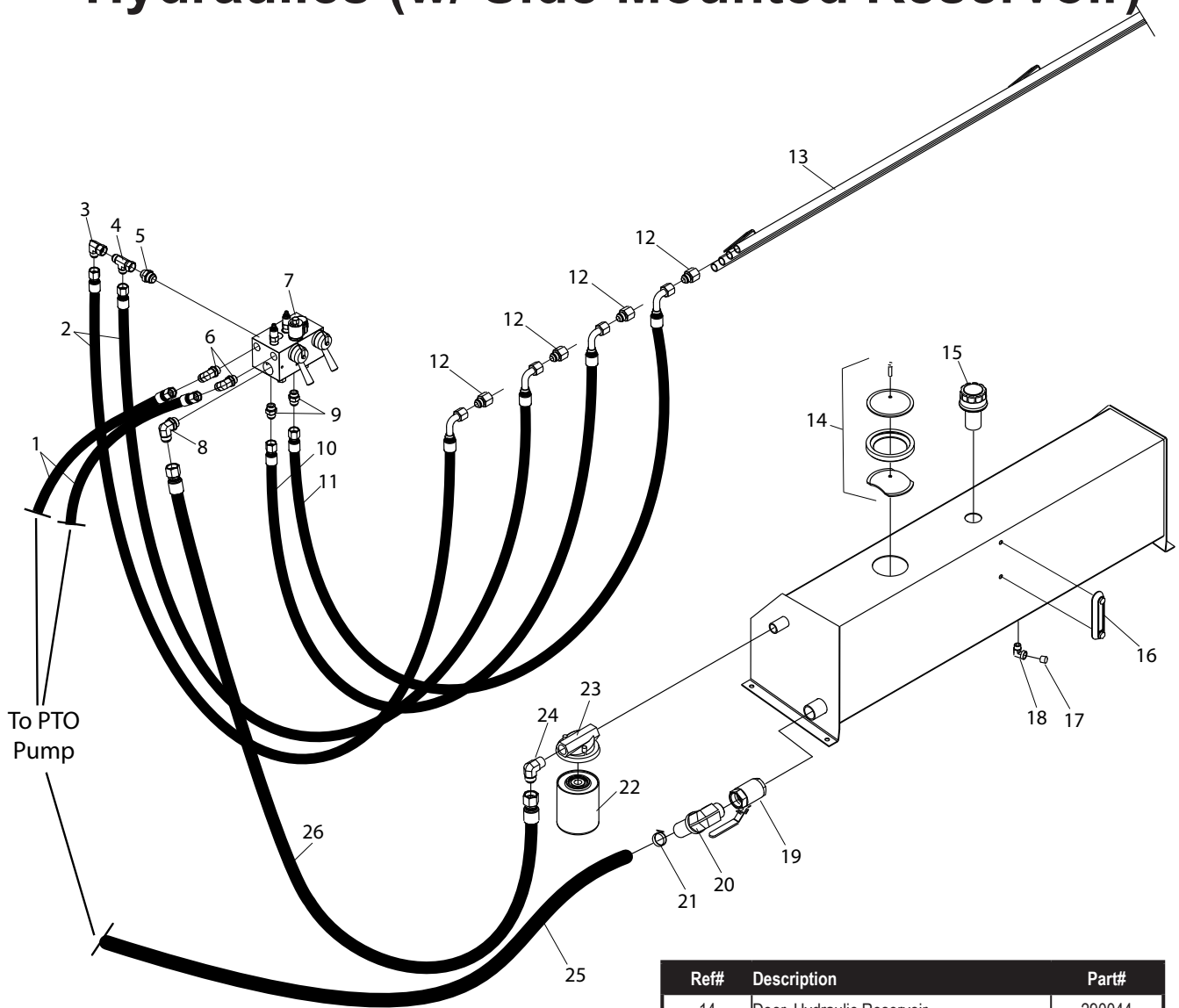


Ref#	Description	Part#
1	Complete PTO Shaft, 540 RPM	830170
	Complete PTO Shaft, 1000 RPM	830241
	Complete PTO shield kit without CV joint	830628
	Complete PTO Shaft with CV joint, 540 RPM	830244
	Complete PTO Shaft with CV joint, 1000 RPM	830245
	Complete PTO shield kit with CV joint	830612
2	PTO Pump, 1000RPM	830164
	Seal Kit for 1000 RPM Pump	830347
2	PTO Pump, 1000RPM	**830231
2	PTO Pump, 540RPM	830236
	Seal kit for 540 RPM Pump	830346
3	Elbow Fitting, 12MJ x 12MB	290022
4	94" Hose Assembly	830338
5	PTO Stand	830114
6	1/2 x 6-1/2 Hitch Pin	830243
7	Sight Window	830319
8	Drop Leg Jack	100155
9	111" Suction Hose	830340

\*\*Used for Double Drive Option Only

Ref#	Description	Part#
10	5/8-11 Top Lock Nut, Zinc	900145
11	Hose Clamp	290042
12	Elbow Fitting, 24HB x 24MB	290027
13	Hex Bolt, 5/8 x 2-1/4 Zinc	000626
14	Bolt-on Hitch	830056
15	Pump Shaft Key	830344
16	Switchbox	830242
17	3/8"-16 x 3/4" Cup Point Square Drive Set Screw	000244
18	5/8 SAE Flat Washer Zinc	001076
19	3/8"-16 x 6-1/2" Hex Head Bolt, Gr.5 Zinc	000339
20	3/8-16 Nylon Lock Nut, Zinc	003000
21	1/2"-13 x 2" Hex Head Bolt, Gr.5 Zinc	000452
22	1/2" Lock Washer, Zinc	000840
23	1/2"-13 Hex Nut, Gr.5 Zinc	000940
24	Owner's Manual Canister	503050
25	#1/4-14 X 3/4 Self Drill Screw	000115
26	5/8-11 X 2 Carriage Bolt, Gr.5 Zinc	000617
27	5/8 SAE Flat Washer Zinc	001076
28	5/8 Lock Washer, Zinc	000860
29	5/8-11 Hex Nut, Gr.5 Zinc	000970

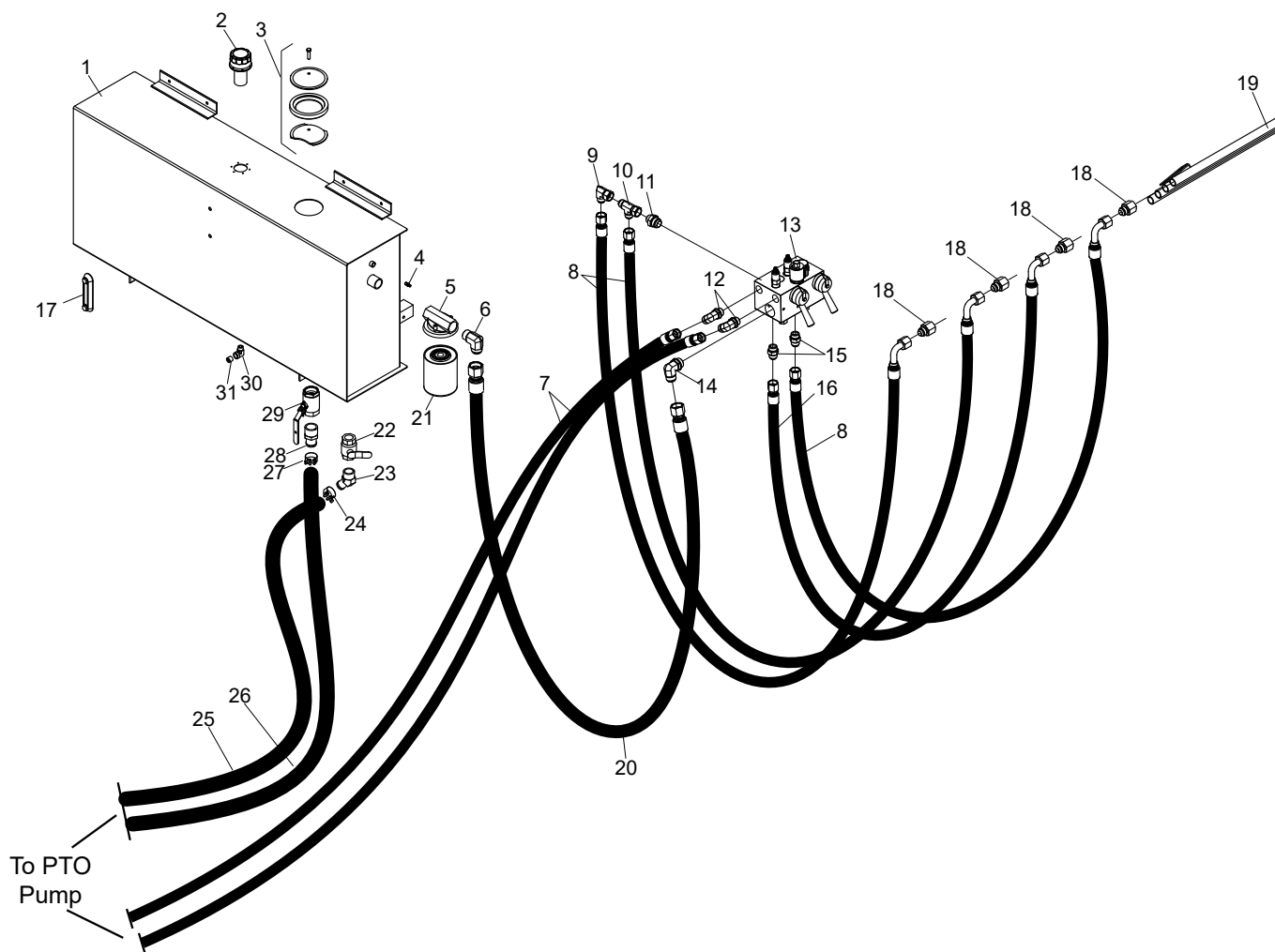
# Hydraulics (w/ Side Mounted Reservoir)



Ref#	Description	Part#
1	94" Hose Assembly	830338
2	27" Hose Assembly	830336
3	Elbow Fitting, 12MJ x 12FJX	290150
4	T-Fitting, 12MJ x 12FJX x 12MJ	290034
5	Straight Fitting 12MJ x 16MB	290198
6	Elbow Fitting, 12MJ x 12MB	290022
7	Manifold Assembly	830150
8	Elbow Fitting, 16MJ x 16MB	290020
9	Straight Fitting 12MJ x 12MB	290065
10	29" Hose Assembly	830337
11	27" Hose Assembly	830336
12	Straight Fitting, 12MJ x 12FP	290019
13	Pipe Assembly, SP400	830211
	Pipe Assembly, SP450	830143
	Pipe Assembly, SP500	830220
	Pipe Assembly, SP550	830229

Ref#	Description	Part#
14	Door, Hydraulic Reservoir	290044
15	Breather Cap	290142
16	Hydraulic Sight Gauge	290054
17	Pipe Plug	290025
18	Elbow Fitting, 8MP x 8FP	290016
19	Ball Valve	290026
20	Elbow Fitting, 24HB x 24MP	290014
21	Hose Clamp	290042
22	Oil Filter	830116
23	Filter Head	830117
24	Elbow Fitting, 16MJ x 16MP	290023
25	111" Suction Hose	830340
26	40" Hose Assembly	830339

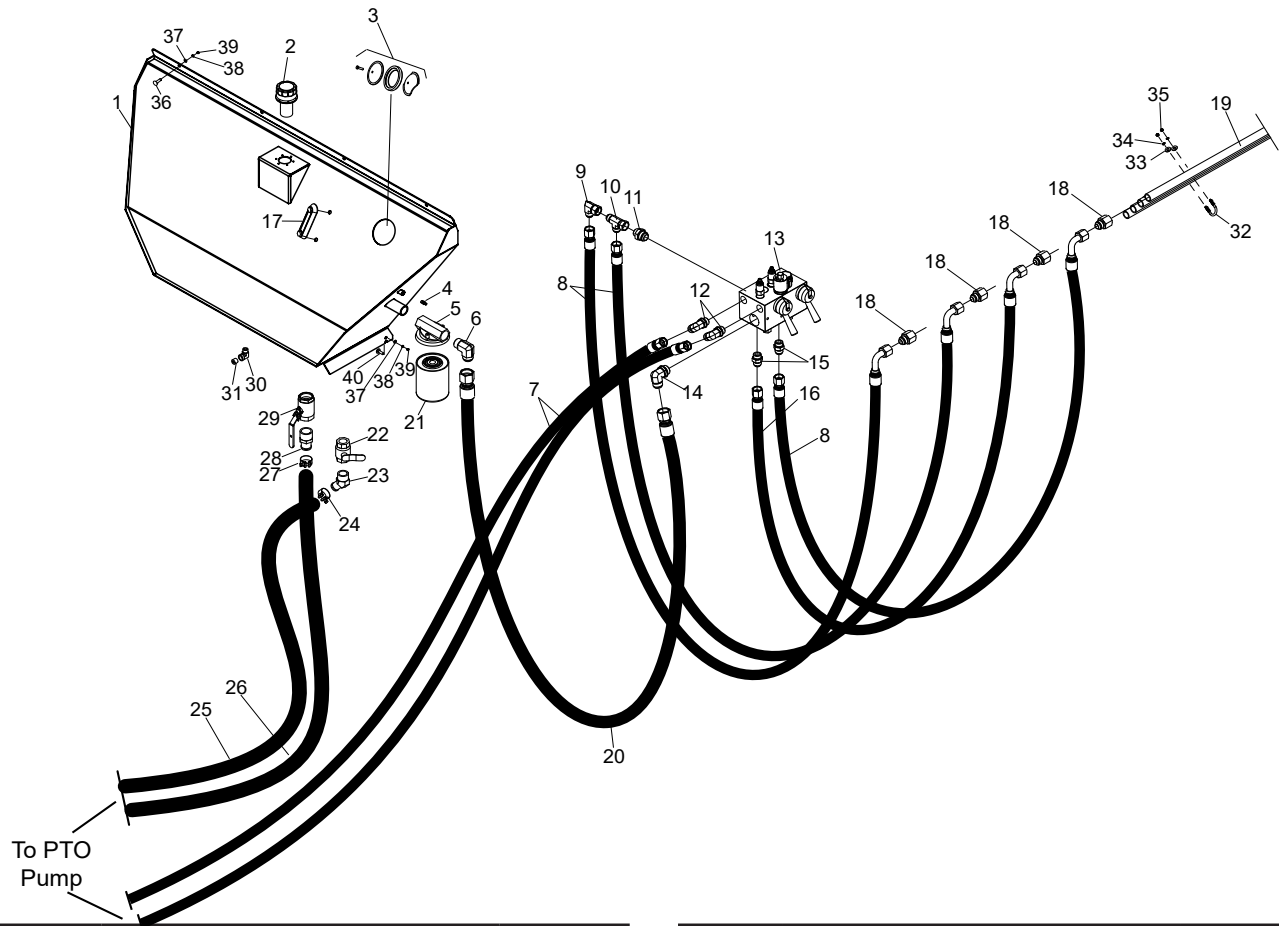
# Hydraulics (w/ Front Mounted Reservoir)



Ref#	Description	Part#
1	60 Gallon Reservoir	830249
2	Breather Cap	290142
3	Door, Hydraulic Reservoir	290044
4	Push Lock Fitting	290036
5	Folter Head	830361
6	Elbow Fitting, 20MJ x 20MP	830360
7	94" Hose Assembly	830338
8	27" Hose Assembly	830336
9	Elbow Fitting, 12MJ x 12FJX	290150
10	T-Fitting, 12MJ x 12FJX x 12MJ	290034
11	Straight Fitting 12MJ x 16MB	290198
12	Elbow Fitting, 12MJ x 12MB	290022
13	Manifold Assembly	830150
14	Elbow Fitting, 16MJ x 16MB	290020
15	Straight Fitting 12MJ x 12MB	290065
16	29" Hose Assembly	830337
17	Hydraulic Sight Guage	290054
18	Straight Fitting, 12MJ x 12FP	290019

Ref#	Description	Part#
19	Pipe Assembly, SP400	830211
	Pipe Assembly, SP450	830143
	Pipe Assembly, SP500	830220
	Pipe Assembly, SP550	830229
20	100" Hose Assembly	830362
21	Elbow Fitting, 20MJ x 20MP	830360
22	1-1/4" Ball Valve	830355
23	Elbow Fitting, 20HB x 20MP	830356
24	1-1/4" Hose Clamp	290169
25	46" x 1-1/4 Suction Hose	830393
26	46" x 1-1/2 Suction Hose	830394
27	1-1/2" Hose Clamp	290042
28	Straight Fitting, 24HB x 24MP	830366
29	1-1/2" Ball Valve	290026
30	Elbow Fitting, 8MP x 8FP	290016
31	#8 Pipe Plug	290025

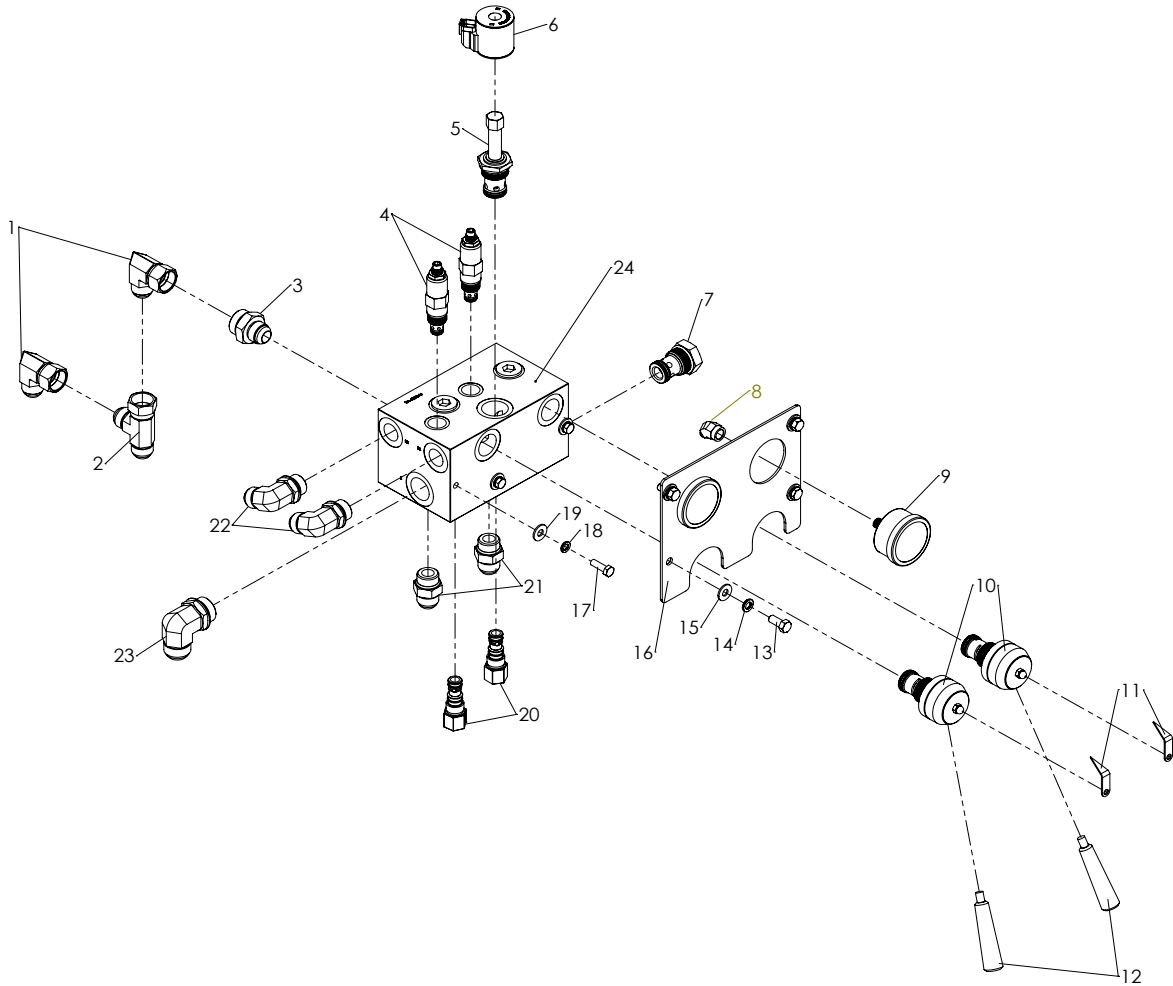
# Hydraulics (w/ Front Mounted Angled Reservoir)



Ref#	Description	Part#
1	Litter Spreader Tank Weldment	830640
2	Breather Cap	290142
3	Door, Hydraulic Reservoir	290044
4	Push Lock Fitting	290036
5	Folter Head	830361
6	Elbow Fitting, 20MJ x 20MP	830360
7	94" Hose Assembly	830338
8	27" Hose Assembly	830336
9	Elbow Fitting, 12MJ x 12FJX	290150
10	T-Fitting, 12MJ x 12FJX x 12MJ	290034
11	Straight Fitting 12MJ x 16MB	290198
12	Elbow Fitting, 12MJ x 12MB	290022
13	Manifold Assembly	830150
14	Elbow Fitting, 16MJ x 16MB	290020
15	Straight Fitting 12MJ x 12MB	290065
16	29" Hose Assembly	830337
17	Hydraulic Sight Gauge	290054
18	Straight Fitting, 12MJ x 12FP	290019
19	SI-10 Hydraulic Line	830526
20	100" Hose Assembly	830362

Ref#	Description	Part#
21	Elbow Fitting, 20MJ x 20MP	830360
22	1-1/4" Ball Valve	830355
23	Elbow Fitting, 20HB x 20MP	830356
24	1-1/4" Hose Clamp	290169
25	46" x 1-1/4 Suction Hose	830393
26	46" x 1-1/2 Suction Hose	830394
27	1-1/2" Hose Clamp	290042
28	Straight Fitting, 24HB x 24MP	830366
29	1-1/2" Ball Valve	290026
30	Elbow Fitting, 8MP x 8FP	290016
31	#8 Pipe Plug	290025
32	1/4"-20, 3/4 PIPE U-Bolt	705048
33	1/4 USS Flat Washer, Zinc	001020
34	1/4" Split Lock Washer Zinc	000805
35	1/4"-20 Hex Nut, Gr.5 Zinc	000900
36	3/8-16 X 1 Carriage Bolt, Gr.5 Zinc	000125
37	3/8 USS Flat Washer, Zinc	001035
38	3/8 Lock Washer, Zinc	000820
39	3/8-16 Hex Nut, Gr.5 Zinc	000915
40	3/8-16 X 1-1/4 Carriage Bolt, Gr.5 Zinc	000275

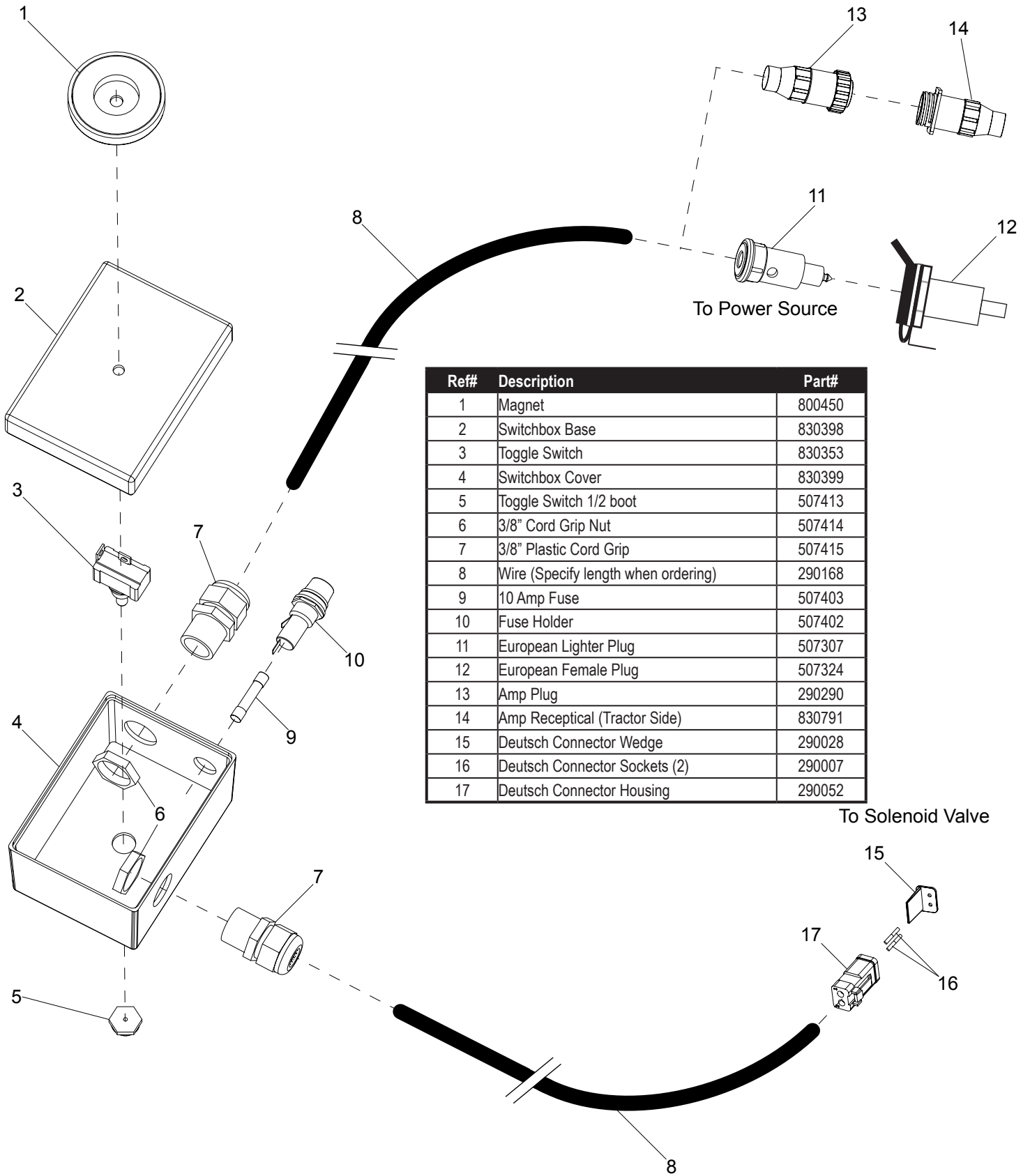
# Hydraulic Manifold



Ref#	Description	Part#	Qty.
1	Elbow Fitting, 12MJ x 12FJX	290150	1
2	T-Fitting, 12MJ x 12FJX x 12MJ	290034	1
3	Straight Fitting, 12MJ x 16MB	290198	1
4	Relief Valve	830322	2
5	Solenoid Valve	830320	1
6	Coil, Solenoid Valve	830325	1
7	Check Valve	830321	1
8	2505-4-4	290295	2
9	SPG 3000 PSI Pressure Gauge	290293	2
10	Valve w/ Handle	830324	2
11	Valve Indicator	830136	2
12	Valve Handle	830162	2
13	3/8-16 X 7/8 Hex Head Bolt Gr.5, Zinc	000250	4

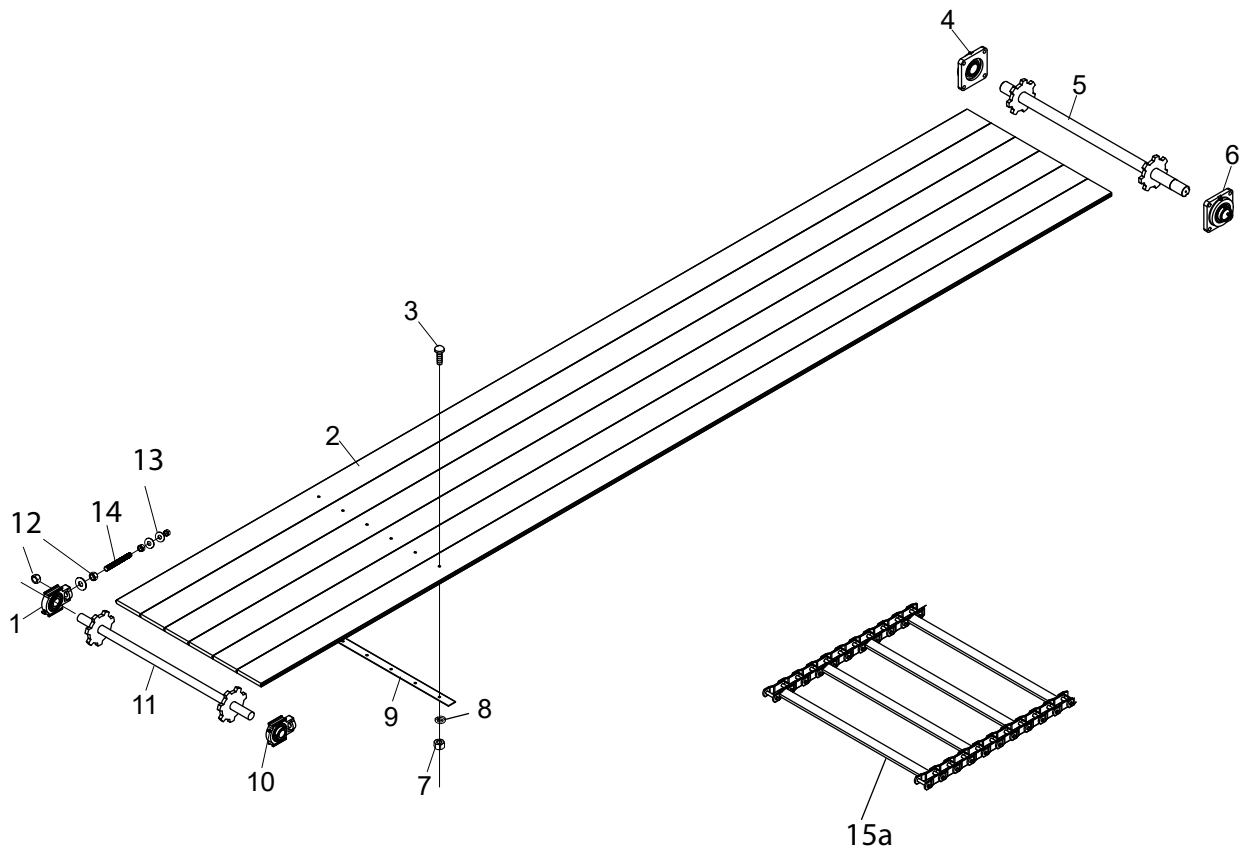
Ref#	Description	Part#	Qty.
14	3/8 Lock Washer, Zinc	000820	4
15	5/16" USS Flat Washer, Zinc	001030	7
16	SP/SL Manifold Access Cover	830809	1
17	5/16-18 X 1 H.H. Bolt Gr. 5 Zinc	000221	3
18	5/16 Lock Washer, Zinc	000810	3
19	5/16" USS Flat Washer, Zinc	001030	3
20	Directional Valve	806140	2
21	Straight Fitting, 12MJ x 12MB	290065	2
22	Elbow Fitting, 12MJ x 12MB	290022	2
23a	Elbow Fitting, 16MJ x 16MB	290020	1
23b	Double Web Drive Elbox Fitting, 20MJ x 16MB	830359	1
24	Poultry Spreader Manifold	830149	1

# Switchbox



Ref#	Description	Part#
1	Magnet	800450
2	Switchbox Base	830398
3	Toggle Switch	830353
4	Switchbox Cover	830399
5	Toggle Switch 1/2 boot	507413
6	3/8" Cord Grip Nut	507414
7	3/8" Plastic Cord Grip	507415
8	Wire (Specify length when ordering)	290168
9	10 Amp Fuse	507403
10	Fuse Holder	507402
11	European Lighter Plug	507307
12	European Female Plug	507324
13	Amp Plug	290290
14	Amp Receptical (Tractor Side)	830791
15	Deutsch Connector Wedge	290028
16	Deutsch Connector Sockets (2)	290007
17	Deutsch Connector Housing	290052

# Floor & Apron



Ref#	Description	Part#
1	Sliding Bearing	801099
2	189" Poly Floor Board, SP400	830599
	213" Poly Floor Board, SP450	830156
	237" Poly Floor Board, SP500	830232
	261-1/2" Poly Floor Board, SP550	830233
3	Carriage Bolt, 3/8" x 1-1/2"	000151
4	4-Bolt Flange Bearing	801100
5	Apron Shaft, Rear	830037
6	4-Bolt Flange Bearing	801100

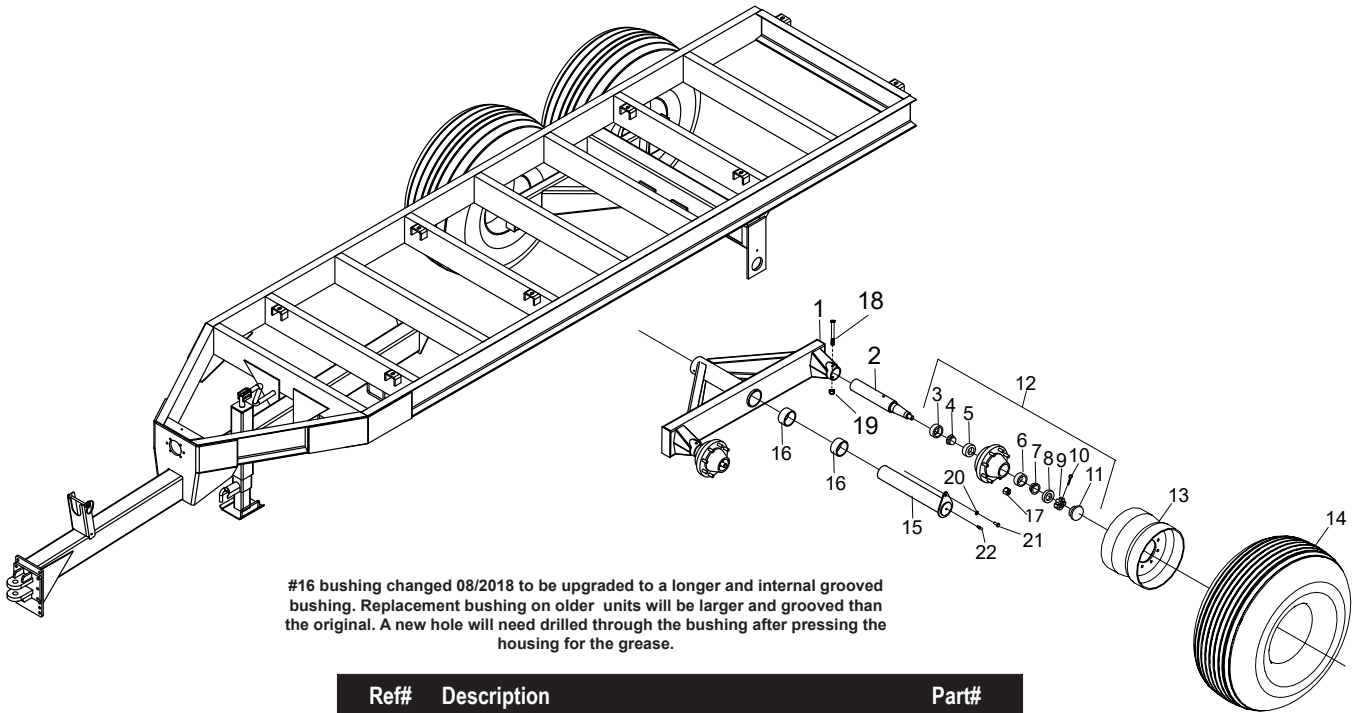
Ref#	Description	Part#
7	Hex Nut, 3/8"	000915
8	3/8 Lock Washer, Zinc	000820
9	Floor Hold Down Strip	830168
10	Grease Fitting, 1/4-28 45°Zert	701171
11	Apron Shaft, Front	830124
12	3/4"-10 Hex Nut	000975
13	3/4" SAE Flat Washer	001086
14	3/4"-10 All Thread x 8.875"	801175
15a	10' Section of Web Slat, Slat every 3rd Link	830172
15b	10' Section of Web Slat, Slat every Other Link	830214

## Length of Web Slat Required

SP400	34'
SP450	38'
SP500	42'
SP550	46'



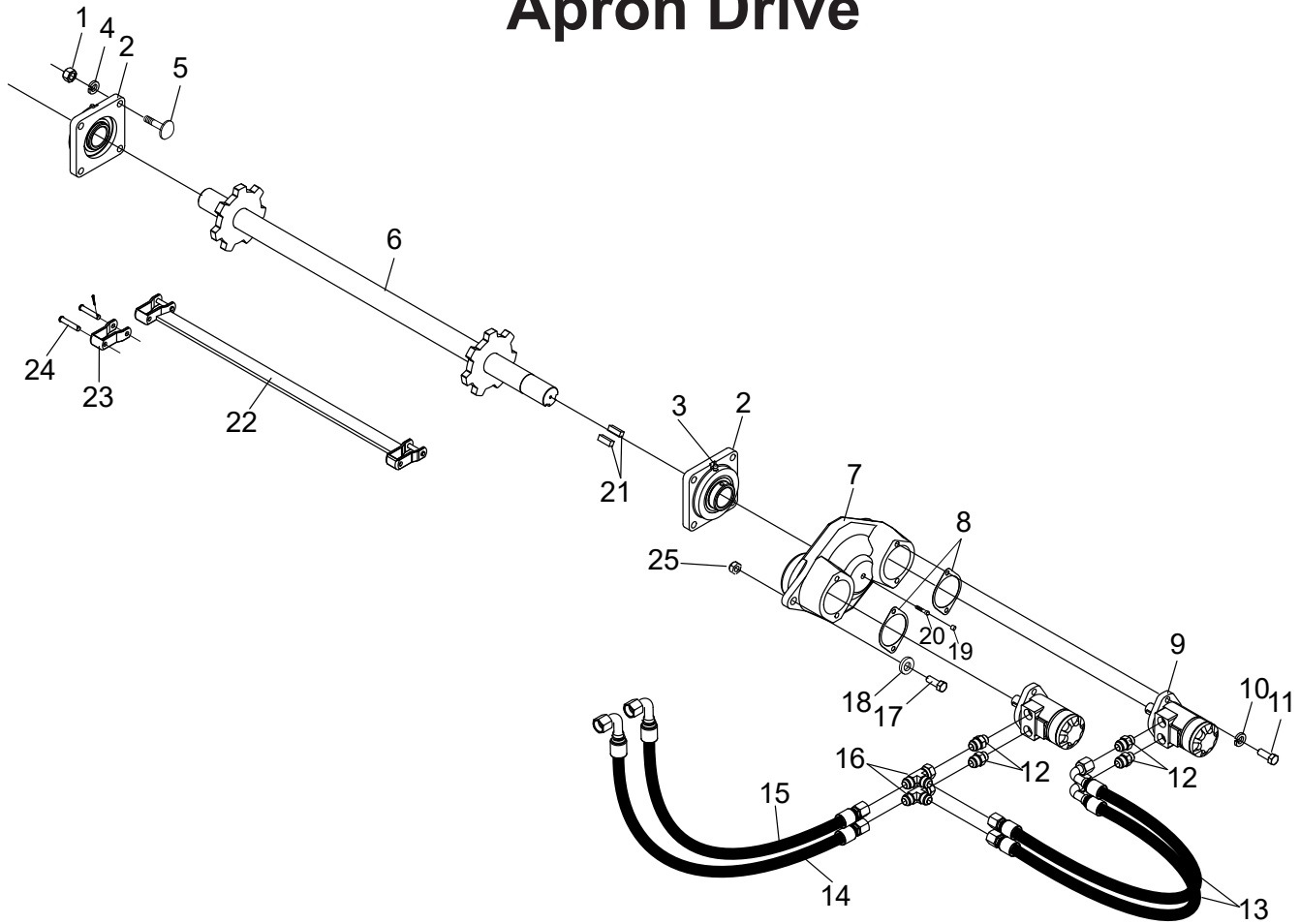
# Axle Assembly



#16 bushing changed 08/2018 to be upgraded to a longer and internal grooved bushing. Replacement bushing on older units will be larger and grooved than the original. A new hole will need drilled through the bushing after pressing the housing for the grease.

Ref#	Description	Part#
1	Walking Beam Weld Assembly	830010
2	Spindle	830044
3	Grease Seal	300431
4	Bearing 387AS	300430
5	Race, 382A	101428
6	Race, LM501310	300247
7	Bearing, LM501349	300248
8	Spindle Washer	890585
9	Spindle Nut	300275
10	Cotter Pin, 1/4 x 2-1/4	001231
11	Dust Cap	300249
12	Complete Hub	830045
13a	8 Bolt Wheel, 16.1" x 14" -Cream	830235
13b	8 Bolt Wheel, 16.1" x 16" -Silver	830047
14a	16.5L x 16.1 Tire	830234
14b	19L x 16.1 Tire	830050
14c	21.5L x 16.1 x 10 Ply Tire	830258
15	Pivot Pin	830042
16	Bronze Bushing, Grooved, 4" Long	800619
17	Lug Nut, - 1288 Hub (5/8" Fine)	300278
18	1/2"-13 x 4 1/2" Hex Head Grade 5 Zinc Bolt	000500
19	1/2"-13 Nylon Insert Grade 5 Zinc Nut	000950
20	1/2" Lock Washer, Zinc	000840
21	1/2-13 X 1-1/2 Hex Head Bolt, Gr.5 Zinc	000435
22	Grease Fitting, 1/8-NPT Zert	400118

# Apron Drive



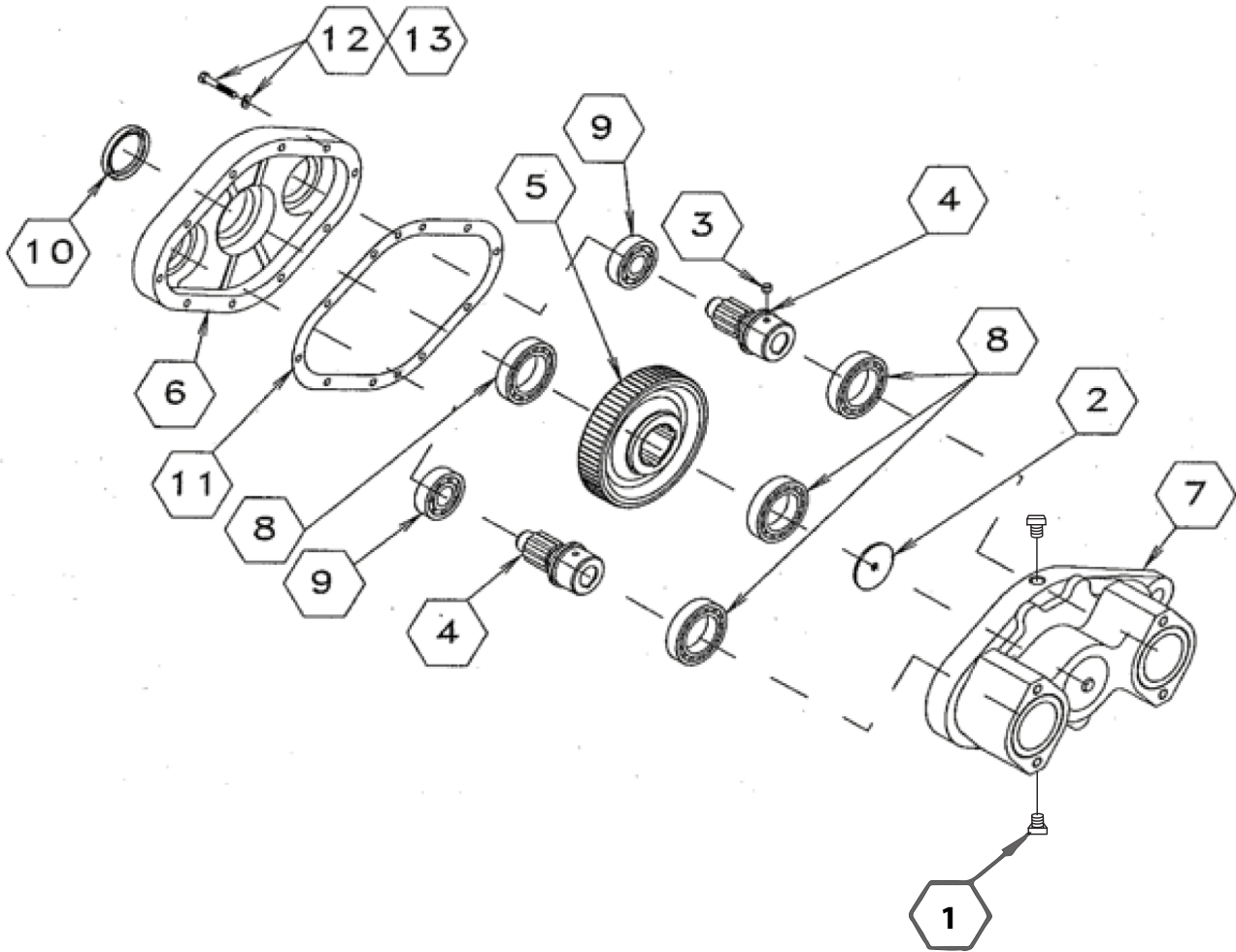
\*Note: Double Drive Gearbox (ID 7) was changed at serial number 95785. Old gearbox (801098) is no longer available and will be substituted with new gearbox (801418). Limited Parts are available for old gearbox.

Ref#	Description	Part#
1	Hex Nut, 5/8	000970
2	4-Bolt Flange Bearing	801100
3	Grease Fitting, 1/4-28 45° Zert	701171
4	Split Lock Washer, 5/8	000860
5	Carriage Bolt, 5/8 x 2	000617
6	Rear Web Shaft	830037
7	Double Drive Gearbox	801418
	Shaft Seal for Gearbox	800136
8	Gasket	830251
9	Drive Motor (101-1037)	830171
	Seal Kit for Drive Motor	800135
10	Split Lock Washer, 1/2	000840
11	Hex Bolt, 1/2 x 1-1/2	000435
12	Straight Fitting, 12MJ x 10MB	290001

Ref#	Description	Part#
13	25" Hose Assembly	830333
14	25" Hose Assembly	830335
15	27" Hose Assembly	830334
16	T-Fitting, 12MJ x 12FJX x 12MJ	290034
17	Hex Bolt, 5/8 x 2-1/4	000626
18	USS Flat Washer, 5/8	001075
19	Plug, 1/2" NPT	290025
20	Socket Head Bolt, 5/16 x 1-1/4	000231
21	Key, 1/2 x 1/2 x 1-1/2	830329
22	Slat Assembly	830327
23	Connector Link w/ Pin	830326
24	Connector Pin	830328
25	5/8-11 Nylon Lock Nut, Gr.5 Zinc	000972

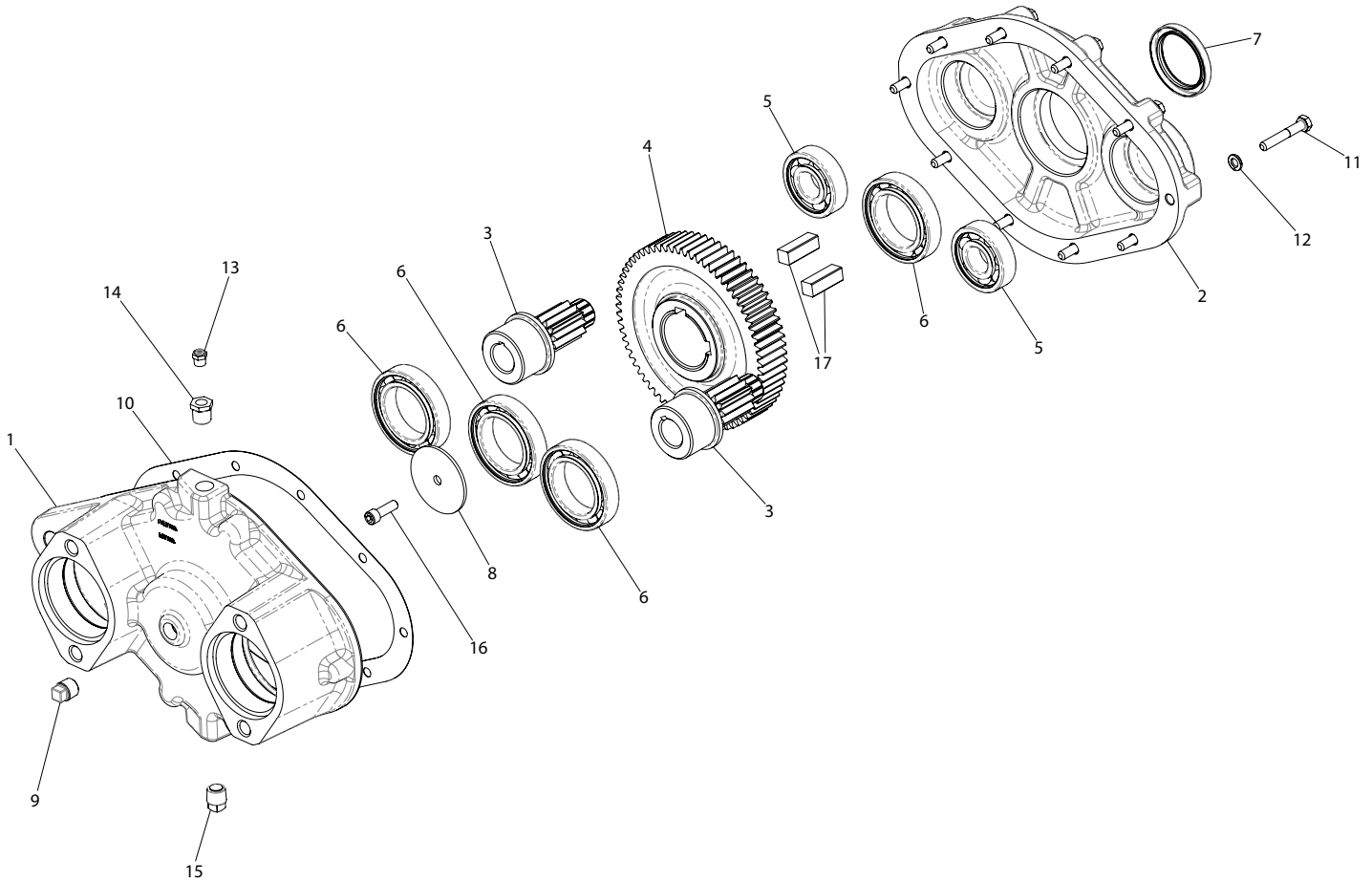
# Gearbox Components S/N -95785

\*Limited Parts Available. Can substitute complete gearbox with Part # 801418



Ref#	Description	Part#
1	Plugs and Keys	830700
2	Washer	830701
3	Plug-Delrin	830702
4	Gear-Pinion	830703
5	Gear-Driven	830704
6	Housing-Inboard	830705
7	Housing-Outboard	830706
8	Bearing	830707
9	Bearing	830708
10	Oil Seal	800136
11	Gasket	830709
12	Lock Washer	000810
13	Capscrew	000122

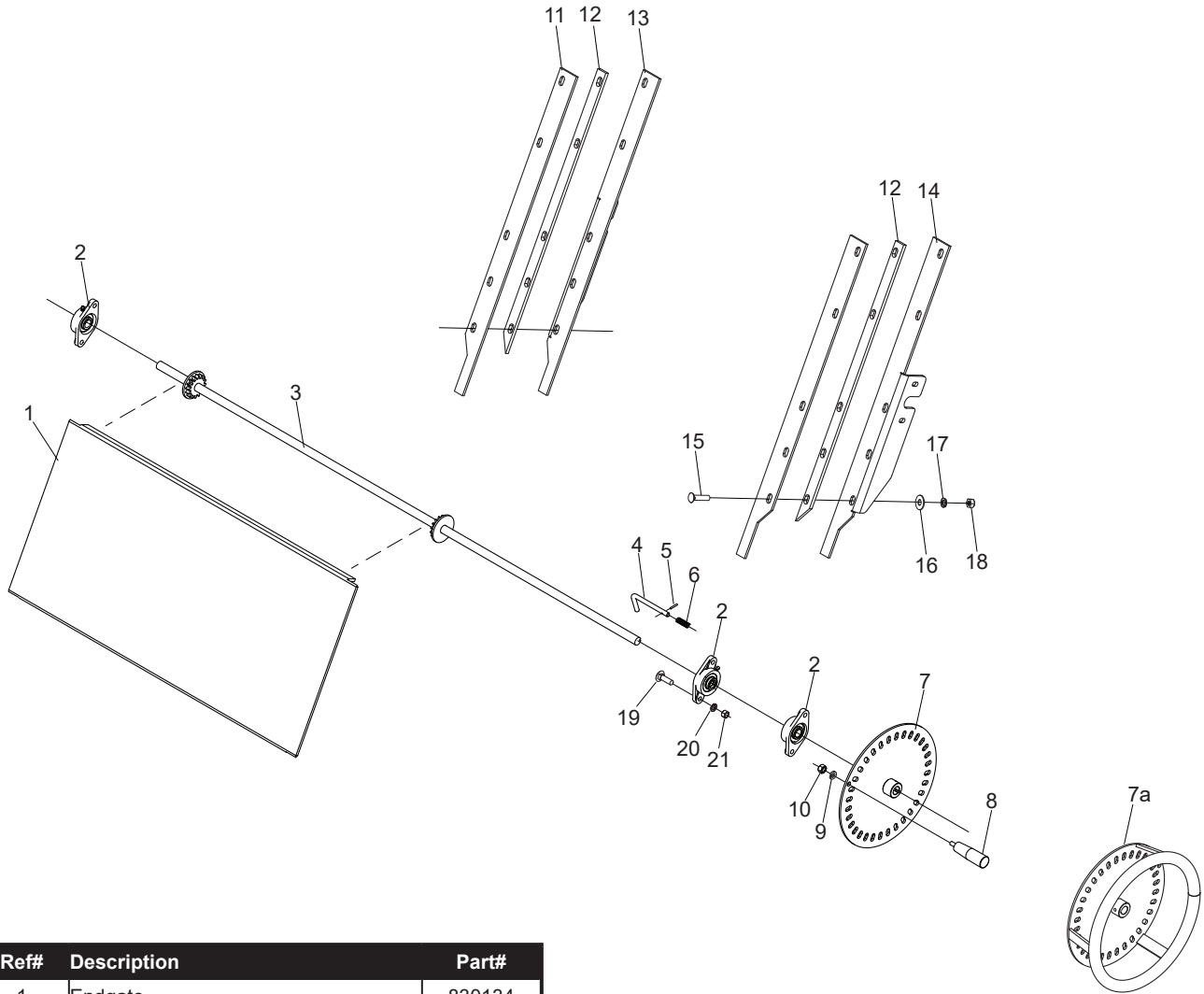
# Gearbox Components S/N 95785+



Ref#	Description	Part#
1	Outer Housing	801435
2	Inner Housing	801436
3	11 Tooth Spur Gear	801422
4	67 Tooth Spur Gear	801423
5	6305 C3 Ball Bearing	801424
6	6010 C3 Ball Bearing	801425
7	1.969-2.627-.312	801437
8	2.50 x .34 x .120 Washer	801427
9	3/8" NPT Square Head Plug w/ 3M	801428

Ref#	Description	Part#
10	IP39 Gasket	801438
11	5/16" x 2" Hex Head Bolt, Gr. 8	000122
12	5/16" Lock Washer	000810
13	1/8" NPT Vent Plug, 5 PSI	801430
14	3/8" NPT x 1/8" NPT Bushing	801431
15	3/8" NPT MAG Square Head Plug	801432
16	5/16" x 1" Gr. 8 Bolt	401434
17	1/2" x 1/2" x 1-1/2" Key	801439
18	Complete Gearbox	801418

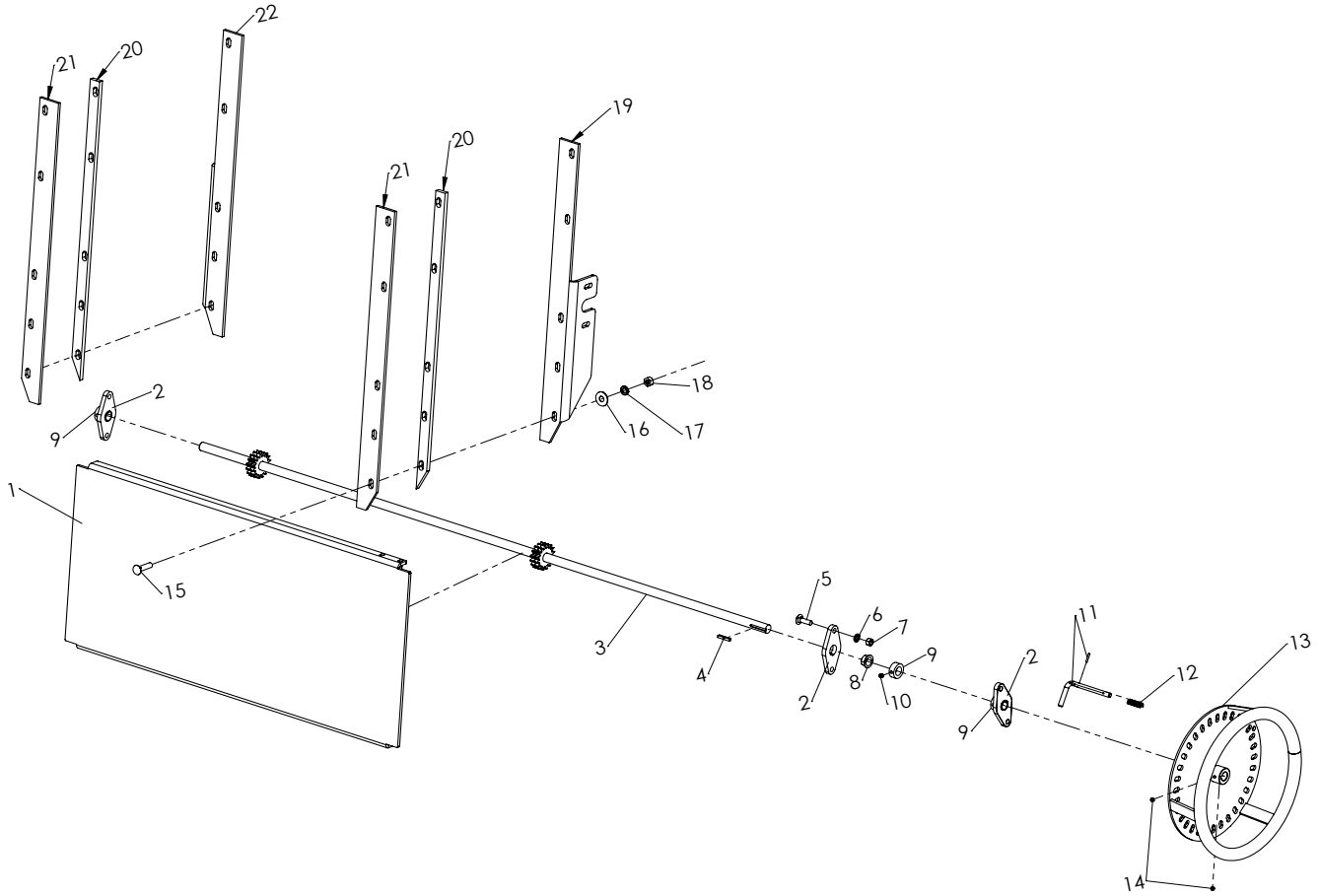
# Rear Gate



Ref#	Description	Part#
1	Endgate	830134
2	2-Hole Flange Bearing	806108
3	Endgate Shaft	830109
4	Latch Pin	806052
5	Roll Pin, 1/8 x 3/4	000561
6	Endgate Latch Spring	806166
7	Endgate Wheel	806131
7a	Endgate Wheel (S/N 85800+)	830543
8	Endgate Wheel Handle	806099
9	Lock Washer, 5/16	000810
10	Hex Nut, 5/16	000910
11	Inner Endgate Track, Bolt-on	830072

Ref#	Description	Part#
12	Endgate Track Spacer	830075
13	Outer Endgate Track, Right	830088
14	Outer Endgate Track, Left	830592
15	7/16-14 x 1-3/4 Carriage Bolt	000363
16	7/16 USS Flat Washer Zinc	001045
17	7/16 Split Lock Washer Zinc	000830
18	7/16-14 Hex Nut, Gr.5 Zinc	000935
19	3/8-16 X 1-1/4 Carriage Bolt, Zinc Gr. 5	000150
20	3/8 Lock Washer, Zinc	000820
21	3/8-16 Hex Nut, Gr.5 Zinc	000915

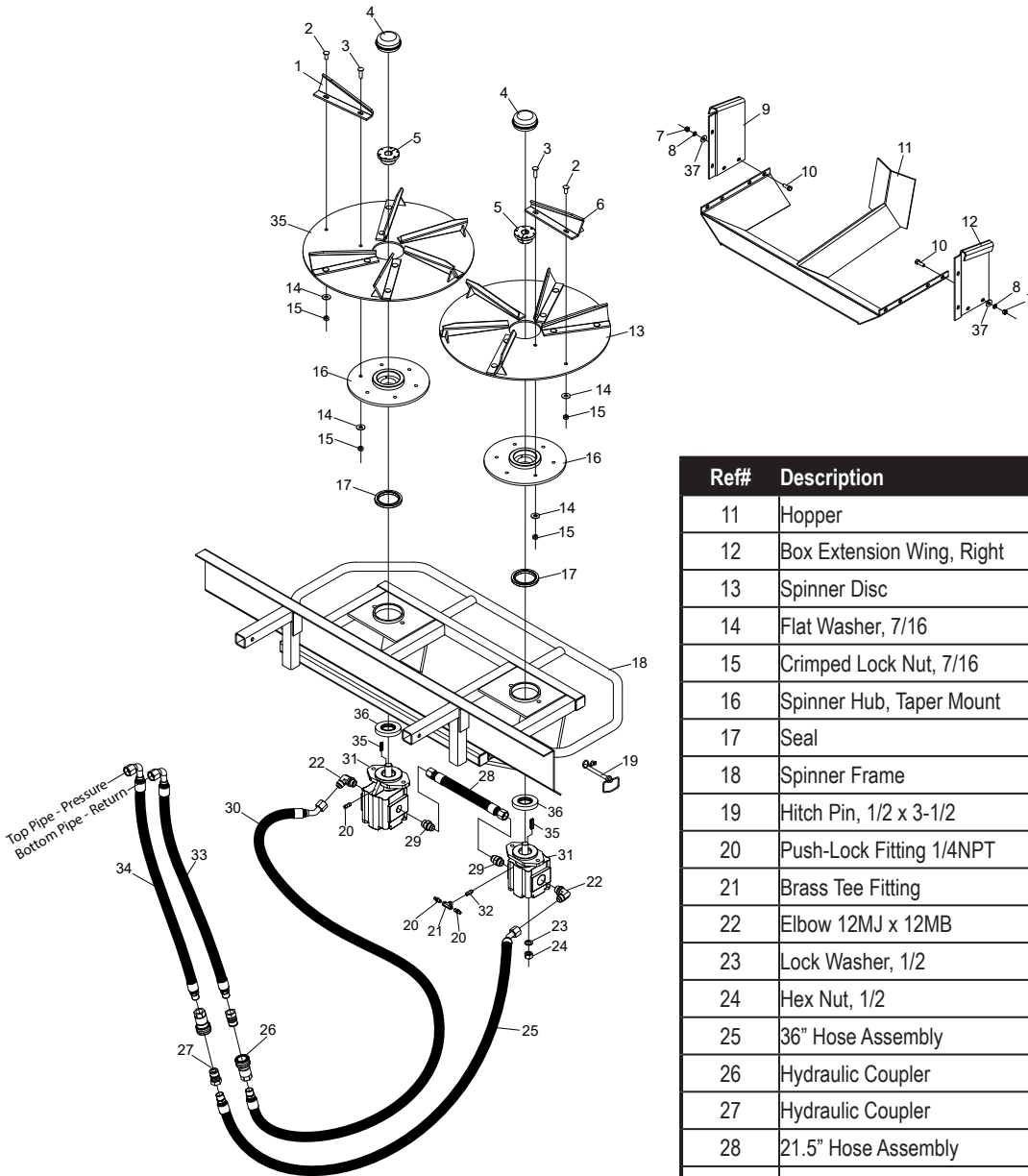
# Rear Gate - March 2024+



Ref#	Description	Part#
1	Endgate	830134
2	Plastic Bushing Endgate Assembly	806275
3	Endgate Shaft	830109
4	Key, 3/16 X 1 1/4	401264
5	3/8-16 X 1-1/4 Carriage Bolt, Zinc Gr. 5	000150
6	3/8 Lock Washer, Zinc	000820
7	3/8-16 Hex Nut, Gr.5 Zinc	000915
8	Endgate Bushing GFI_1214_08	806276
9	Oversized 3/4" Shaft Collar	806277
10	5/16-18 x 5/16 Set Screw Cone Point	001128
11	1/8 X 3/4 Roll Pin Stainless Steel	000561
12	Endgate Latch Spring	806166

Ref#	Description	Part#
13	Endgate Wheel Weldment	830543
14	1/4-28 X 1/4 Set Screw	001111
15	7/16-14 X 1-3/4 Carriage Bolt	000363
16	7/16 USS Flat Washer Zinc	001045
17	7/16 Split Lock Washer Zinc	000830
18	7/16-14 Hex Nut, Gr.5 Zinc	000935
19	Outer Endgate Track, Left	830592
20	Track Spacer	830075
21	Endgate Track,- Inner	830072
22	Outer Endgate Track,- Right	830088

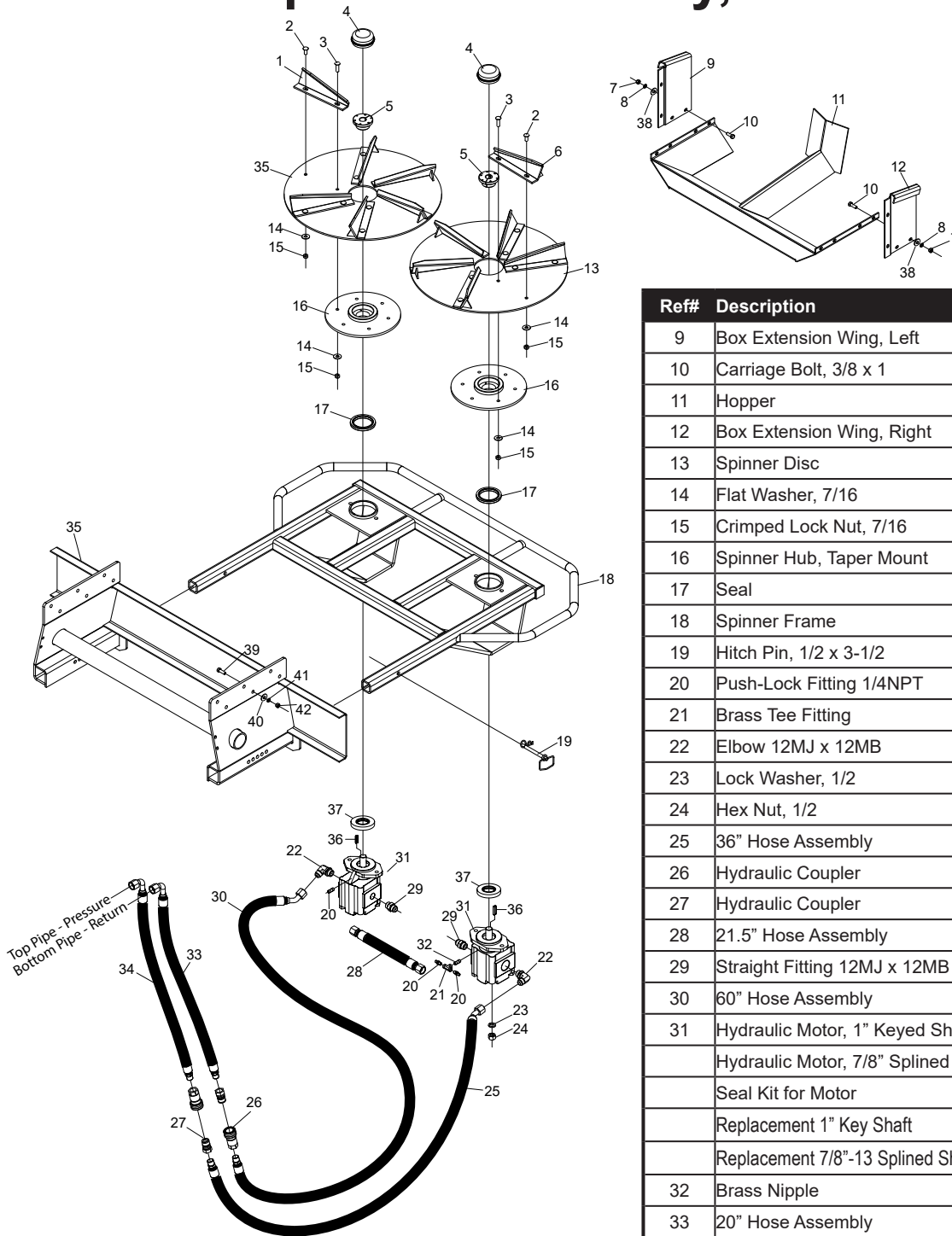
# Spinner Assembly, 84000-87550



Ref#	Description	Part#
1	Spinner Paddle, Right	830265
2	Carriage Bolt, 7/16 x 1	000356
3	Carriage Bolt, 7/16 x 1-1/2	000359
4	Cap	830314
5	Tapered Bushing, 1" Round	505420
	Tapered Bushing, 7/8" Splined	830351
6	Spinner Paddle, Left	830267
7	Hex Nut, 3/8	000915
8	Lock Washer, 3/8	000820
9	Box Extension Wing, Left	830144
10	Carriage Bolt, 3/8 x 1-1/4	000275

Ref#	Description	Part#
11	Hopper	830147
12	Box Extension Wing, Right	830079
13	Spinner Disc	830309
14	Flat Washer, 7/16	001045
15	Crimped Lock Nut, 7/16	000387
16	Spinner Hub, Taper Mount	830313
17	Seal	830317
18	Spinner Frame	830165
19	Hitch Pin, 1/2 x 3-1/2	100292
20	Push-Lock Fitting 1/4NPT	290036
21	Brass Tee Fitting	290033
22	Elbow 12MJ x 12MB	290022
23	Lock Washer, 1/2	000840
24	Hex Nut, 1/2	000940
25	36" Hose Assembly	830331
26	Hydraulic Coupler	290041
27	Hydraulic Coupler	290040
28	21.5" Hose Assembly	830330
29	Straight Fitting 12MJ x 12MB	290065
30	60" Hose Assembly	830332
31	Hydraulic Motor, 1" Keyed Shaft	830318
	Hydraulic Motor, 7/8" Splined Shaft	830153
	Seal Kit for Motor	830345
	Replacement 1" Key Shaft	830391
	Replacement 7/8"-13 Splined Shaft	830710
32	Brass Nipple	290039
33	20" Hose Assembly	830341
34	25" Hose Assembly	830342
35	1/4" x 3/8" x 1-1/4" Key	830390
36	Outer Seal	830389
37	3/8 USS Flat Washer, Zinc	001035

# Spinner Assembly, 87550+

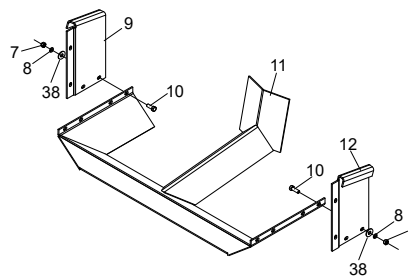
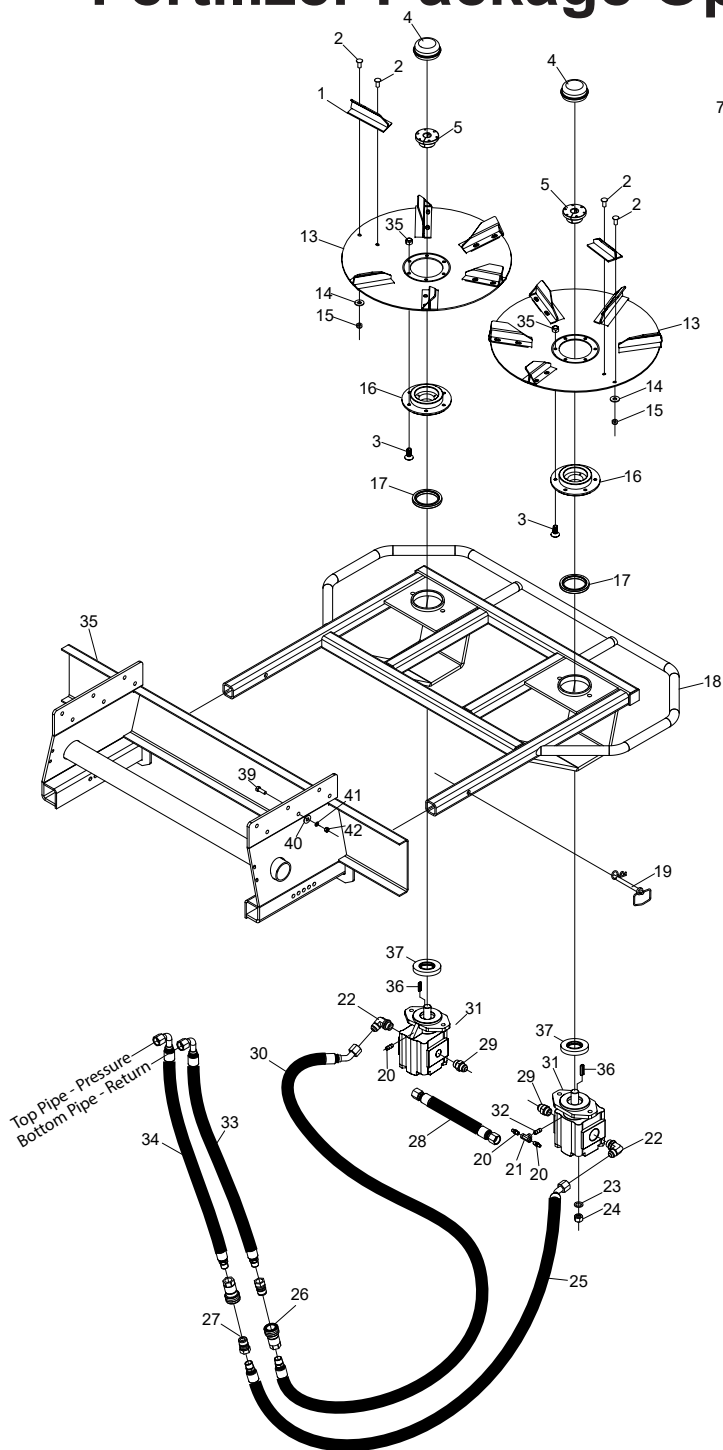


Ref#	Description	Part#
1	Spinner Paddle, Right	830265
2	Carriage Bolt, 7/16 x 1	000356
3	Carriage Bolt, 7/16 x 1-1/2	000359
4	Cap	830314
5	Tapered Bushing, 1" Round	505420
	Tapered Bushing, 7/8" Splined	830351
6	Spinner Paddle, Left	830267
7	Hex Nut, 3/8	000915
8	Lock Washer, 3/8	000820

Ref#	Description	Part#
9	Box Extension Wing, Left	830144
10	Carriage Bolt, 3/8 x 1	000125
11	Hopper	830147
12	Box Extension Wing, Right	830079
13	Spinner Disc	830309
14	Flat Washer, 7/16	001045
15	Crimped Lock Nut, 7/16	000387
16	Spinner Hub, Taper Mount	830313
17	Seal	830317
18	Spinner Frame	830583
19	Hitch Pin, 1/2 x 3-1/2	100292
20	Push-Lock Fitting 1/4NPT	290036
21	Brass Tee Fitting	290033
22	Elbow 12MJ x 12MB	290022
23	Lock Washer, 1/2	000840
24	Hex Nut, 1/2	000940
25	36" Hose Assembly	830331
26	Hydraulic Coupler	290041
27	Hydraulic Coupler	290040
28	21.5" Hose Assembly	830330
29	Straight Fitting 12MJ x 12MB	290065
30	60" Hose Assembly	830332
31	Hydraulic Motor, 1" Keyed Shaft	830318
	Hydraulic Motor, 7/8" Splined Shaft	830153
	Seal Kit for Motor	830345
	Replacement 1" Key Shaft	830391
	Replacement 7/8"-13 Splined Shaft	830710
32	Brass Nipple	290039
33	20" Hose Assembly	830341
34	25" Hose Assembly	830342
35	Spinner Socket	830589
36	1/4" x 3/8" x 1-1/4" Key	830390
37	Outer Seal	830389
38	3/8 USS Flat Washer, Zinc	001035
	1/2-13 X 1-1/2 Carriage Bolt, Gr.5 Zinc	000155
39		
40	1/2 USS Flat Washer, Zinc	001055
41	1/2" Lock Washer, Zinc	000840
42	1/2"-13 Hex Nut, Gr.5 Zinc	000940



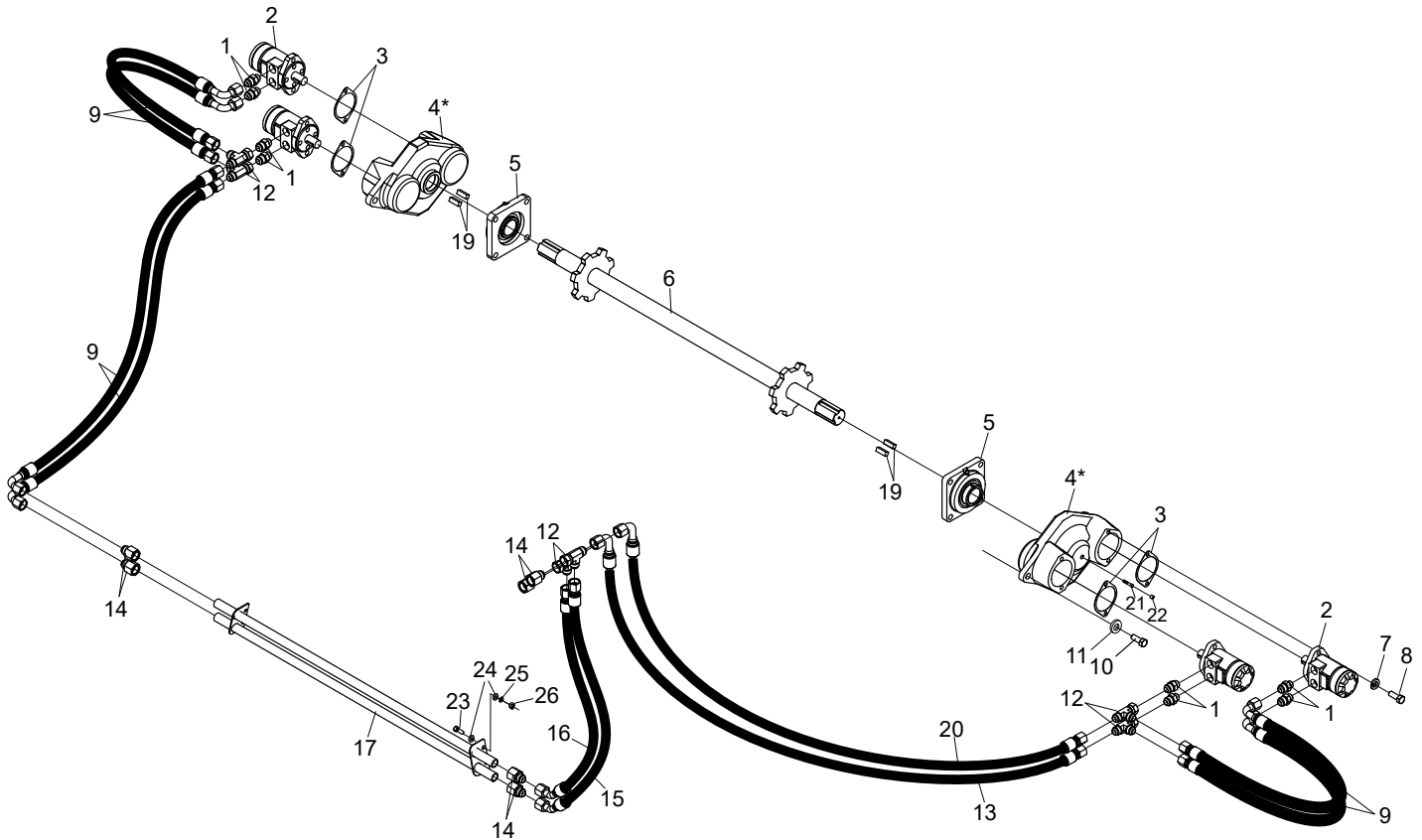
# Fertilizer Package Option (Concave Discs)



Ref#	Description	Part#
1	Concave Spinner Paddle, Right	830620
2	Carriage Bolt, 7/16 x 1	000356
3	3/8" x 1" Flat-Head Socket Cap Screw	000128
4	Cap	830314
5	Tapered Bushing, 1" Round	505420
	Tapered Bushing, 7/8" Splined	830351
6	Concave Spinner Paddle, Left	830627
7	Hex Nut, 3/8	000915
8	Lock Washer, 3/8	000820

Ref#	Description	Part#
9	Box Extension Wing, Left	830144
10	Carriage Bolt, 3/8 x 1	000125
11	Hopper	830147
12	Box Extension Wing, Right	830079
13	Concave Spinner Disc	830623
14	Flat Washer, 7/16	001045
15	Crimped Lock Nut, 7/16	000387
16	Tapered Spinner Hub	830629
17	Seal	830317
18	Spinner Frame	830583
19	Hitch Pin, 1/2 x 3-1/2	100292
20	Push-Lock Fitting 1/4NPT	290036
21	Brass Tee Fitting	290033
22	Elbow 12MJ x 12MB	290022
23	Lock Washer, 1/2	000840
24	Hex Nut, 1/2	000940
25	36" Hose Assembly	830331
26	Hydraulic Coupler	290041
27	Hydraulic Coupler	290040
28	21.5" Hose Assembly	830330
29	Straight Fitting 12MJ x 12MB	290065
30	60" Hose Assembly	830332
31	Hydraulic Motor, 1" Keyed Shaft	830318
	Hydraulic Motor, 7/8" Splined Shaft	830153
	Seal Kit for Motor	830345
	Replacement 1" Key Shaft	830391
	Replacement 7/8"-13 Splined Shaft	830710
32	Brass Nipple	290039
33	20" Hose Assembly	830341
34	25" Hose Assembly	830342
35	3/8 Top Lock Nut	000917
36	1/4" x 3/8" x 1-1/4" Key	830390
37	Outer Seal	830389
38	3/8 USS Flat Washer, Zinc	001035
	1/2-13 X 1-1/2 Carriage Bolt, Gr.5 Zinc	000155
39		
40	1/2 USS Flat Washer, Zinc	001055
41	1/2" Lock Washer, Zinc	000840
42	1/2"-13 Hex Nut, Gr.5 Zinc	000940

# Dual Web Drive Option

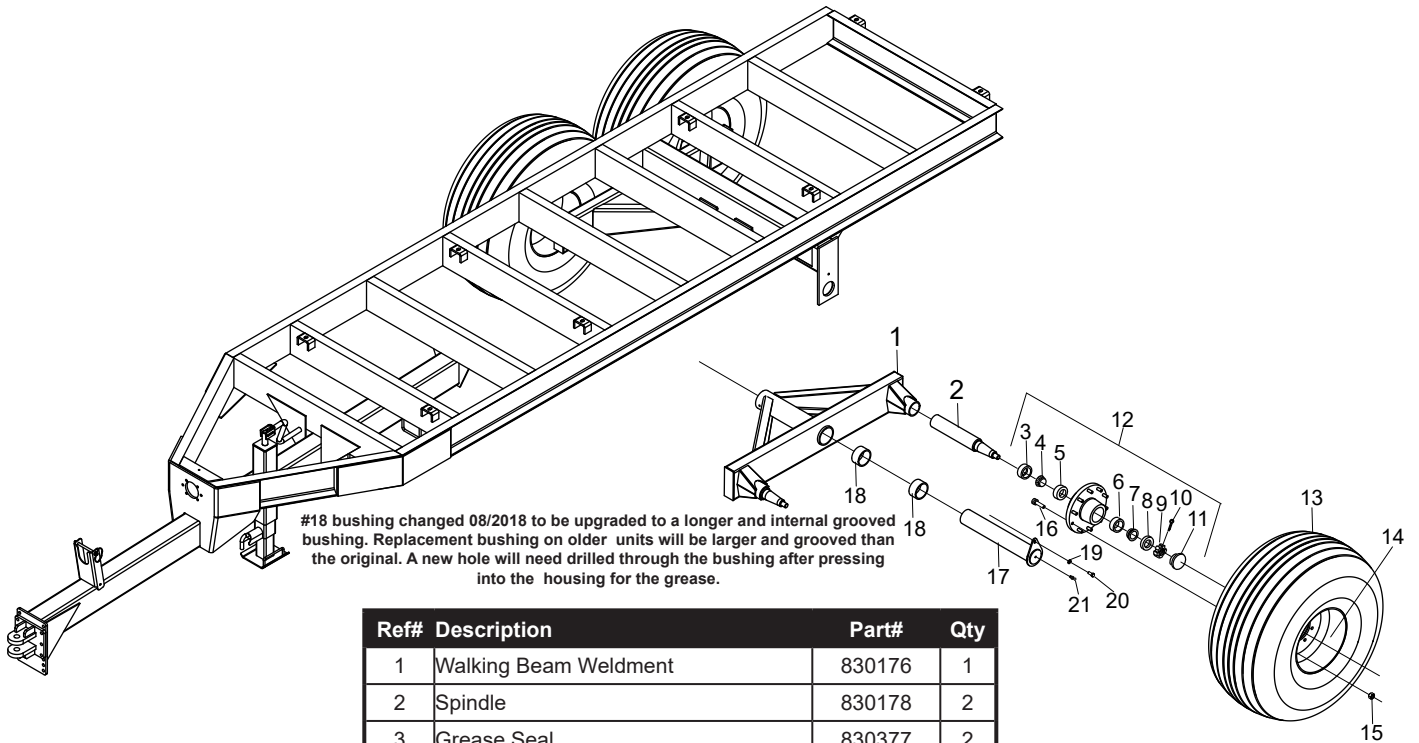


\*Note: Double Drive Gearbox (ID 4) was changed at serial number 95785. Old gearbox (801098) is no longer available and will be substituted with new gearbox (801418). Limited Parts are available for old gearbox.

Ref#	Description	Part#	Qty
1	Straight Fitting, 12MJ x 10MB	290001	8
2	Web Drive Motor	830171	4
	Hyd Motor Seal Kit	800135	
3	Gasket	830251	4
4	Double Drive Gearbox	801418	2
	Seal, Double Drive Gearbox	800136	
5	2" Flange Bearing	801100	2
6	Rear Apron Shaft	830183	1
7	Lock Washer, 1/2"	000840	8
8	Bolt, 1/2 x 1-1/2	000435	8
9	25" Hose Assembly	830333	6
10	Bolt, 5/8 x 2	000615	2
11	Flat Washer, 5/8"	001075	2
12	"T" Fitting, 12MJ x 12FJX x 12MJ	290034	6

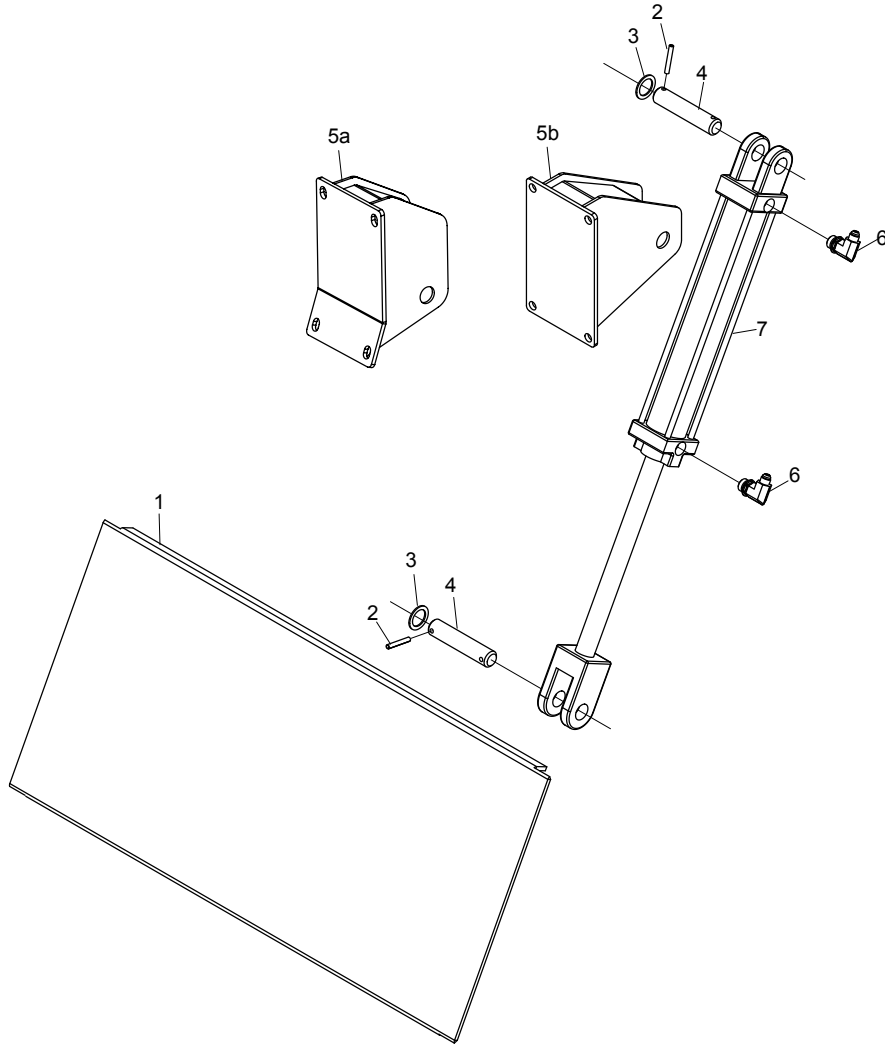
Ref#	Description	Part#	Qty
13	25" Hose Assembly	830335	1
14	Straight Fitting, 12MJ x 12FP	290019	6
15	27" Hose Assembly	830396	1
16	23"-1/2" Hose Assembly	830397	1
17	Supply Line Weldment	830598	1
18	Hose Assembly	830395	2
19	Key, 1/2 x 1/2 x 1-1/2	830329	4
20	27" Hose Assembly	830334	1
21	Socket Head Bolt, 5/16 x 1-1/4	000231	2
22	Plug, 1/2" NPT	290025	2
	5/16"-18 X 1-1/2 Hex Head Bolt, Gr.5 Zinc	000225	4
23			
24	5/16" USS Flat Washer, Zinc	001030	4
25	5/16 Lock Washer, Zinc	000810	4

# Heavy Duty Axle Option



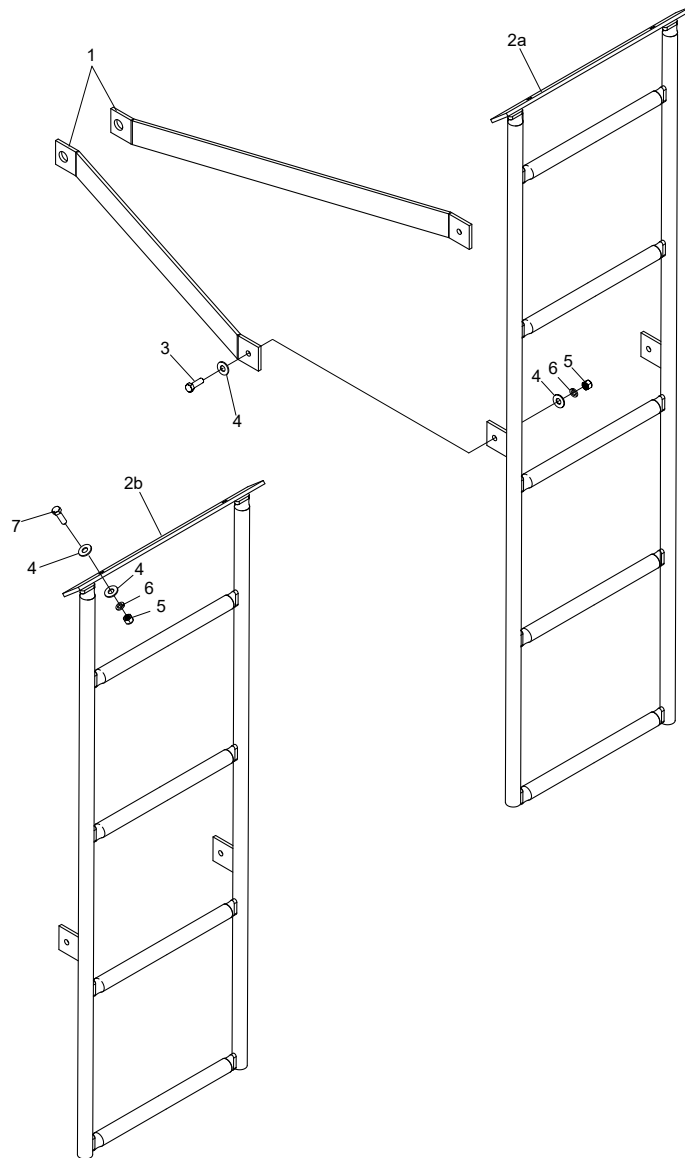
Ref#	Description	Part#	Qty
1	Walking Beam Weldment	830176	1
2	Spindle	830178	2
3	Grease Seal	830377	2
4	Bearing, 460	830376	2
5	Race, 453A	830381	2
6	Race, 33462	830380	2
7	Bearing, 33275	830375	2
8	Spindle Washer	830379	2
9	Spindle Nut	830378	2
10	Cotter Pin, 1/4 x 2	001230	2
11	Dust Cap (bolt on)	830383	2
	Dust Cap Gasket	830384	2
	Dust Cap Bolt	830385	8
12	Complete Hub	830179	2
13	Tire, 500/50-17 16ply	830255	
	Tire, 445/50R22.5 Super Single	830369	
	Tire, 550/45-22.5 16ply	830604	
14	Wheel, 17 x 16 - 10-Bolt	830256	
	Wheel, 22.5 x 13.5 10-Bolt	830368	
	Wheel, 22.5 x 16 - 10-Bolt	830605	
15	Lug Nut	830382	20
16	Lug Bolt, 3/4-16 x 3	830373	20
17	Pivot Pin	830042	1
18	Bronze Bushing, Grooved, 4" Long	800619	2
19	1/2" Lock Washer, Zinc	000840	2
20	1/2-13 X 1-1/2 Hex Head Bolt, Gr.5 Zinc	000435	2
21	Grease Fitting, 1/8-NPT Zert	400118	2

# Hydraulic Endgate Option



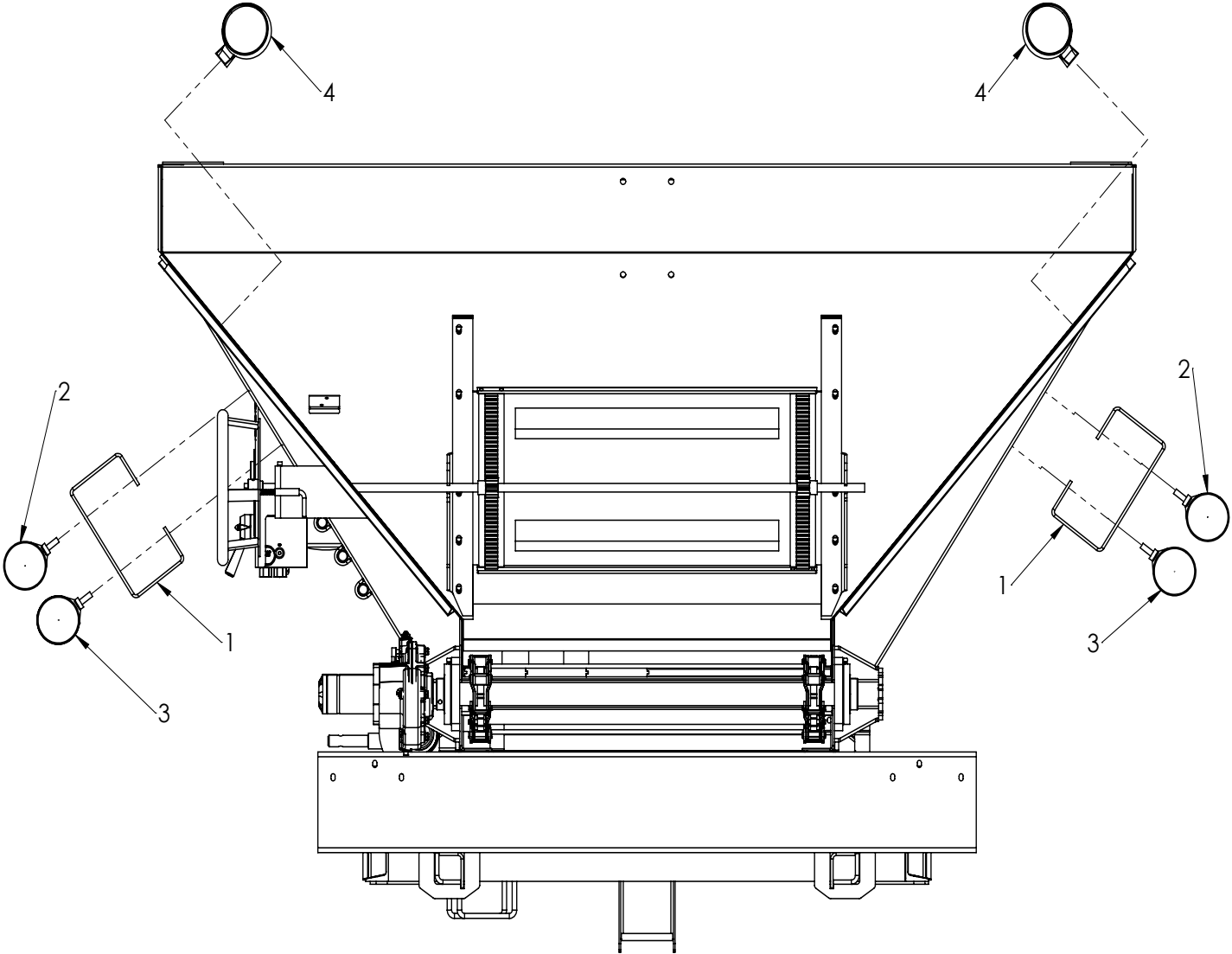
Ref#	Description	Part#	Qty
1	Endgate Weldment	830273	1
2	Roll Pin, 1/4 x 1-3/4	500187	4
3	Bushing	001008	4
4	Pivot Pin	701021	2
5a	Cylinder Mount, Current Style	830713	1
5b	Cylinder Mount, Old Style	830277	1
6	Elbow Fitting	290255	2
7	Cylinder	830300	1

# Ladder Option



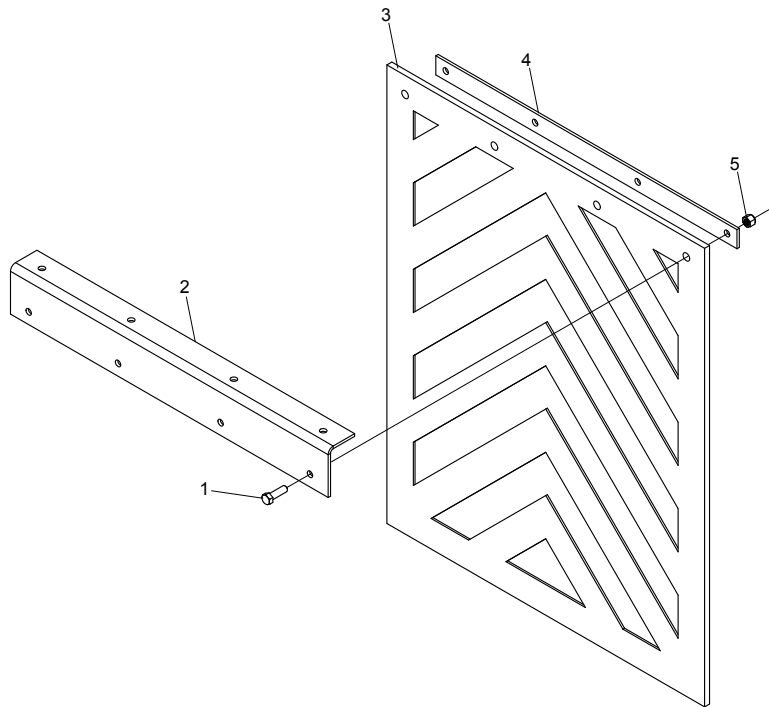
Ref#	Description	Part#	Qty
1	Ladder Brace	830130	2
2a	Ladder Weldment, Current Style	830635	1
2b	Ladder Weldment	830129	1
3	5/16" x 1-1/4" Hex Head Bolt	000230	2
4	5/16" USS Flat Washer, Zinc	001030	8
5	5/16" Hex Nut	000910	4
6	5/16 Lock Washer, Zinc	000810	4
7	5/16" x 1" Hex Head Bolt	000221	2
	Complete Ladder Kit	840020	

# Lighting Option



Ref#	Description	Part#	Qty
1	Light Guard	830152	2
2	Amber/Amber Light	507164	2
3	Blank/Red Light	830160	2
4	Flood Light	507176	2

# Mud Flap Option



Ref#	Description	Part#	Qty
1	Bolt, 3/8 x 1-1/4	000275	4
2	Mud Flap Hanger	830252	1
3	Mud Flap	830254	1
4	Mud Flap Strip	830253	1
5	Nylon Locknut, 3/8	003000	4

# Camera Option



1



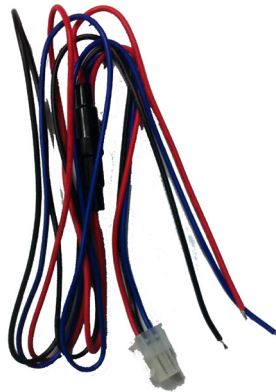
2



3



4



5

Ref#	Description	Part#	Qty
1	Cable	830374	1
2	Lens w/ cable	830582	1
3	Monitor	830580	1
4	A/V Control Box	830581	1
5	A/V Control Box Power Cable	830575	1