



Tradition In Progress [®]



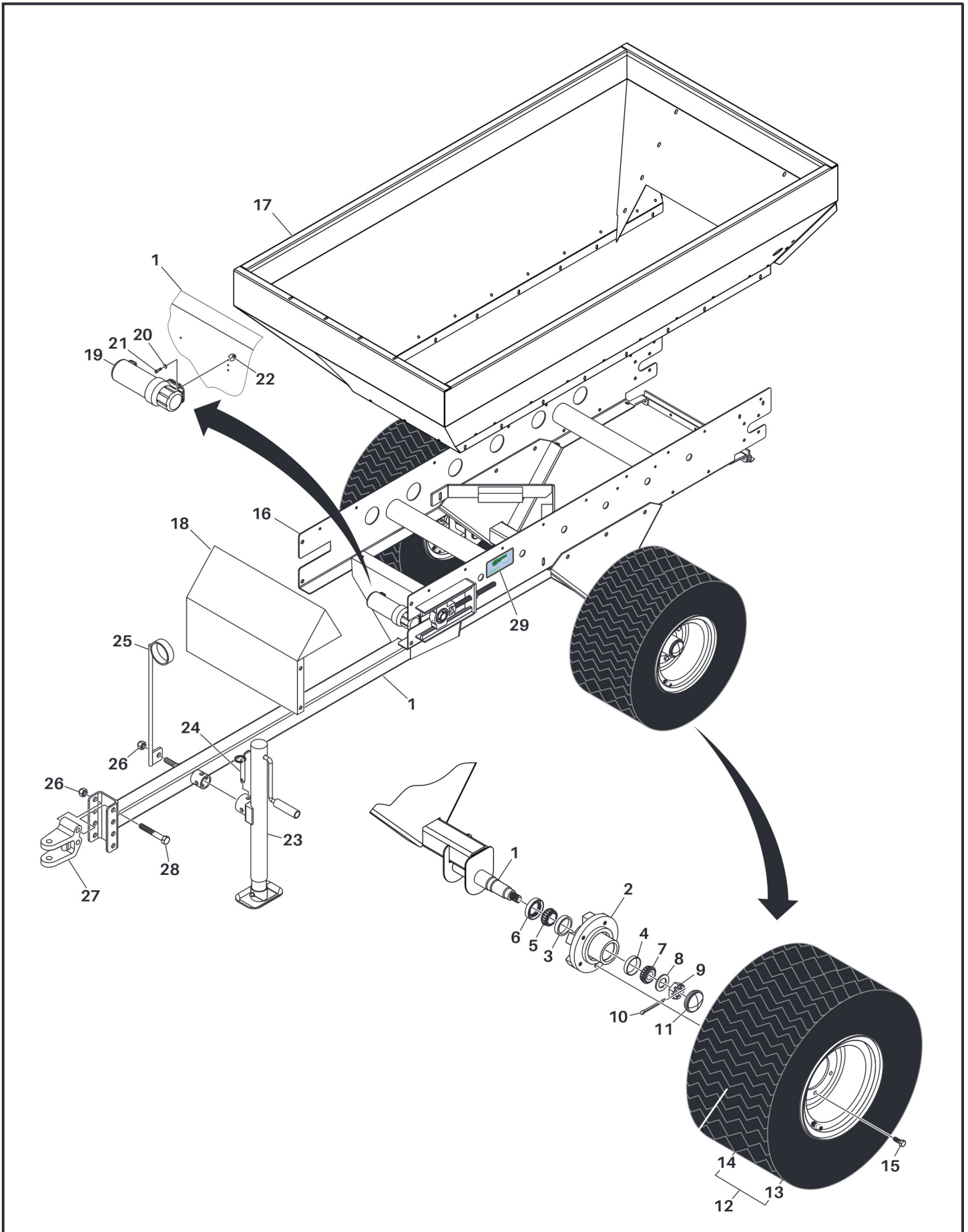
Topdresser

Owner's Manual

MODEL GT100

ILLUSTRATED PARTS BREAKDOWN

Figure 3-1. Frame, Drawbar and Related Parts - Tractor Units



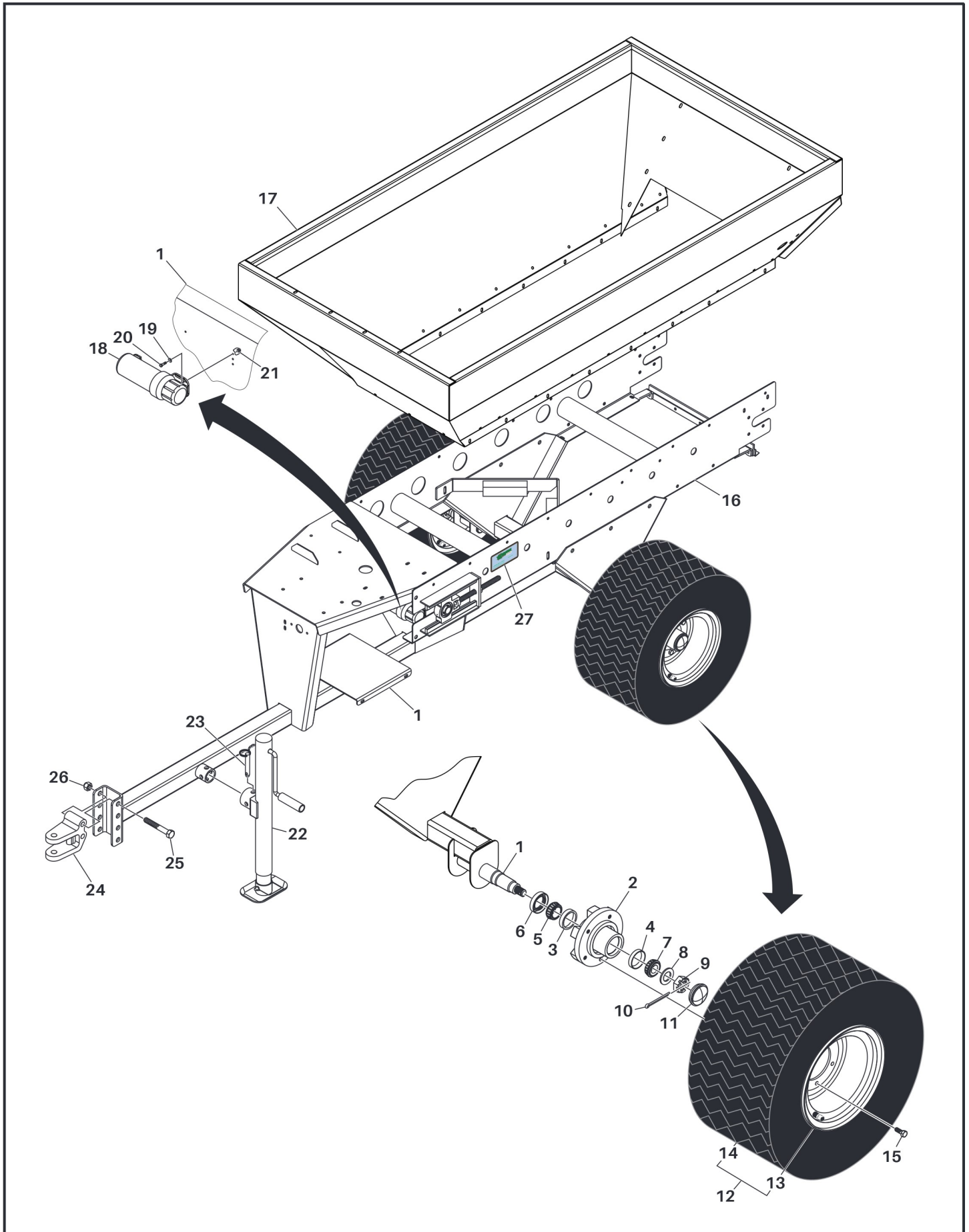
ILLUSTRATED PARTS BREAKDOWN

Figure 3-1. Frame, Drawbar and Related Parts - Tractor Units

Item	Part No.	Qty	Description
1	NSS	1	Drawbar Weldment
2	700027	2	Hub Assembly, Includes Items 3 thru 11
3	NSS	2	Race, Inner, LM67010
4	NSS	2	Race, Outer, LM11910
5	700142	2	Bearing, Inner, LM67048
6	700030	2	Seal, Grease Inner
7	700028	2	Bearing, Outer, LM11949
8	700032	2	Washer, Spindle
9	700034	2	Nut, Castle, Spindle
10	700033	2	Pin, Cotter
11	700035	2	Cap, Dust
12	804073	2	Wheel & Tire, Includes Items 13 thru 14
13	804120	2	Wheel
14	804114	2	Tire, 26.5 x 14
15	300037	10	Bolt, Lug
16	NSS	1	Frame Weldment
17	806183	1	Hopper Weldment
18	814025	1	Cover, Belt
19	503050	1	Canister, Owners Manual
20	001029	3	Washer, Flat, 1/4"
21	000182	3	Bolt, Hex Head, 1/4"-20UNC x 1" Long
22	003001	3	Nut, Hex, Nylon Lock, 1/4"-20UNC
23	507019	1	Jack, Includes Item 24
24	507020	1	Pin
25	800556	1	Holder, Hose
26	000972	4	Nut, Hex, Nylon Lock, 5/8"-11UNC
27	507017	1	Hitch
28	000500	1	Bolt, Hex Head, 5/8"-11UNC x 4-1/2" Long
29	300313	1	Plate, Serial Number
			NSS-Not Sold Separately

ILLUSTRATED PARTS BREAKDOWN

Figure 3-2. Frame, Drawbar and Related Parts - Engine Units



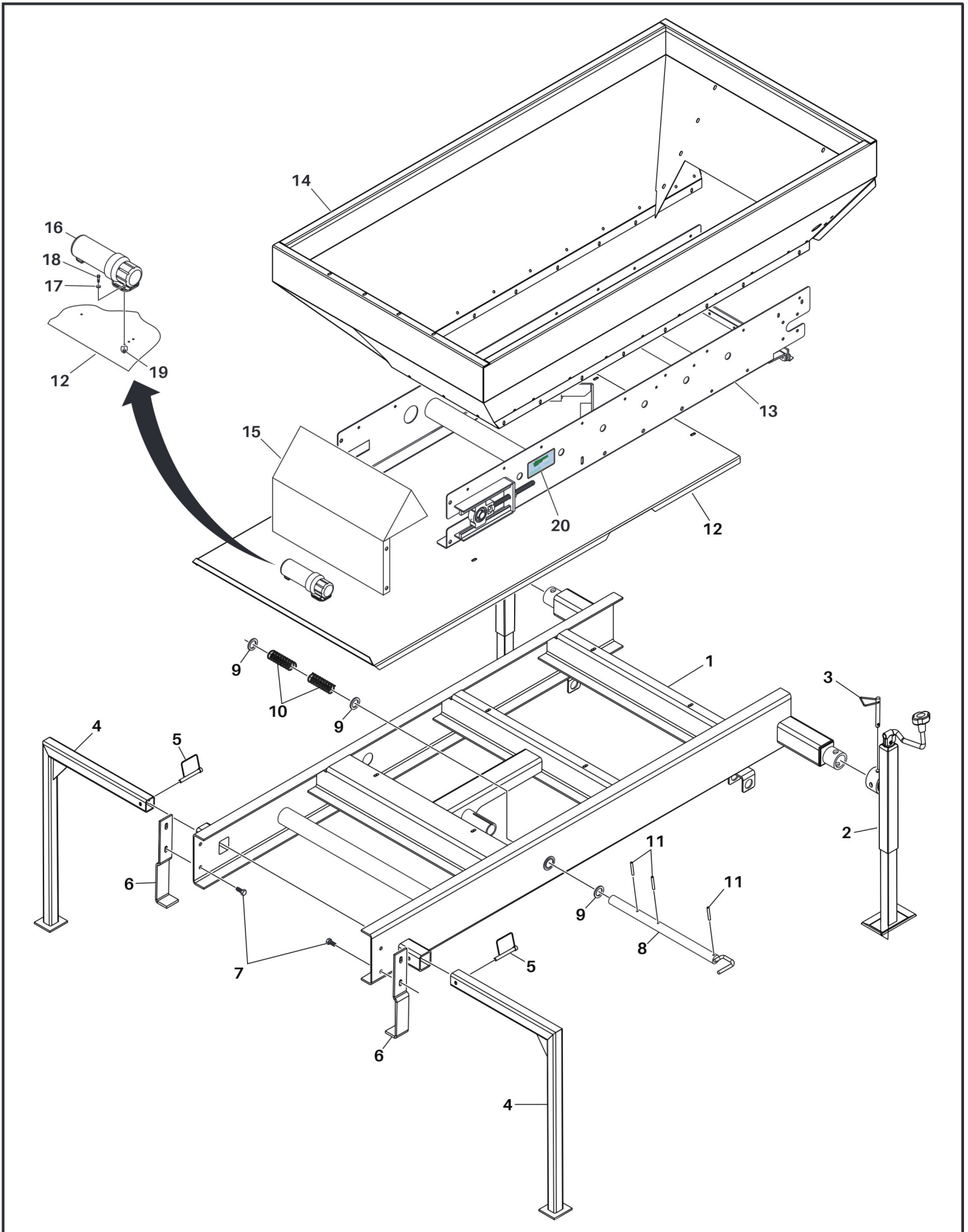
ILLUSTRATED PARTS BREAKDOWN

Figure 3-2. Frame, Drawbar and Related Parts - Engine Units

Item	Part No.	Qty	Description
1	NSS	1	Drawbar Weldment
2	700027	2	Hub Assembly, Includes Items 3 thru 11
3	NSS	2	Race, Inner, LM67010
4	NSS	2	Race, Outer, LM11910
5	700142	2	Bearing, Inner, LM67048
6	700030	2	Seal, Grease Inner
7	700028	2	Bearing, Outer, LM11949
8	700032	2	Washer, Spindle
9	700034	2	Nut, Castle, Spindle
10	700033	2	Pin, Cotter
11	700035	2	Cap, Dust
12	804073	2	Wheel & Tire, Includes Items 13 thru 14
13	804120	2	Wheel
14	804114	2	Tire, 26.5 x 14
15	300037	10	Bolt, Lug
16	NSS	1	Frame Weldment
17	806183	1	Hopper Weldment
18	503050		Canister, Owners Manual
19	001029	3	Washer, Flat, 1/4"
20	000182	3	Bolt, Hex Head, 1/4"-20UNC x 1" Long
21	003001	3	Nut, Hex, Nylon Lock, 1/4"-20UNC
22	507019	1	Jack, Includes Item 23
23	507020	1	Pin
24	507017	1	Hitch
25	000500	1	Bolt, Hex Head, 5/8"-11UNC x 4-1/2" Long
26	000972	2	Nut, Hex, Nylon Lock, 5/8"-11UNC
27	300313	1	Plate, Serial Number
			NSS-Not Sold Separately

ILLUSTRATED PARTS BREAKDOWN

Figure 3-3. Frame, and Related Parts - John Deere UVM Units



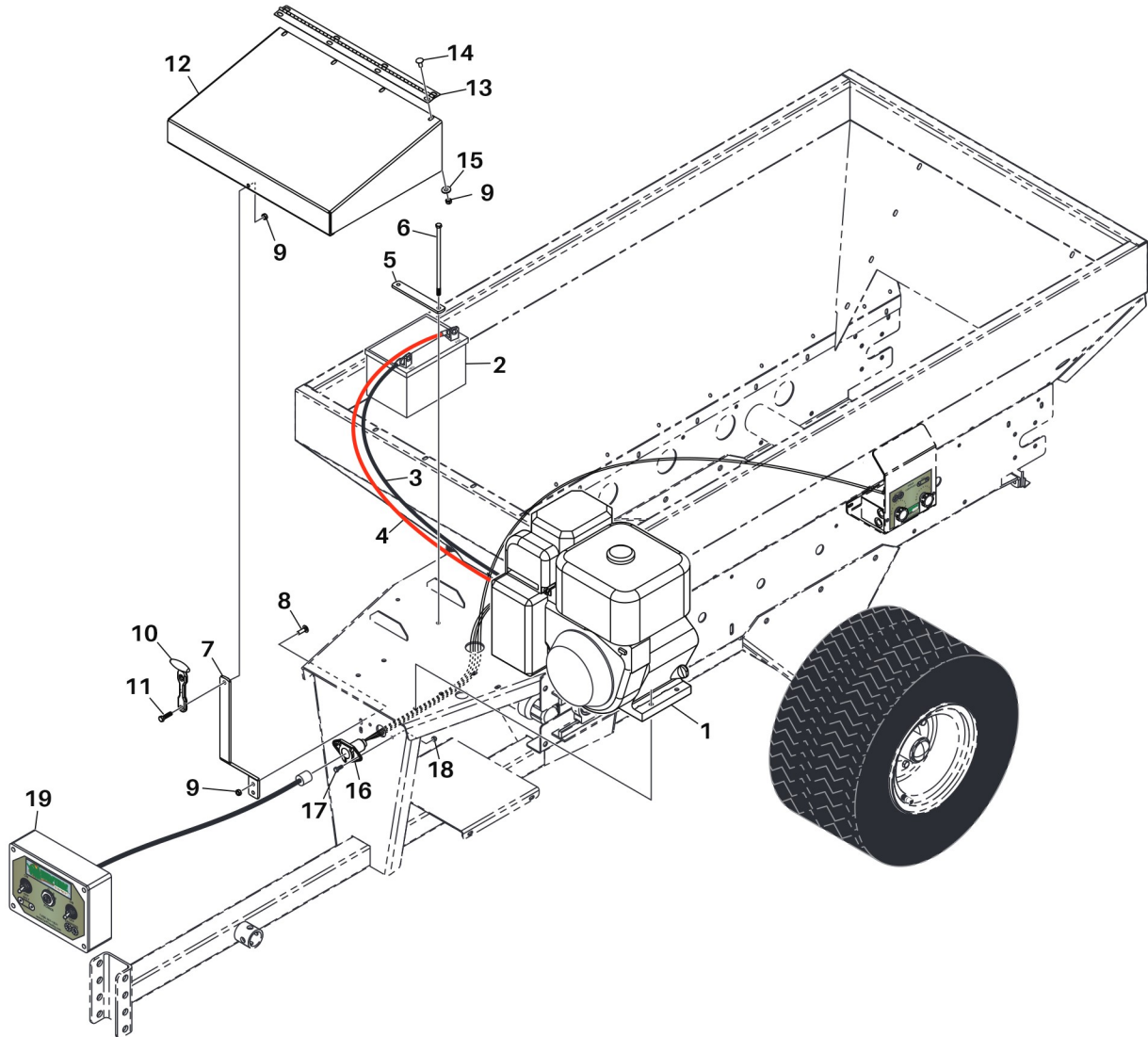
ILLUSTRATED PARTS BREAKDOWN

Figure 3-3. Frame, and Related Parts - John Deere UVM Units

Item	Part No.	Qty	Description
1	814014	1	Chassis Weldment
2	824037	2	Jack Assembly, Includes Item 3
3	507020	2	Pin
4	824036	2	Stand Weldment, Front
5	507175	2	Pin, Lynch, Square
6	814027	2	Bracket, Hold Down
7	000270	4	Bolt, Hex Head, 3/8"-16UNC x 1" Long
8	824097	1	Handle Weldment, Cylinder
9	300133	3	Bushing, 1" Dia. x 1-1/2" Long
10	814030	2	Spring, Cylinder Latch
11	000565	3	Pin, Roller, 1/4"
12	814000	1	Cover, Engine
13	NSS	1	Frame Weldment
14	806183	1	Hopper Weldment
15	814025	1	Cover, Belt
16	503050		Canister, Owners Manual
17	001029	3	Washer, Flat, 1/4"
18	000182	3	Bolt, Hex Head, 1/4"-20UNC x 1" Long
19	003001	3	Nut, Hex, Nylon Lock, 1/4"-20UNC
20	300313	1	Plate, Serial Number
			NSS-Not Sold Separately

ILLUSTRATED PARTS BREAKDOWN

Figure 3-4. Engine, Remote Control and Related Parts



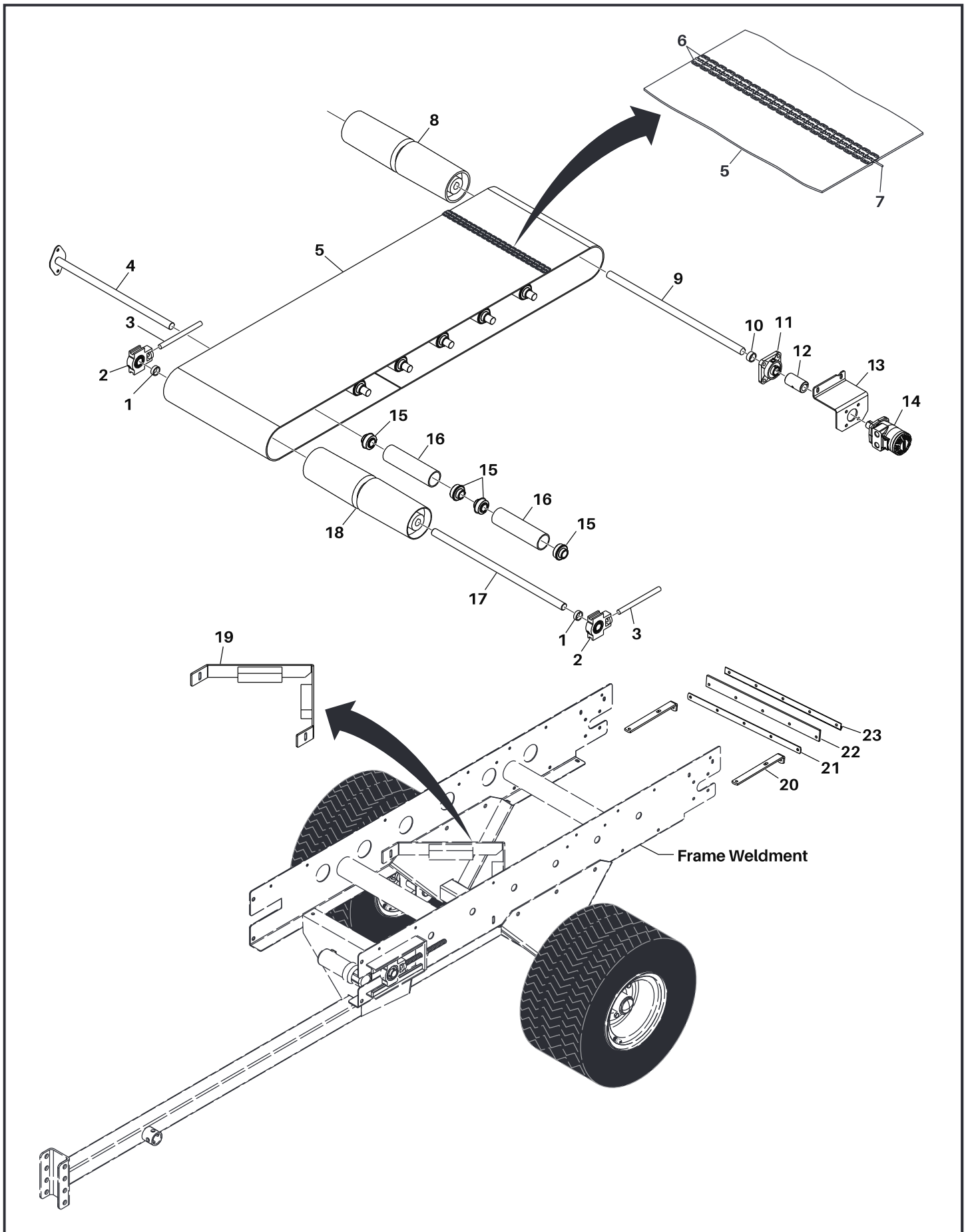
ILLUSTRATED PARTS BREAKDOWN

Figure 3-4. Engine, Remote Control and Related Parts

Item	Part No.	Qty	Description
1	806162	1	Engine, 13HP
2	806129	1	Battery
3	804071	1	Cable, Negative
4	804072	1	Cable, Positive
5	806043	1	Plate, Battery Hold Down
6	000156	2	Bolt, Hex Head, 5/16"-18UNC x 7" Long
7	806051	1	Holder, Latch
8	000124	2	Bolt, Carriage, 5/16"-18UNC x 1" Long
9	002999	10	Nut, Hex, Nylon Lock 5/16"-18UNC
10	400092	1	Latch, Rubber
11	000230	1	Bolt, Hex Head, 5/16"-18UNC x 1-1/4" Long
12	806187	1	Cover, Engine
13	806159	1	Hinge
14	000121	8	Bolt, Carriage, 5/16"-18UNC x 3/4" Long
15	001030	8	Washer, Flat, 5/16"
16	100548	1	Socket, Electrical
17	000182	2	Bolt, Hex Head, 1/4"-20UNC x 1" Long
18	003001	2	Nut, Nylon Lock, 1/4"-20UNC
19	830350	1	Control Panel

ILLUSTRATED PARTS BREAKDOWN

Figure 3-5. Rollers, Bearing, Belt and Related Parts



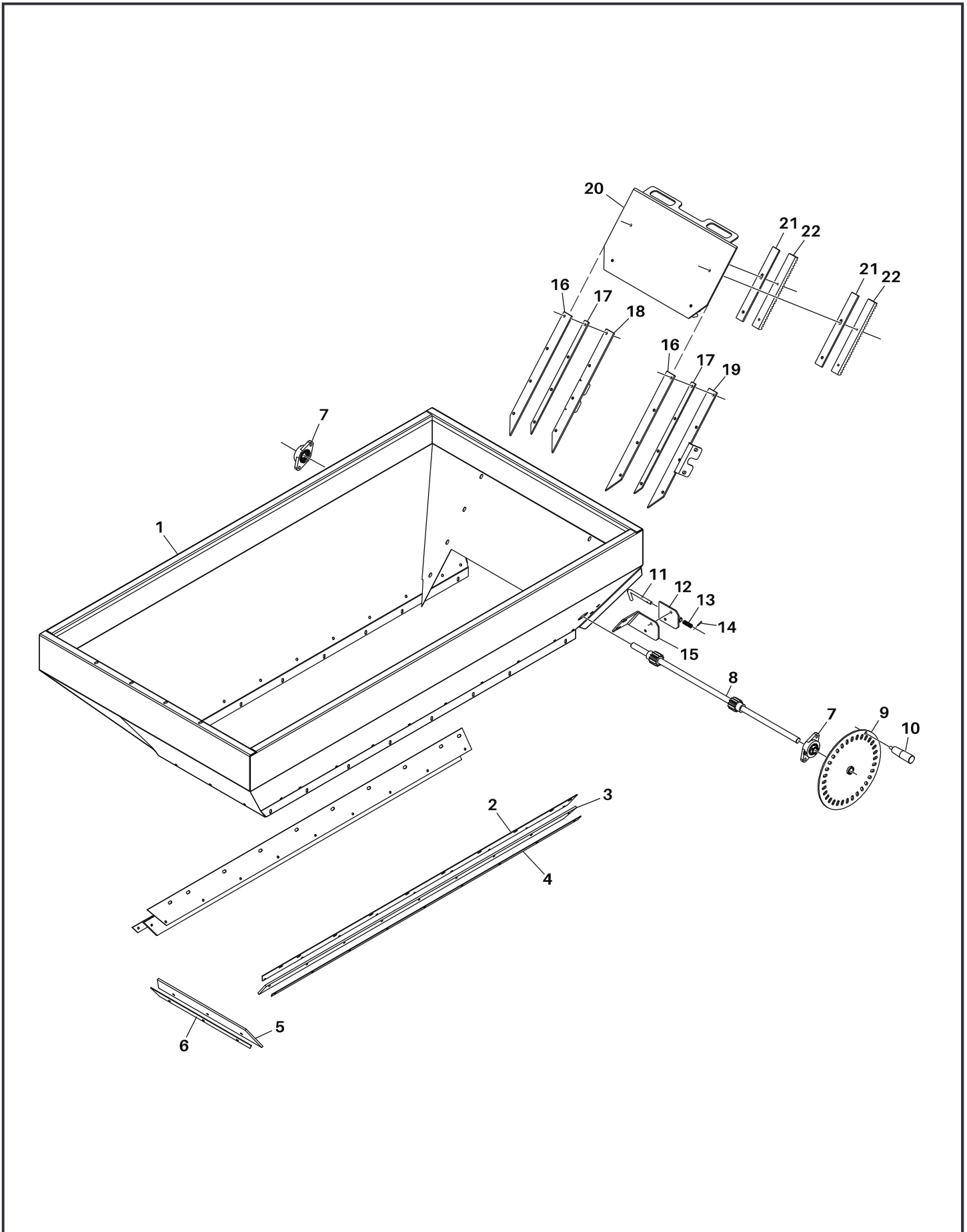
ILLUSTRATED PARTS BREAKDOWN

Figure 3-5. Rollers, Bearing, Belt and Related Parts

Item	Part No.	Qty	Description
1	806127	2	Spacer
2	806106	2	Bearing
3	806101	6	Shaft, Idler
4	806139	1	Shaft, Adjustment
5	800042	1	Belt, Smooth Apron, Includes Items 6 & 7
	800040	1	Belt, Cleated Apron, Includes Items 6 & 7
6	NSS	1	Lace. Belt
7	NSS	1	Pin, Belt Lace
8	806090	1	Pulley, Apron
9	806050	1	Shaft, Drive
10	804086	2	Spacer
11	700053	2	Bearing, Flange
12	400113	1	Coupler
13	806033	1	Bracket, Motor
14	800111	1	Motor, Hydraulic
15	806102	24	Bearing, Insert
16	806046	12	Roller, Idler
17	806049	1	Shaft, Front Apron
18	806091	1	Pulley, Tail
19	806132	2	Scraper, Belt
20	806040	2	Support, Scraper
21	806037	1	Clamp, Strip
22	806038	1	Scraper, Rubber, Rear Belt
23	805009	1	Deflector, Belt Scraper
NS			Tube, Silicone, for Belt Lacing, Items 6 & 7 NS-Not Shown NSS-Not Sold Separately

ILLUSTRATED PARTS BREAKDOWN

Figure 3-6. Hopper, Gate, Skirtboard and Related Parts



ILLUSTRATED PARTS BREAKDOWN

Figure 3-6. Hopper, Gate, Skirtboard and Related Parts

Item	Part No.	Qty	Description
1	806183	1	Hopper Weldment
2	806177	2	Skirtboard
3	806178	2	Strip, Rubber
4	806179	2	Clamp, Rubber
5	806190	1	Strip, Front, Rubber
6	806189	1	Clamp, Front, Rubber
7	806108	2	Bearing, Flange
8	806198	1	Shaft, Weldment, Endgate
9	806131	1	Wheel, Adjusting, Endgate
10	806099	1	Handle
11	806052	1	Pin, Latch
12	806144	1	Latch Weldment, Endgate
13	806166	1	Spring
14	000561	1	Pin, Roll
15	806199	1	Bracket, Mounting
16	806195	2	Track, Endgate
17	806194	2	Shim, Endgate Track
18	806193	1	Track, Right, Endgate
19	806182	1	Door, Endgate
20	806200	2	Shim, Endgate Track
21	806085	2	Rack, Gear
22	806196	1	Track, Left, Endgate