

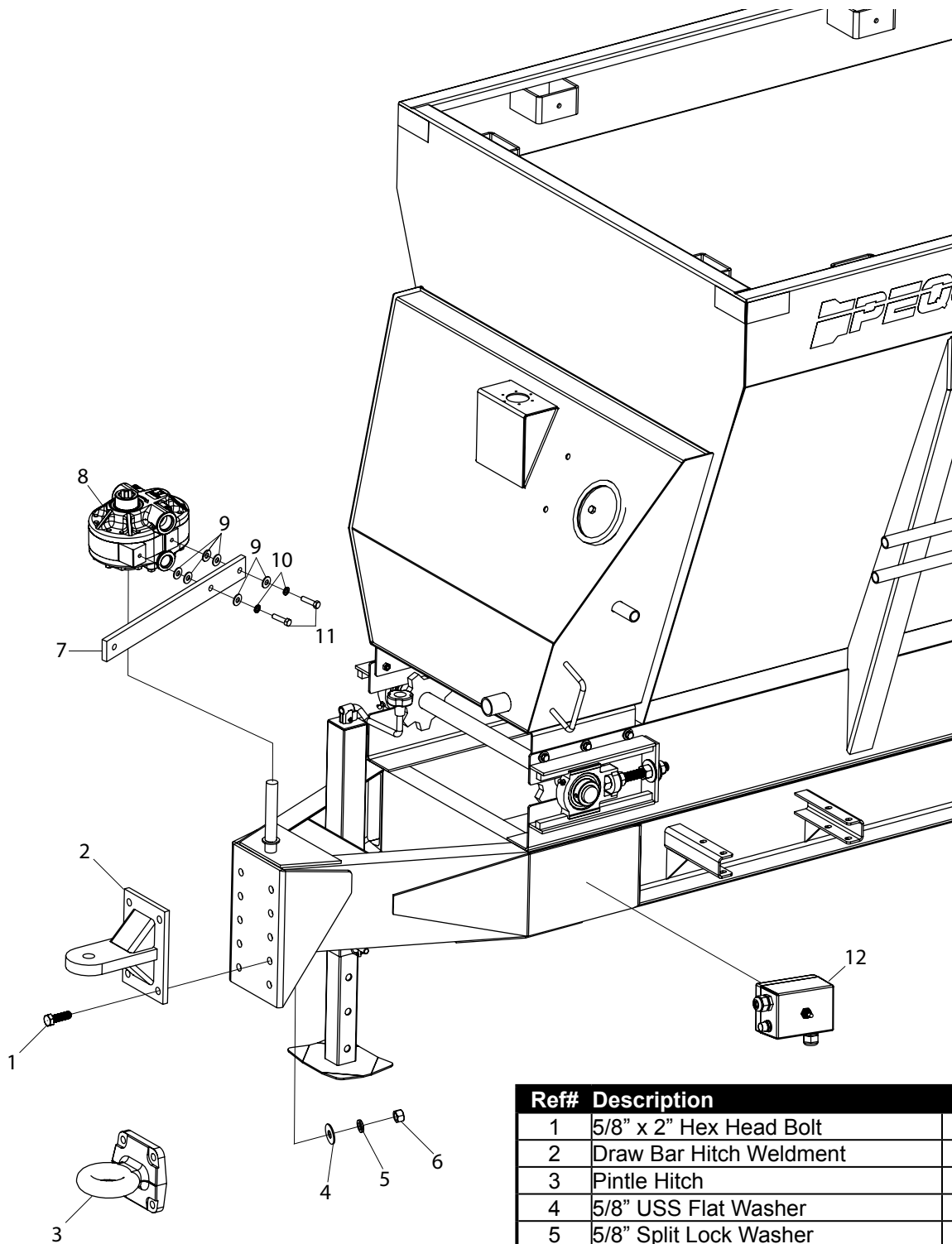


GSN-8 Spreader

Illustrated Parts Breakdown

Page 1	Front End Assembly
Page 2	Axle Assembly
Page 3	Floor & Apron
Page 4	Pump Assembly
Page 5	Hydraulics
Page 6	Manifold Components
Page 7	Manifold Cover
Page 8	Gearbox Components S/N 95417+
Page 9	Rear Gate
Page 10	Spinner Assembly
Page 11	Deflector Option
Page 12	Dual Conveyor Assembly
Page 13	Flicker Option
Page 14	Switchbox
Page 15	Oil Cooler Option

Front End Assembly



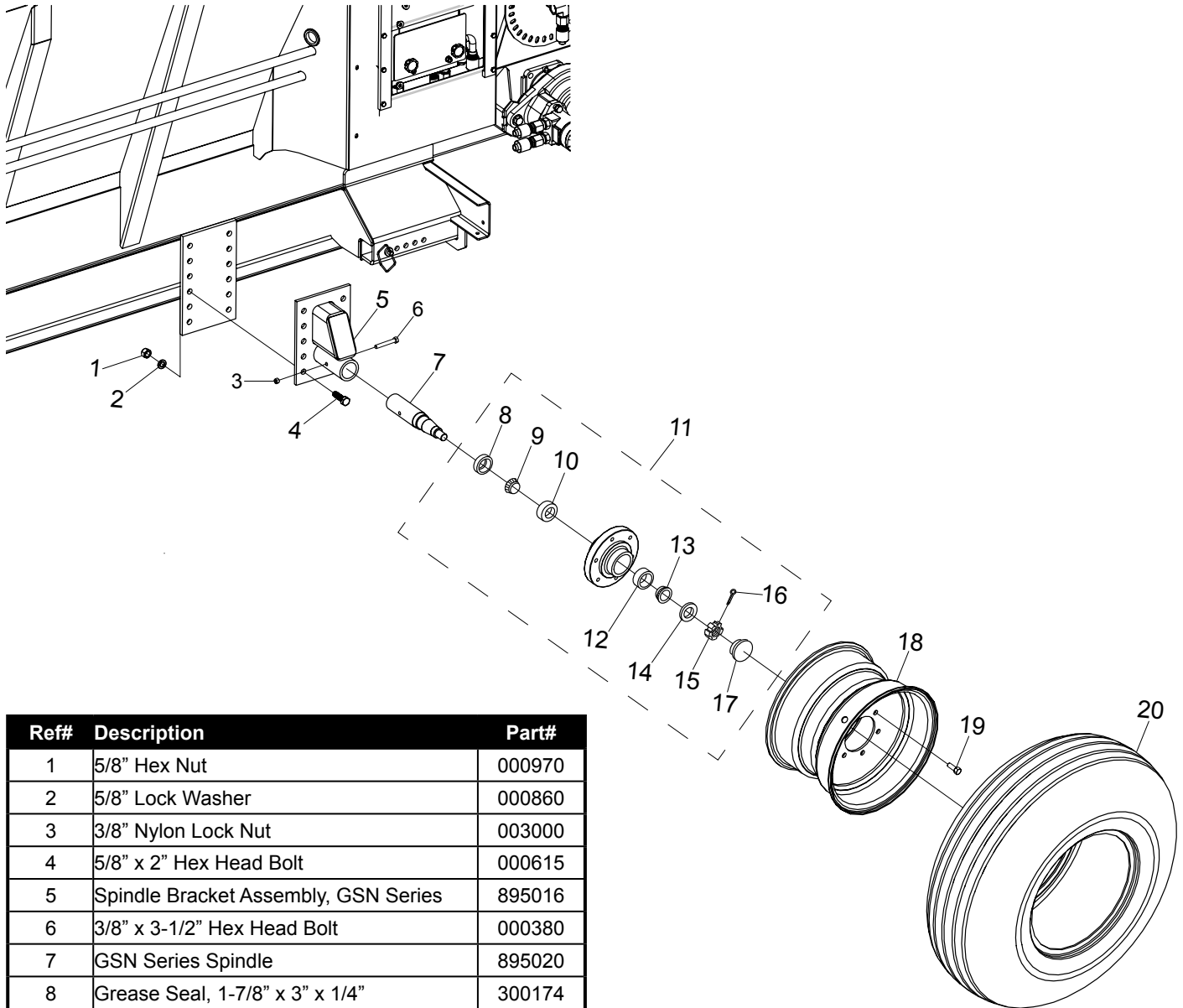
Ref#	Description	Part#
1	5/8" x 2" Hex Head Bolt	000615
2	Draw Bar Hitch Weldment	890446
3	Pintle Hitch	101123
4	5/8" USS Flat Washer	001075
5	5/8" Split Lock Washer	000860
6	5/8" Hex Nut	000970
7	Pump Holder	801052
8	PTO Pump	890178
9	3/8" USS Flat Washer	001035
10	3/8" Split Lock Washer	000820
11	3/8" x 1-1/2" Hex Head Bolt	000280
12	Switchbox	830242

[Previous Page](#)

[Next Page](#)

[Back to Index](#)

Axle Assembly



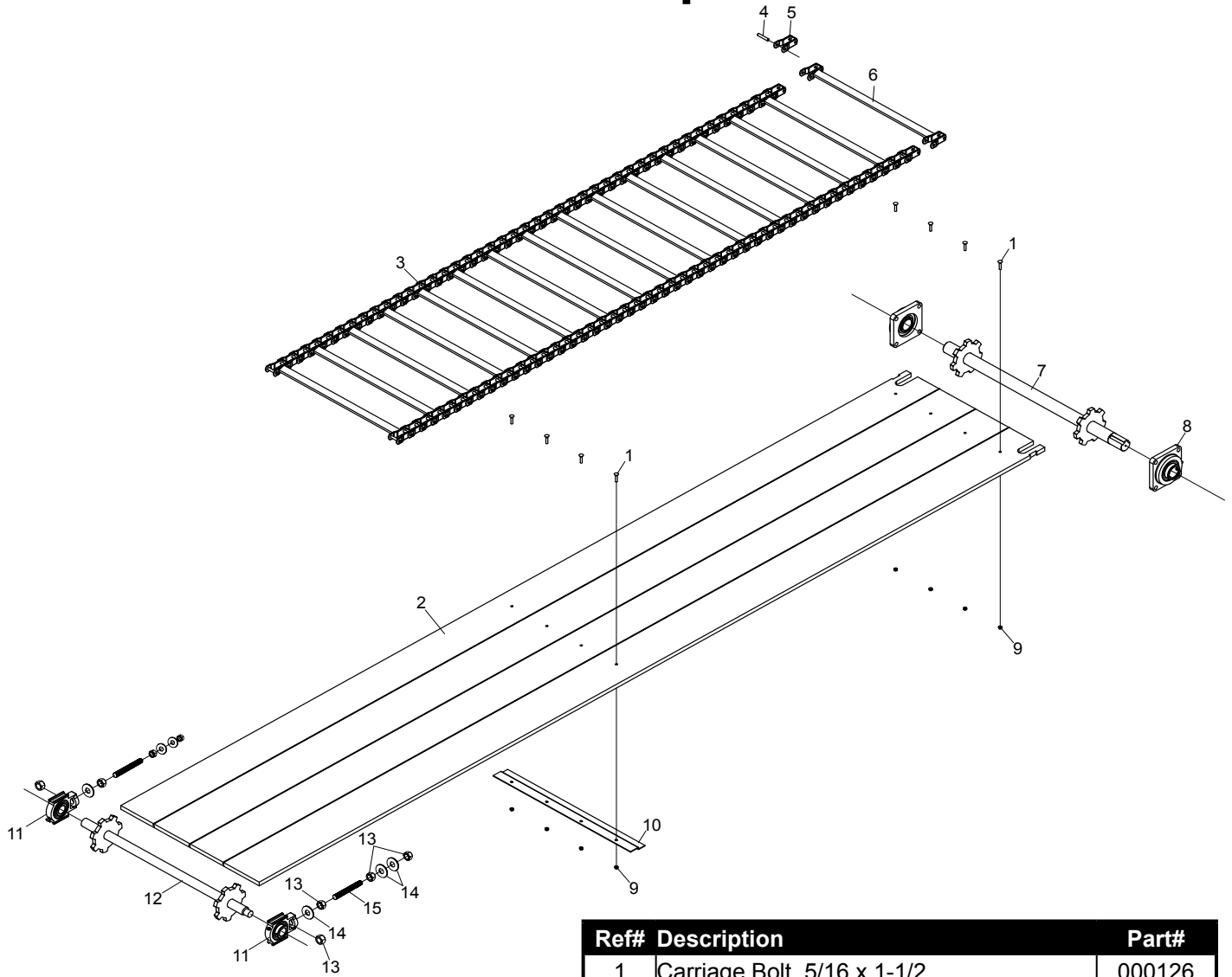
Ref#	Description	Part#
1	5/8" Hex Nut	000970
2	5/8" Lock Washer	000860
3	3/8" Nylon Lock Nut	003000
4	5/8" x 2" Hex Head Bolt	000615
5	Spindle Bracket Assembly, GSN Series	895016
6	3/8" x 3-1/2" Hex Head Bolt	000380
7	GSN Series Spindle	895020
8	Grease Seal, 1-7/8" x 3" x 1/4"	300174
9	Inner Bearing, LM501349	300175
10	Inner Race, LM501310	300176
11	Complete 783 Hub	300173
12	Outer Race, LM67010	300178
13	Outer Bearing, LM67048	300179
14	7/8" Spindle Washer	300283
15	7/8" Castle Nut	300281
16	5/32" x 1-3/4" Cotter Pin	300282
17	888/783 Dust Cap	300036
18	Wheel, 15" x 10"-6 Bolt	300286
19	Lug Bolt, 1/2" x 1-3/4" Overall Length	300037
20	Tire, 12.5L x 15 - 10 Ply	300293

Previous Page

Next Page

Back to Index

Floor & Apron



Ref#	Description	Part#
1	Carriage Bolt, 5/16 x 1-1/2	000126
2	Floor Board, 105-1/4"	400948
3	Web Chain w/ Slats (10' Section)	891070
4	Repair Pin	895078
5	Connector Link w/ Pin (667X)	895079
6	Slat Assembly	891080
7a	Rear Drive Shaft Weldment S/N -95941	895060
7b	Rear Drive Shaft Weldment S/N 95941+	895084
8	Flange Bearing	400810
9	Nut, 5/16	000910
10	Floor Hold Plate	891049
11	Take-up Bearing	801099
12	Front Drive Shaft Weldment	891067
13	3/4-10 Hex Nut, Gr. 5	000975
14	3/4 USS Flat Washer	001085
15	Front Tensioner Rod	801175

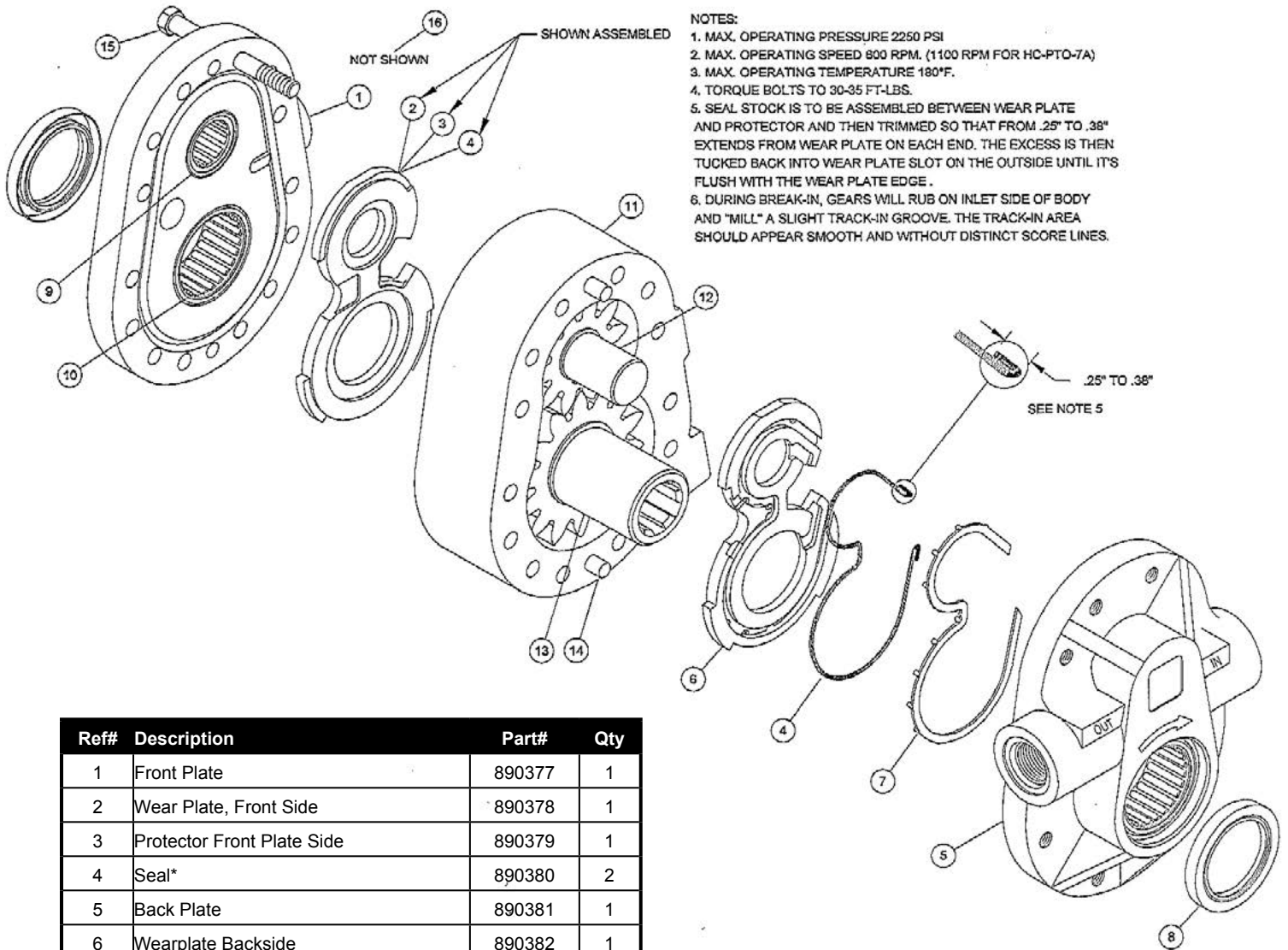
** Left & Right floor boards must be cut to correct width

Previous Page

Next Page

Back to Index

Pump Assembly



Ref#	Description	Part#	Qty
1	Front Plate	890377	1
2	Wear Plate, Front Side	890378	1
3	Protector Front Plate Side	890379	1
4	Seal*	890380	2
5	Back Plate	890381	1
6	Wearplate Backside	890382	1
7	Protector Back Plate Side*	890383	1
8	Shaft Seal*	890384	2
9	Idler Shaft Bearing	890385	2
10	Drive Shaft Bearing	890386	2
11	Body HC-PTO-2A	890387	1
12	Gear Assembly	890388	1
13	Drive Gear Assembly	890389	1
14	Dowel Pin	890390	2
15	Cap Screw	890391	12
16	Seal Kit	890392	1

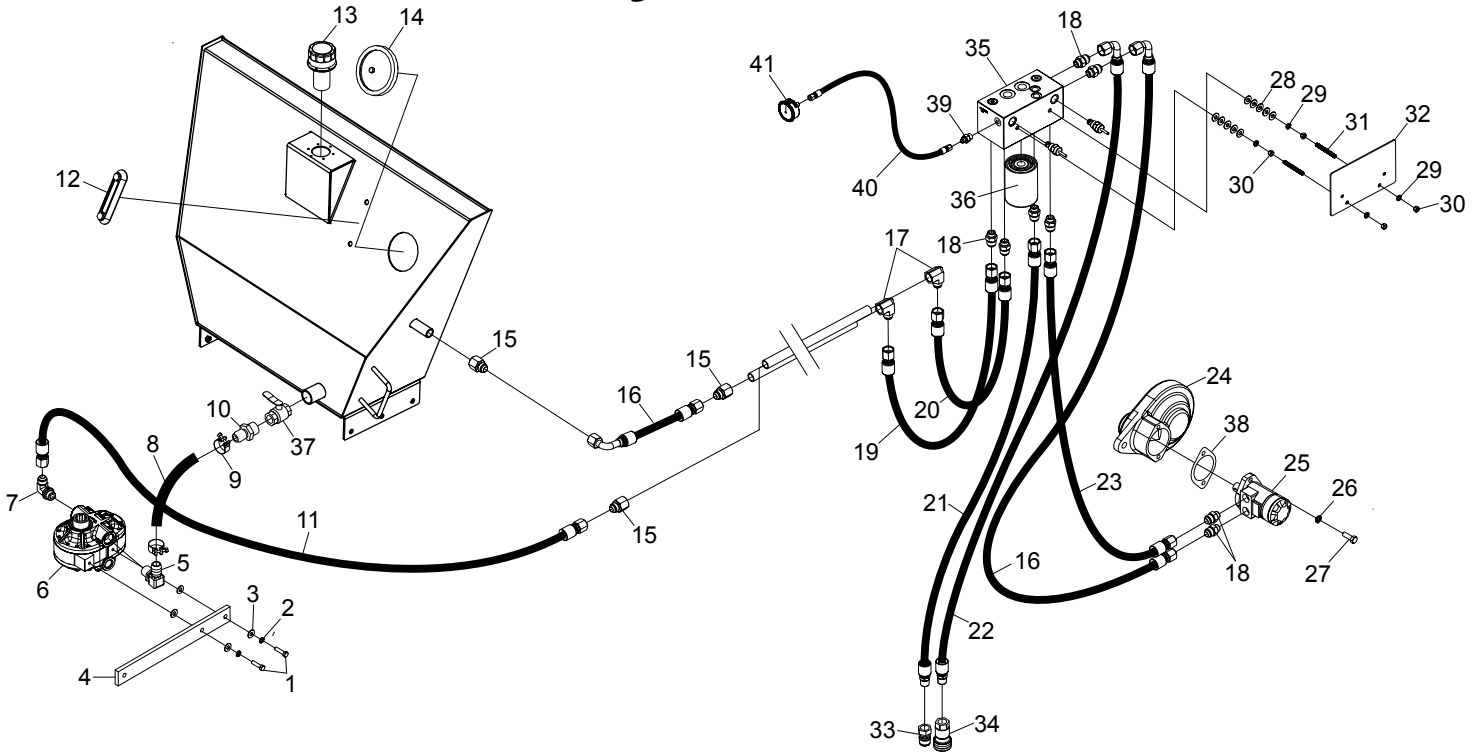
Note: All items with * are included in Seal Kit.

Previous Page

Next Page

Back to Index

Hydraulics



Ref#	Description	Part#
1	3/8" x 1-1/2" Hex Head Bolt	000280
2	3/8" Split Lock Washer	000820
3	3/8" Flat Washer	001035
4	Pump Holder	801052
5	90 Degree Elbow (20HB x 16MB)	290080
6	PTO Pump	890178
7	90 Degree Elbow (12MJ x 12MB)	290022
8	55" Suction Hose	830680
9	1-1/2" SV Hose Clamp	290169
10	Straight Fitting (20HB x 20MP)	290187
11	95" Hose Assembly (12FJX x 12FJX)	830687
12	Hydraulic Tank Sight Gauge	290054
13	4" Tank Filler Breather Cap	290142
14	6" Tank Door	290044
15	Straight Fitting (12MJ x 12FP)	290019
16	27" Hose Assembly	830336
17	90 Degree Elbow (12MJ x 12FP)	290093
18	Straight Fitting (12MJ x 10MB)	290001
19	22" Hose Assembly (12FJX - 12FJX)	830681
20	25" Hose Assembly (12FJX - 12FJX)	830682
21	12" Hose Assembly (12FJX x 12MP)	830683

Ref#	Description	Part#
22	14" Hose Assembly (12FJX90S x 12MP)	890355
23	24" Hose Assembly (12FJX- 12FJX)	830697
24a	6:1 Single Motor Drive S/N -95941	N/A
24b	6:1 Single Motor Drive S/N 95941+	891217
25	22.6 CID Hydraulic Motor	891079
26	1/2" Split Lock Washer	000840
27	1/2" x 1-1/2" Hex Head Bolt	000435
28	3/8" Flat Washer	001035
29	3/8" Lock Washer	000820
30	3/8" Hex Nut	000915
31	3/8" x 3-1/4" Threaded Rod	902245
32	Manifold Face Plate	890451
33	3/4" Male Ag Coupling	290040
34	3/4" Female Ag Coupling	290041
35	Manifold	890940
36	Oil Filter	890962
37	1-1/4" Full Ported Brass Ball Valve	830355
38	2 Bolt Flange Gasket	830251
39	Straight Fitting, - #4 MJ x #6 MB	700908
40	12" Hose Assembly (4FJX x 4FJX)	830812
41	SPG Pressure Gauge	290293

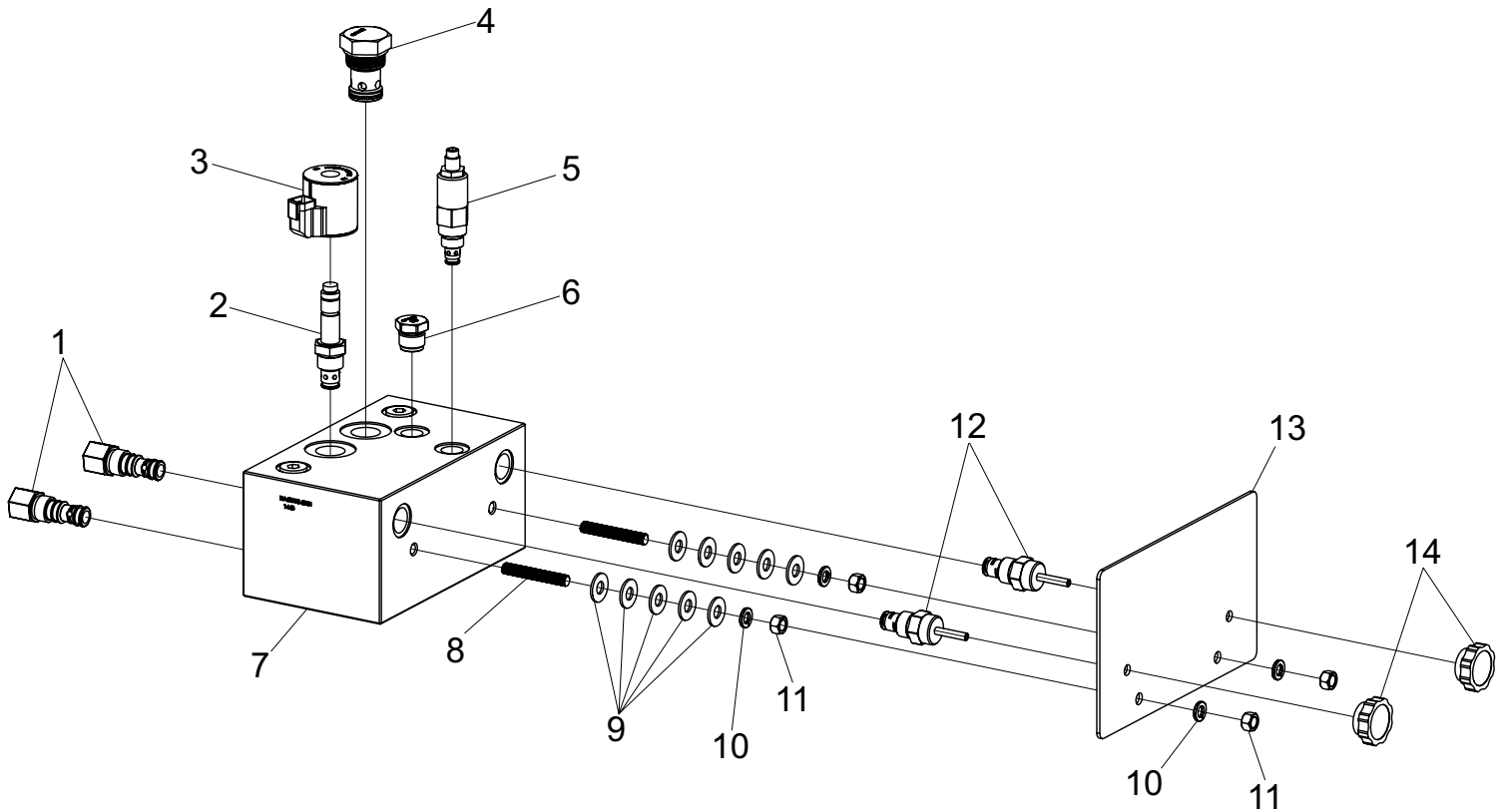
Note: Ref #12 (6:1 Reduction Gearbox) was changed at serial number 95941. Old style gearboxes are no longer available. When ordering gearbox for a spreader with serial number under 95941, use number 891220. This includes the new gearbox (891217) and apron shaft (895084) used with new gearbox.

[Previous Page](#)

[Next Page](#)

[Back to Index](#)

Manifold Components



Ref#	Description	Part#
1	EP10-S35 40 Directional Valve	806140
2	SV16-21 2 Way N/O Poppet Valve	830320
3	Solenoid Valve Coil (4303712)	830325
4	CV16-20-0-N-15 Check Valve	830801
5	Relief Valve	830535
6	CV10-20-0-N-02 Check Valve	830802
7	Hydraulic Manifold with all valves included	890940

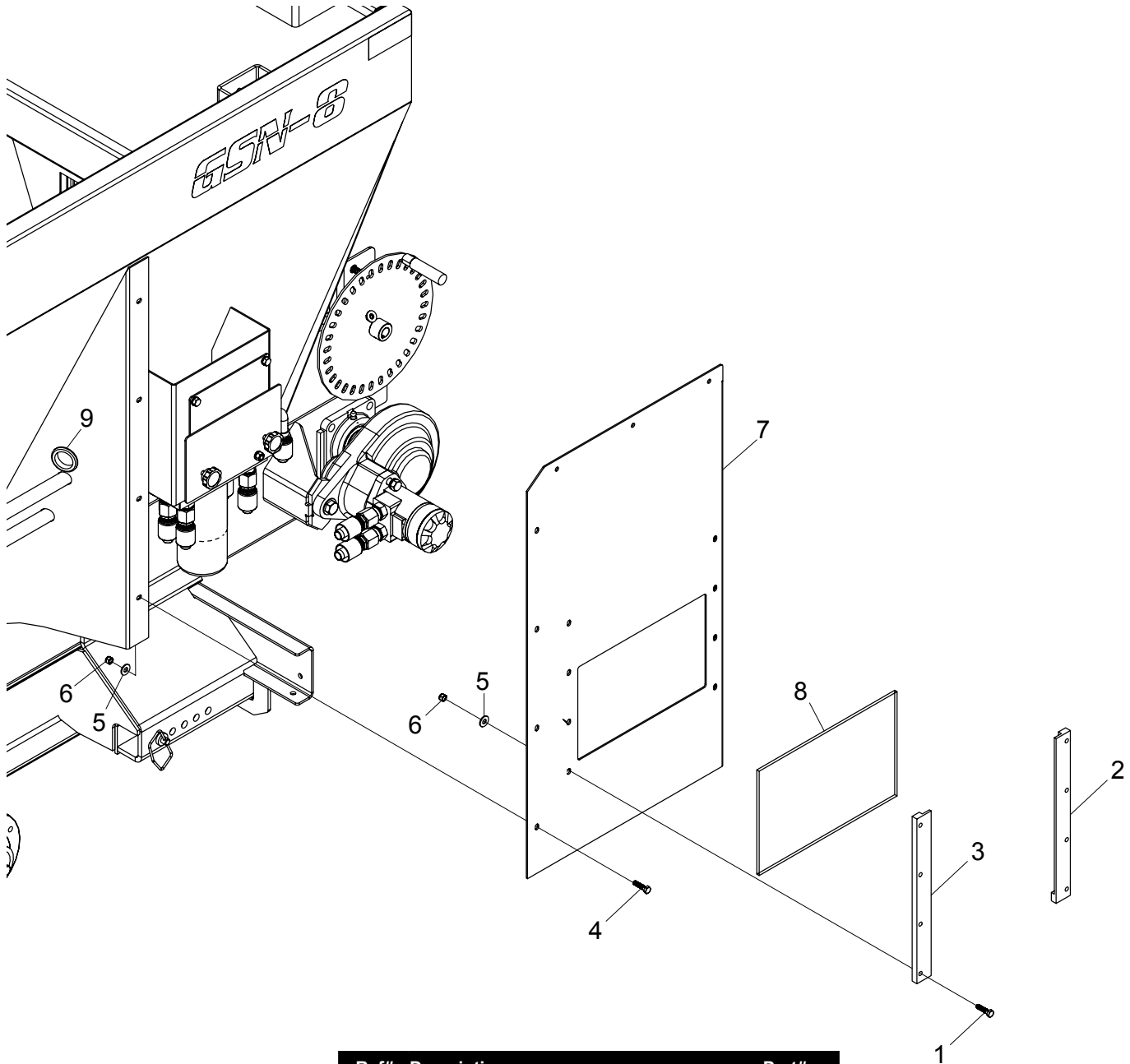
Ref#	Description	Part#
8	3/8" x 2-1/2" Threaded Rod	890951
9	3/8" Flat Washer	001035
10	3/8" Lock Washer	000820
11	3/8" Hex Nut	000915
12	MR10-20A Flow Control Valve	806136
13	Manifold Face Plate	890451
14	Control Knob	806143

Previous Page

Next Page

Back to Index

Manifold Cover



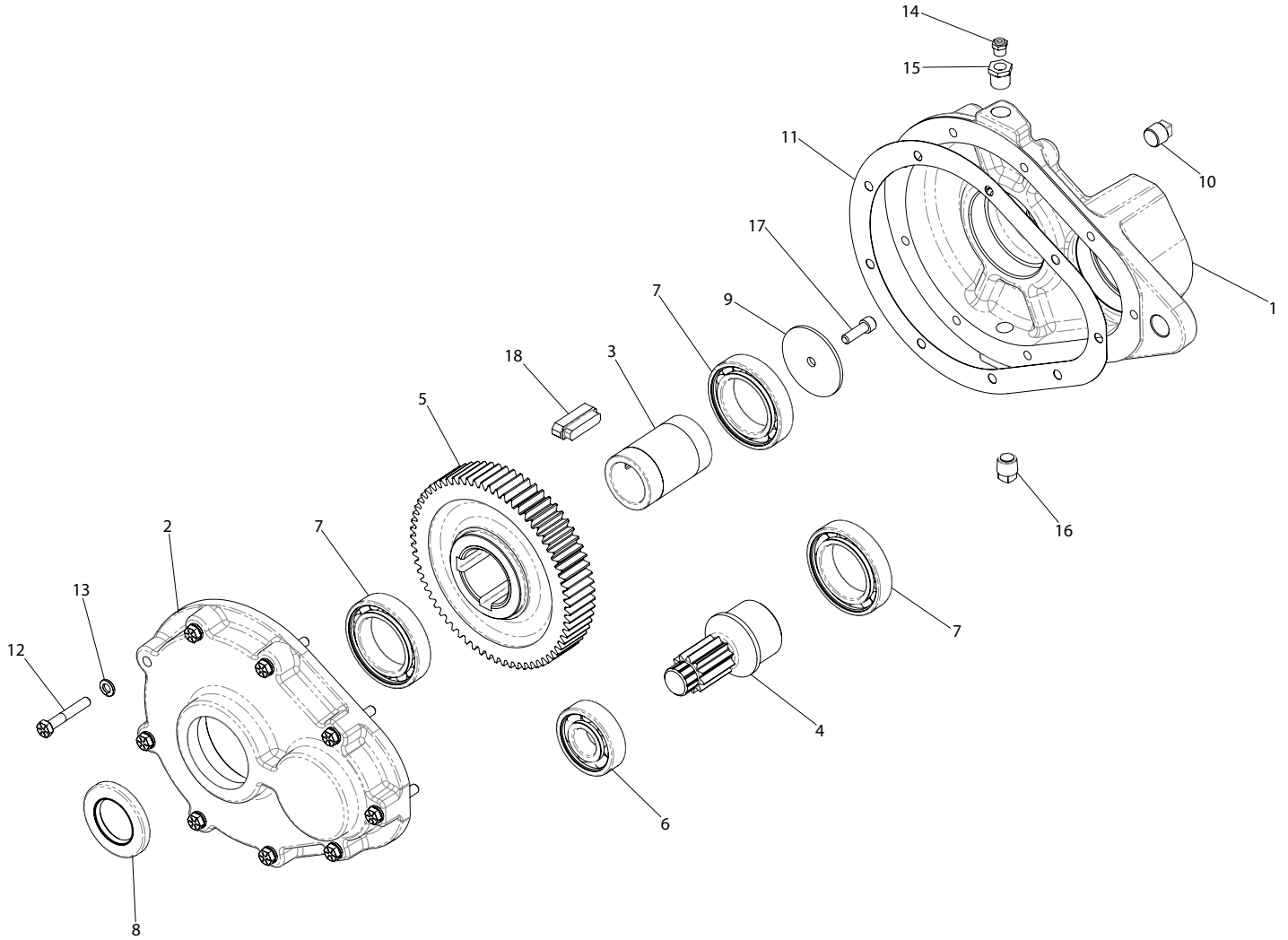
Ref#	Description	Part#
1	5/16" x 1-1/4" Hex Head Bolt	000230
2	Manifold Window Slide, Right	890456
3	Manifold Window Slide, Left	890455
4	5/16" x 3/4" Hex Head Bolt	000210
5	5/16" USS Flat Washer	001030
6	5/16" Nylon Lock Nut	002999
7	Manifold Cover Plate	890458
8	Flow Control Cover	890200
9	Grommet, 1-1/2" ID	403796

Previous Page

Next Page

Back to Index

Gearbox Components S/N 95417+



Ref#	Description	Part#
1	Outer Gearbox Housing	801419
2	Inner Gearbox Housing	801420
3	Output Shaft Housing	801421
4	Input Gear, 11 Tooth	801422
5	Output Gear, 67 Tooth	801423
6	6305 C3 Ball Bearing	801424
7	6010 C3 Ball Bearing	801425
8	Oil Seal, 1.50-2.623-.313	801426
9	Washer, 2.50 x .34 x .120	801427

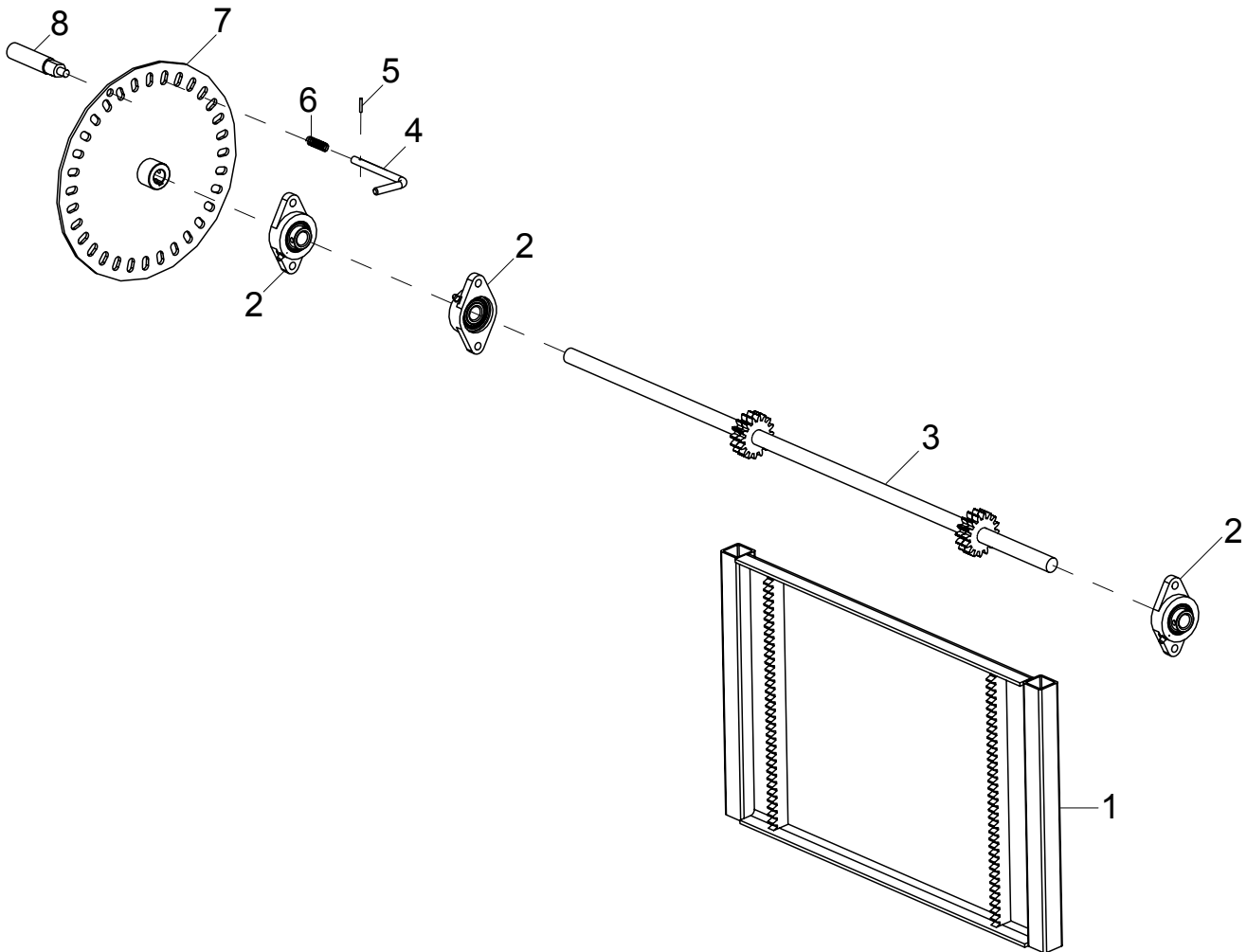
Ref#	Description	Part#
10	Square Head Plug, 3/8"-18 NPT w/ 3M	801428
11	Gasket	801429
12	5/16" x 2" Hex Head Bolt, Gr. 8	000122
13	5/16" Lock Washer	000810
14	Breather Plug, 1/8"-27	801430
15	Bushing, 3/8" x 1/8"	801431
16	Square Head Plug, 3/8"-18 NPT	801432
17	5/16" x 1" Bolt, Gr. 8	801434
18	Step Key, .50/.375x.664x1.760	801433

Previous Page

Next Page

Back to Index

Rear Gate



Ref#	Description	Part#	Qty
1	Endgate Weldment	895045	1
2	Flange Bearing	806108	3
3	Endgate Shaft	895047	1
4	Latch Pin	806052	1
5	Roll Pin, 1/8 x 3/4	000561	1
6	Endgate Latch Spring	806166	1
7	Endgate Wheel	806131	1
8	Swivel Handle	890193	1

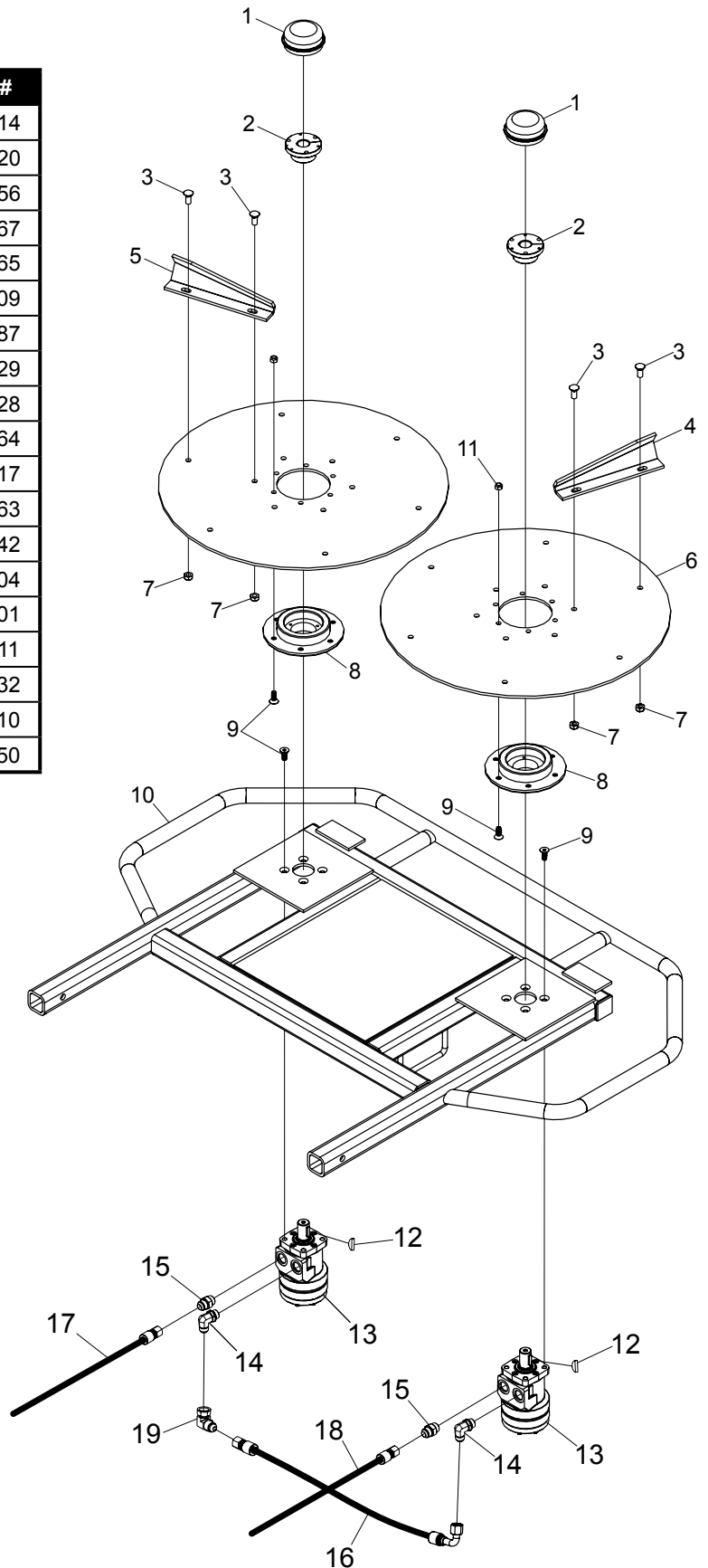
Previous Page

Next Page

Back to Index

Spinner Assembly

Ref#	Description	Part#
1	3.36 Ag Hub Cap	830314
2	1" SDS Tapered Bushing	505420
3	7/16" x 1" Carriage Bolt	000356
4	Spinner Paddle Weld Assembly, Left	830267
5	Spinner Paddle Weld Assembly, Right	830265
6	25" Bolt-On Spinner Disc	830309
7	7/16" Stover Lock Nut	000387
8	Concave Spinner / Taper Hub	830629
9	3/8" x 1" Flat Head Socket Cap Screw	000128
10	Spinner Frame Weld Assembly	895064
11	3/8" Top Lock Nut	000917
12	1/4" x 1" Half Moon Key	900863
13	Spinner Motor	891042
14	90° Fitting, #12 MJ x #10 MB	290004
15	Straight Fitting,- #12 MJ x #10 MB	290001
16	37" Hose Assembly (12FJX90S - 12FJX)	891211
17	60" Hose Assembly (12FJX45 - 12MP)	830332
18	38" Hose Assembly (12FJX45 - 12MP)	891210
19	90 Degree Elbow,- #12 MJ x #12 FJX	290150

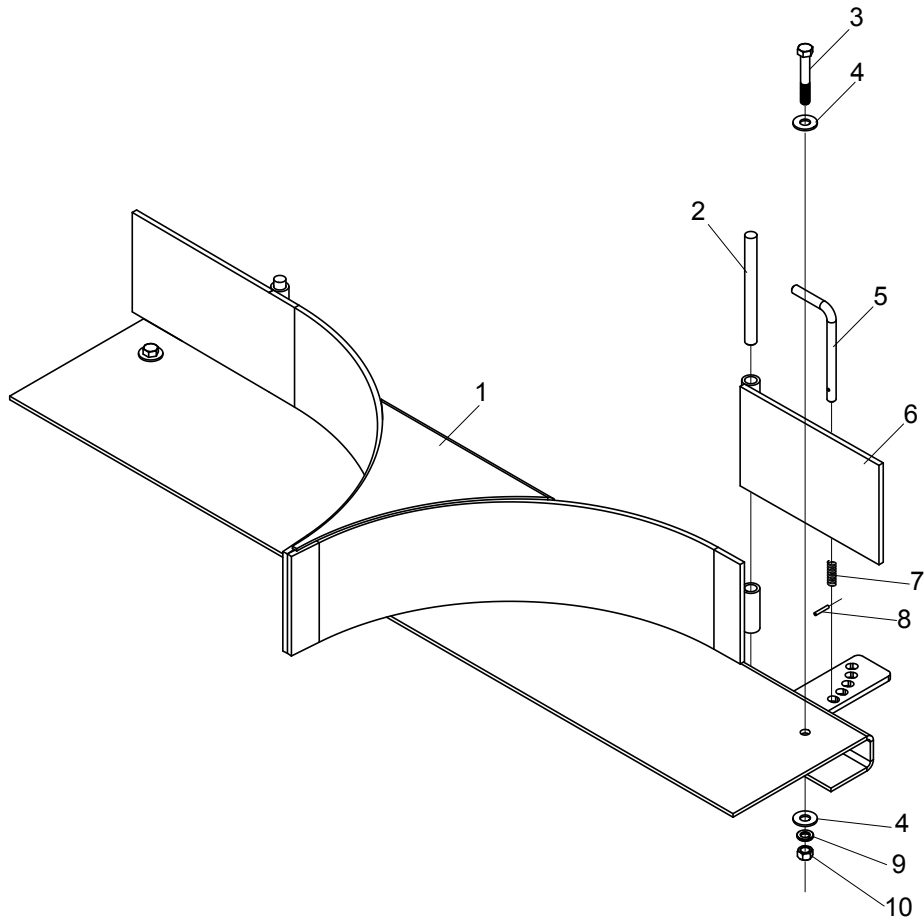


[Previous Page](#)

[Next Page](#)

[Back to Index](#)

Deflector Option



Ref#	Description	Part#	Qty
1	Deflector Frame	890179	1
2	Hinge Pin	801063	2
3	Bolt, 3/8 x 2-1/2	000300	3
4	Flat Washer, 3/8	001035	6
5	Latch Pin	806052	2
6	Flow Deflector, Left	890181	1
	Flow Deflector, Right	890180	1
7	Spring	806166	2
8	Roll Pin	000561	2
9	Lockwasher, 3/8	000820	3
10	Nut, 3/8	000915	3

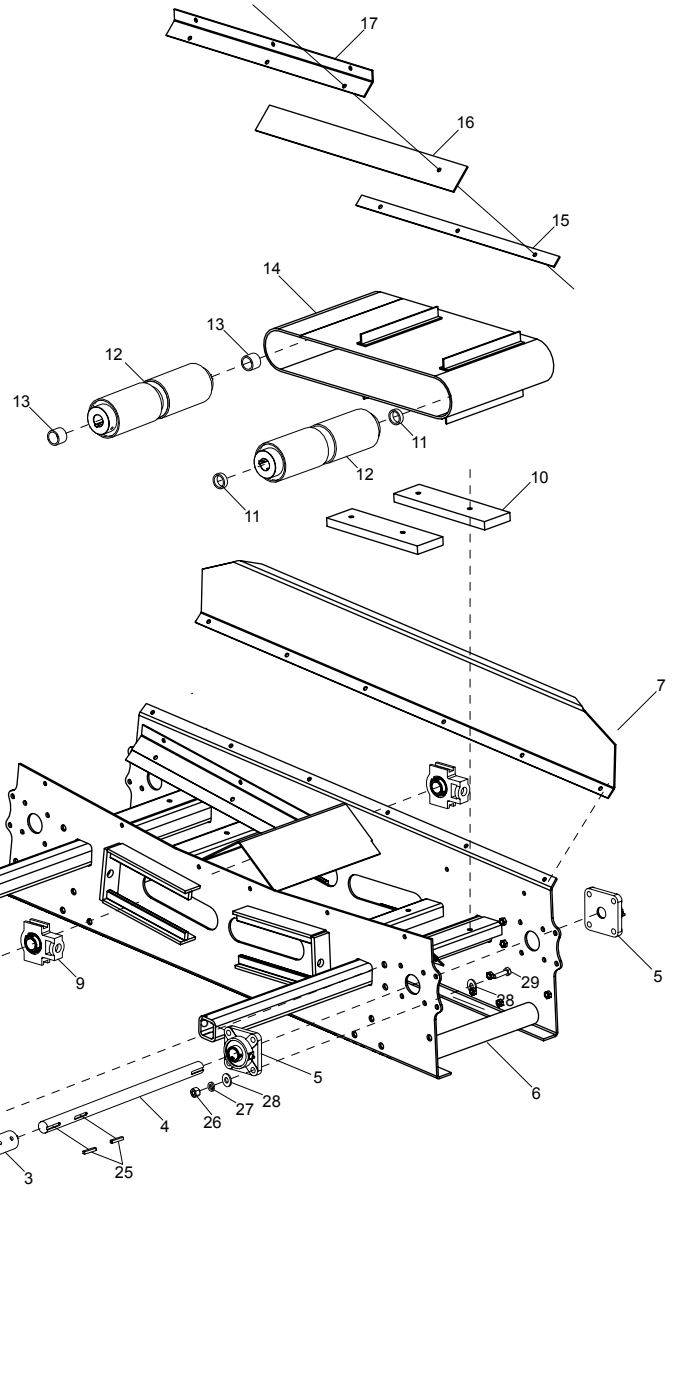
[Previous Page](#)

[Next Page](#)

[Back to Index](#)

Dual Conveyor Assembly

Ref#	Description	Part#	Qty
1	Hydraulic Motor	890164	2
2	Motor Bracket	800244	2
3	Coupler	400113	2
4	Drive Shaft	890277	2
5	Flange Bearing	700053	4
6	Conveyer Frame Weldment	895053	1
7	Side Extension	895054	1
8	Idler Shaft	800578	2
9	Take-up Bearing	806106	4
10	Polyboard	895055	4
11	Spacer	800994	4
12	Conveyor Pulley	800520	4
13	Spacer	800563	4
14	Conveyor Belt	895059	2
15	Hold Down Strip	895057	4
16	Skirt Board Rubber	895052	4
17	Skirt Board Strip	895056	4
18	12MJ x 10MB Straight Fitting	290001	4
19	67" Hose Assembly (12FJX90 - 12MP)	895083	1
20	45" Hose Assembly (12FJX - 12FJX)	895082	1
21	23" HOSE ASSEMBLY (12FJX90 - 12MP)	890293	1
22	Male Ag. Quick Coupler	290040	1
23	Female Ag. Quick Coupler	290041	1
24	90 Degree Elbow, - #12 MJ x #10 MB	290004	2

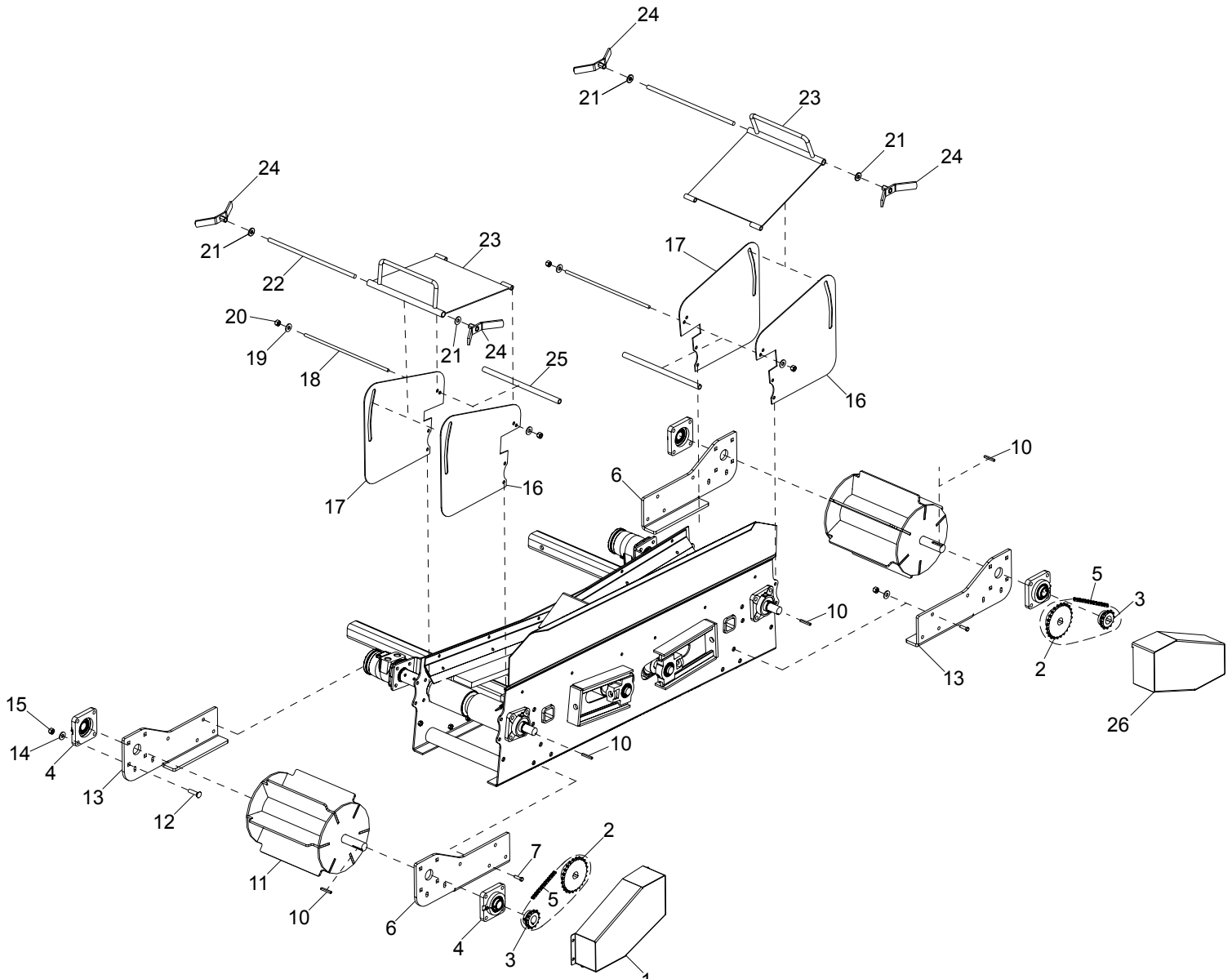


[Previous Page](#)

[Next Page](#)

[Back to Index](#)

Flicker Option



Ref#	Description	Part#	Qty
1	Left Chain Shield Weldment	890281	1
2	Large Sprocket	830666	2
3	Small Sprocket	830665	2
4	4 Bolt 1-1/8" Flange Bearing	400104	4
5	ANSI #50 Chain	890290	2
6	Flicker Mounting Bracket	890259	2
8	3/8" Lock Washer	000820	12
9	3/8" Hex Nut	000915	12
10	1/4" x 1-1/2" Key	700161	2
11	Flicker Weldment	890254	2
12	7/16" x 1-3/4" Carriage Bolt	000363	16
13	Flicker Mounting Bracket	890257	2
14	7/16 Lock Washer	000830	16

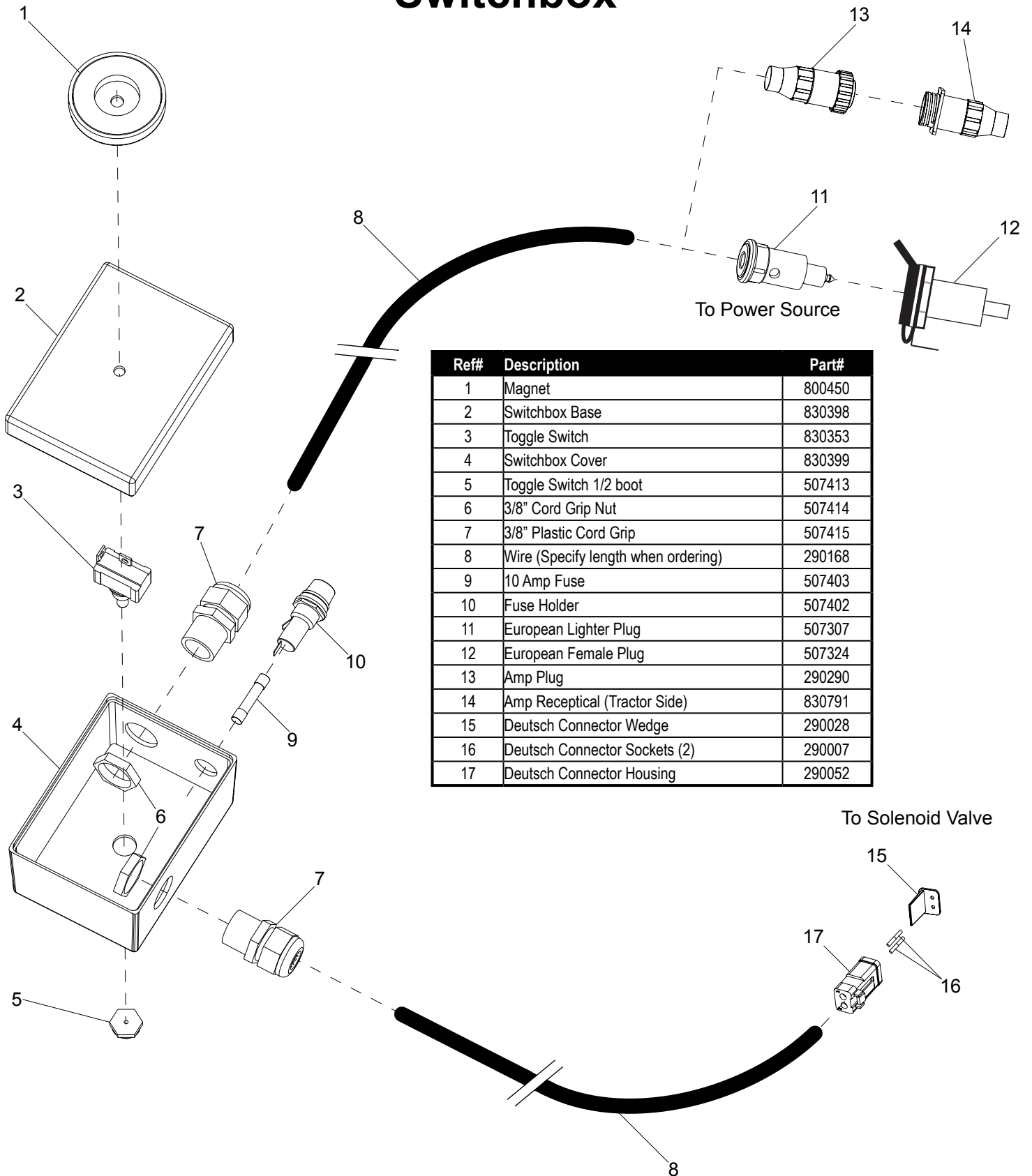
Ref#	Description	Part#	Qty
15	7/16" Hex Nut	000935	16
16	Rear Flicker Side Panel	890265	2
17	Front Flicker Side Panel	890274	2
18	3/8" Threaded Rod	890288	2
19	3/8" Flat Washer	001035	4
20	3/8" Lock Nut	003000	4
21	1/2" Flat Washer	001055	4
22	1/2" Threaded Rod	890287	2
23	Flicker Deflector Weldment	890268	2
24	Tightener Handle	890272	2
25	Flicker Spacer Pipe	890270	2
26	Right Chain Shield Weldment	890283	1

[Previous Page](#)

[Next Page](#)

[Back to Index](#)

Switchbox



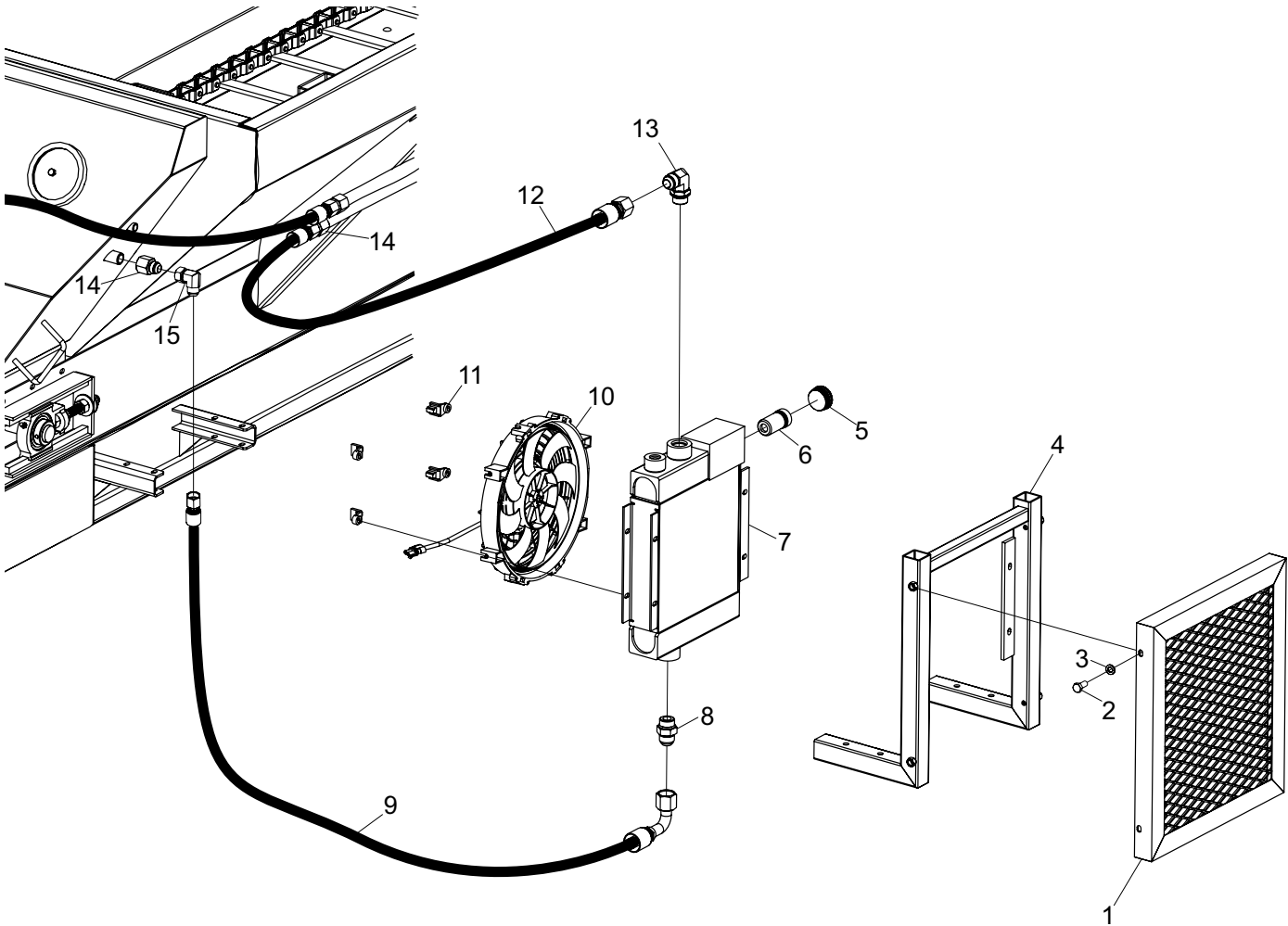
Ref#	Description	Part#
1	Magnet	800450
2	Switchbox Base	830398
3	Toggle Switch	830353
4	Switchbox Cover	830399
5	Toggle Switch 1/2 boot	507413
6	3/8" Cord Grip Nut	507414
7	3/8" Plastic Cord Grip	507415
8	Wire (Specify length when ordering)	290168
9	10 Amp Fuse	507403
10	Fuse Holder	507402
11	European Lighter Plug	507307
12	European Female Plug	507324
13	Amp Plug	290290
14	Amp Receptical (Tractor Side)	830791
15	Deutsch Connector Wedge	290028
16	Deutsch Connector Sockets (2)	290007
17	Deutsch Connector Housing	290052

[Previous Page](#)

[Next Page](#)

[Back to Index](#)

Oil Cooler Option



Ref#	Description	Part#
1	Cooler Grill Weldment	801166
2	5/16-18 x 3/4 Truss Head Bolt, Zinc	000210
3	5/16 Lock Washer, Zinc	000810
4	Cooler Frame Weldment	801160
5	#20 Plug	890459
6	Oil Cooler Check Valve	890462
7	Oil Cooler Core	890463
8	Straight Fitting, #12 MJ x #12 MB	290065
9	45-1/2" Hose Assembly (12FJX90S - 12FJX)	891211
10	Oil Cooler Fan W/Shroud	890460
11	Oil Cooler Fan Mounting Bracket	890461
12	27" Hose Assembly (12FJX - 12FJX)	890357
13	90 Degree Fitting, #12 MJ x #12 MB	290022
14	Straight Fitting,- #12 MJ x #12 FP	290019
15	90 Degree Elbow,- #12 MJ x #12 FJX	290150

[Previous Page](#)

[Next Page](#)

[Back to Index](#)