

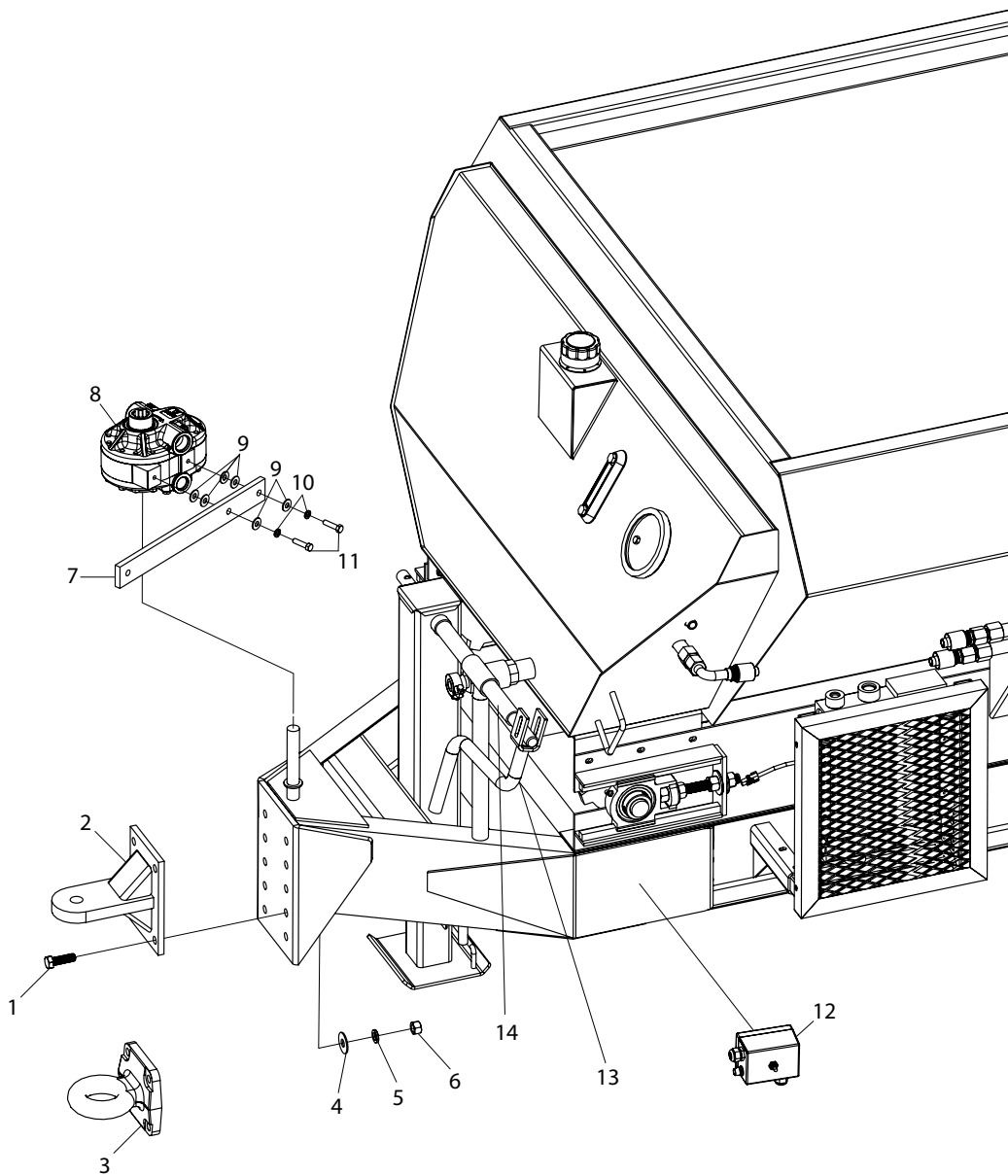


GS12 Grape Spreader

Illustrated Parts Breakdown

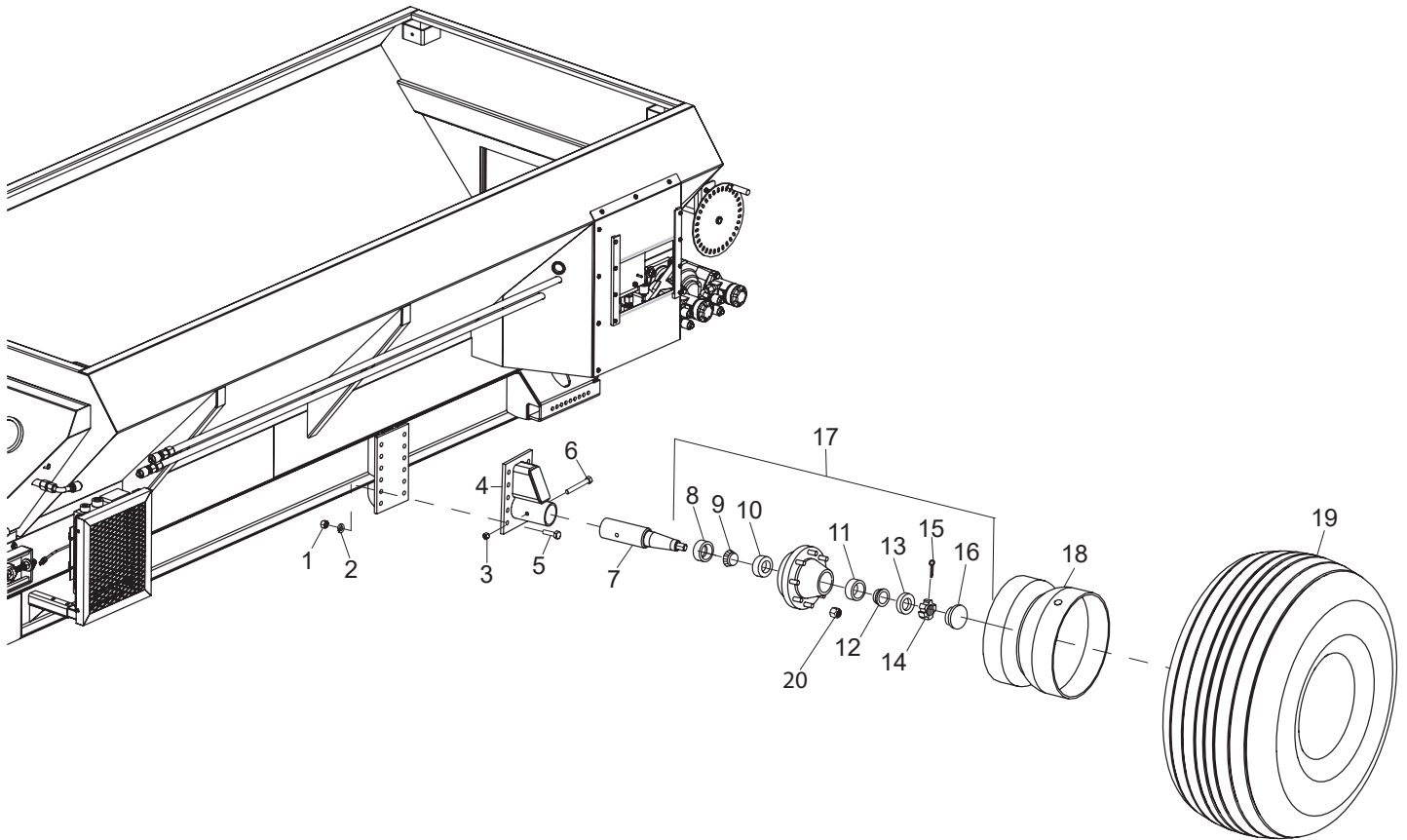
Page 1	Front End Assembly
Page 2	Axle Assembly
Page 3	Floor & Apron
Page 4	Pump Assembly
Page 5	Hydraulics
Page 6	Manifold Components
Page 7	Gearbox Components S/N -94964
Page 8	Gearbox Components S/N 94965+
Page 9	Twin Speed Reducer
Page 10	Rear Gate
Page 11	Spinner Assembly
Page 12	Conveyer Assembly
Page 13	Single Conveyer Hydraulics & Drive
Page 14	Single Conveyer Flooring & Rubber
Page 15	Deflector Option
Page 16	Flicker Option
Page 17	Switchbox
Page 18	Oil Cooler Option

Front End Assembly



Ref#	Description	Part#
1	5/8" x 2" Hex Head Bolt	000615
2	GS-12 Draw Bar Hitch Weldment	890446
3	Pintle Hitch	101123
4	5/8" USS Flat Washer	001075
5	5/8" Split Lock Washer	000860
6	5/8" Hex Nut	000970
7	Pump Holder	801052
8	PTO Pump	890178
9	3/8" USS Flat Washer	001035
10	3/8" Split Lock Washer	000820
11	3/8" x 1-1/2" Hex Head Bolt	000280
12	Switchbox	890194
13	Jack Handle and Bolt	100448
14	Side Wind ext handle	891078

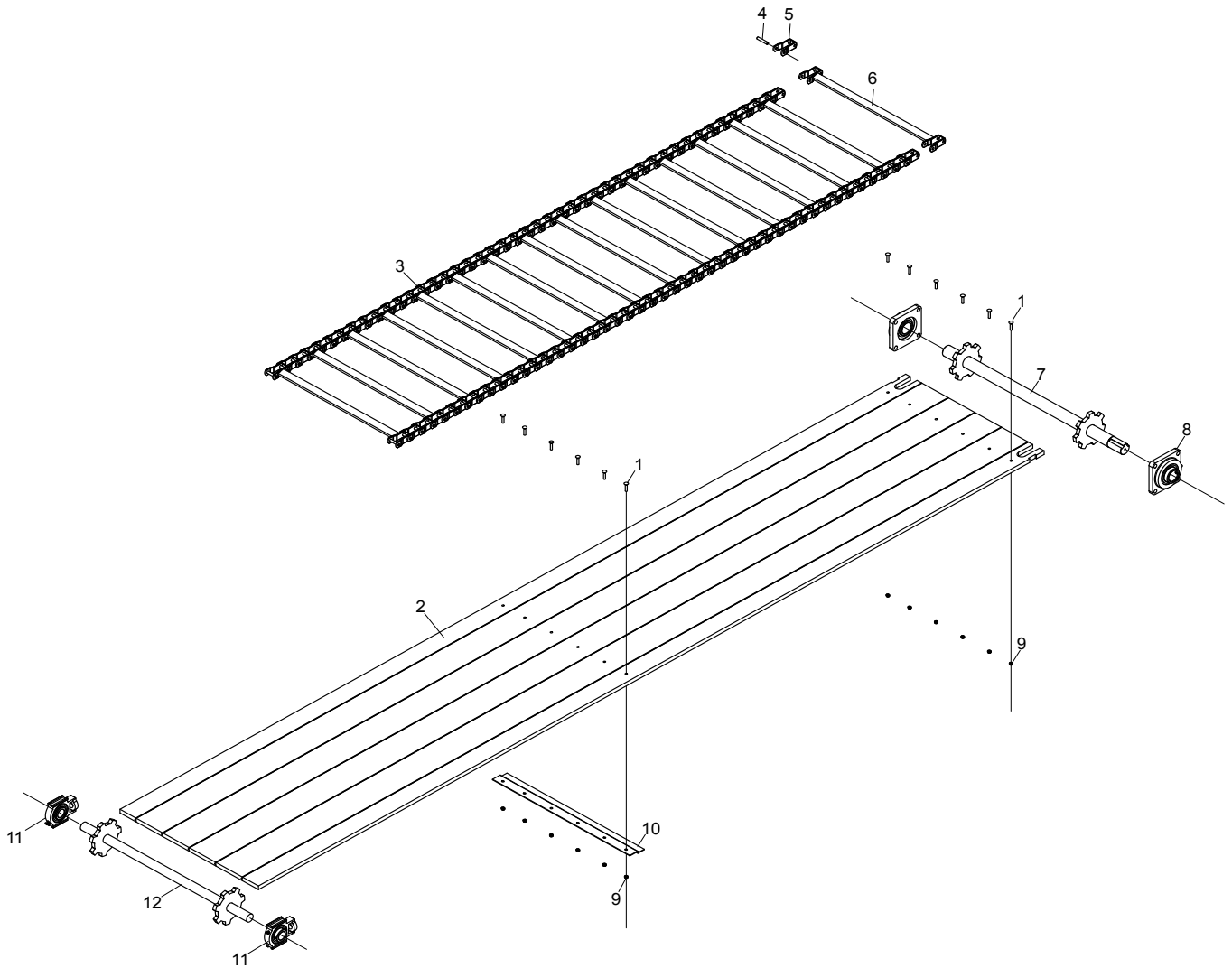
Axle Assembly



Ref#	Description	Part#
1	5/8" Hex Nut	000970
2	5/8" Lock Washer	000860
3	1/2" Nylon Lock Nut	000950
4	Spindle Bracket Assembly	801403
5	5/8" x 2" Hex Head Bolt	000615
6	1/2" x 4-1/2" Hex Head Bolt	000500
7	3" x 14" Spindle	890439
8	Grease Seal	300431
9	Bearing 387AS	300430
10	Race, 382A	101428

Ref#	Description	Part#
11	Race, LM501310	300247
12	Bearing, LM501349	300248
13	Spindle Washer	890585
14	Spindle Nut	300275
15	Cotter Pin, 1/4 x 2-1/4	001231
16	Dust Cap	300249
17	Complete Hub	830045
18	16.1 x 16 Silver Wheel 8 on 8 BC	830047
19	21.5L x 16.1 x 10-Ply Tire	830258
20	Lug Nut 1288 Hub (5/8" Fine)	300278

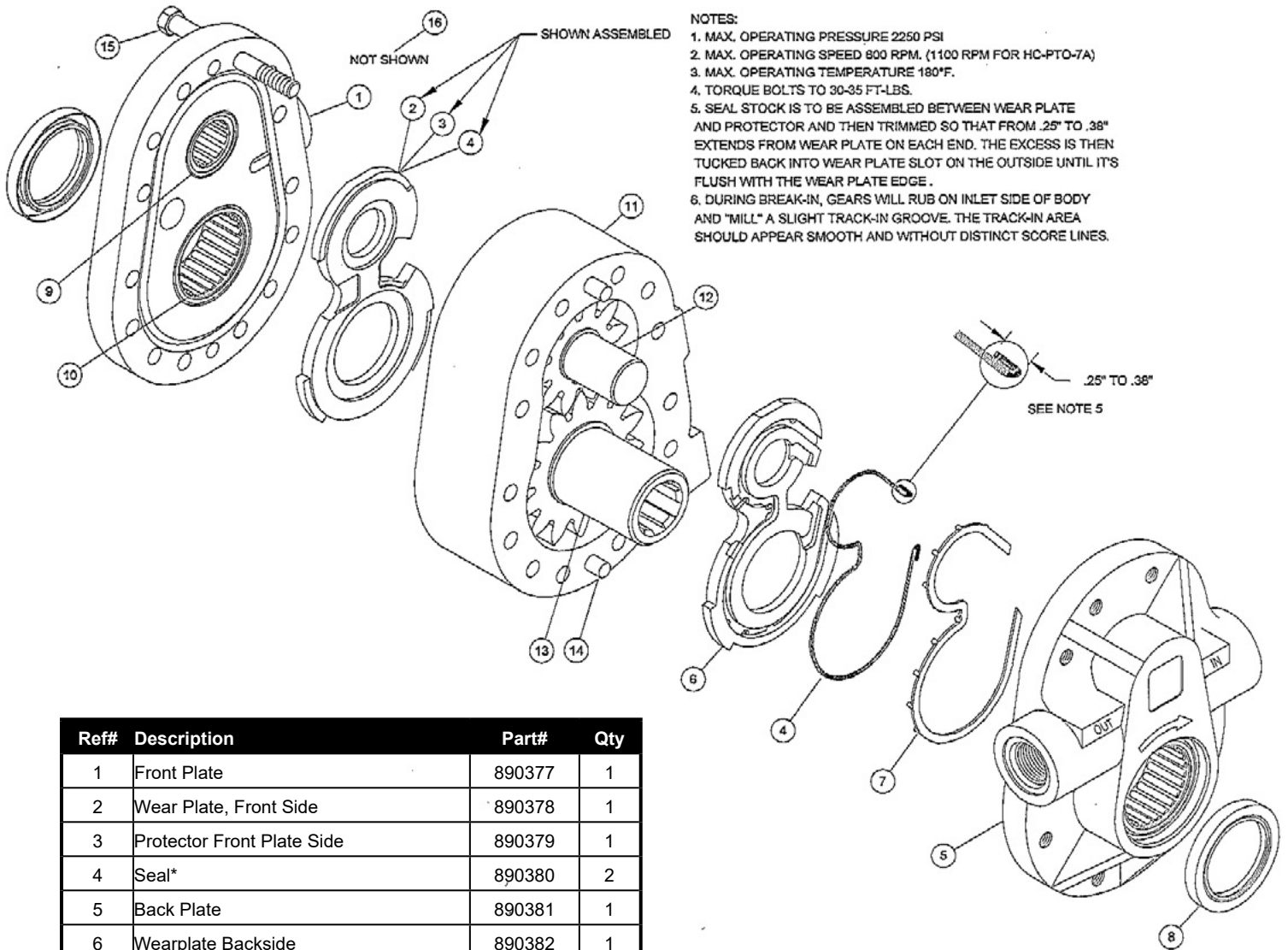
Floor & Apron



Ref#	Description	Part#
1	Carriage Bolt, 5/16 x 1-1/2	000126
2	Floor Board	
3	Web Chain w/ Slats (10' Section)	830555-WD
4	Connector Pin	830328
5	Connector Link w/ Pin	830326
6	Slat Assembly	890375
7	Rear Drive Shaft Weldment	830528
8	Flange Bearing	801100
9	Nut, 5/16	000910
10	Floor Hold Plate	830557
11	Take-up Bearing	801099
12	Front Drive Shaft Weldment	830675

** Left & Right floor boards must be cut to correct width

Pump Assembly

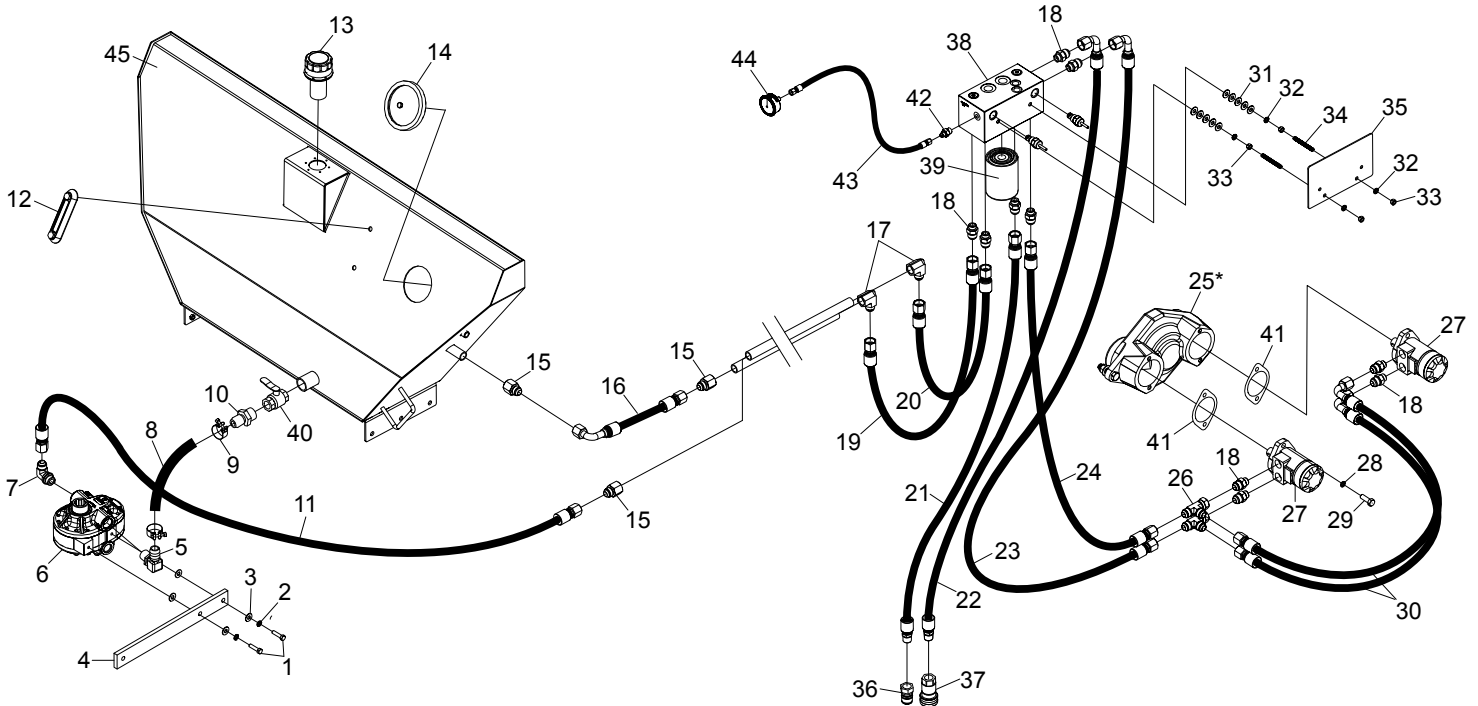


- NOTES:
1. MAX. OPERATING PRESSURE 2250 PSI
 2. MAX. OPERATING SPEED 800 RPM. (1100 RPM FOR HC-PTO-7A)
 3. MAX. OPERATING TEMPERATURE 180°F.
 4. TORQUE BOLTS TO 30-35 FT-LBS.
 5. SEAL STOCK IS TO BE ASSEMBLED BETWEEN WEAR PLATE AND PROTECTOR AND THEN TRIMMED SO THAT FROM .25" TO .38" EXTENDS FROM WEAR PLATE ON EACH END. THE EXCESS IS THEN TUCKED BACK INTO WEAR PLATE SLOT ON THE OUTSIDE UNTIL IT'S FLUSH WITH THE WEAR PLATE EDGE.
 6. DURING BREAK-IN, GEARS WILL RUB ON INLET SIDE OF BODY AND "MILL" A SLIGHT TRACK-IN GROOVE. THE TRACK-IN AREA SHOULD APPEAR SMOOTH AND WITHOUT DISTINCT SCORE LINES.

Ref#	Description	Part#	Qty
1	Front Plate	890377	1
2	Wear Plate, Front Side	890378	1
3	Protector Front Plate Side	890379	1
4	Seal*	890380	2
5	Back Plate	890381	1
6	Wearplate Backside	890382	1
7	Protector Back Plate Side*	890383	1
8	Shaft Seal*	890384	2
9	Idler Shaft Bearing	890385	2
10	Drive Shaft Bearing	890386	2
11	Body HC-PTO-2A	890387	1
12	Gear Assembly	890388	1
13	Drive Gear Assembly	890389	1
14	Dowel Pin	890390	2
15	Cap Screw	890391	12
16	Seal Kit	890392	1

Note: All items with * are included in Seal Kit.

Hydraulics

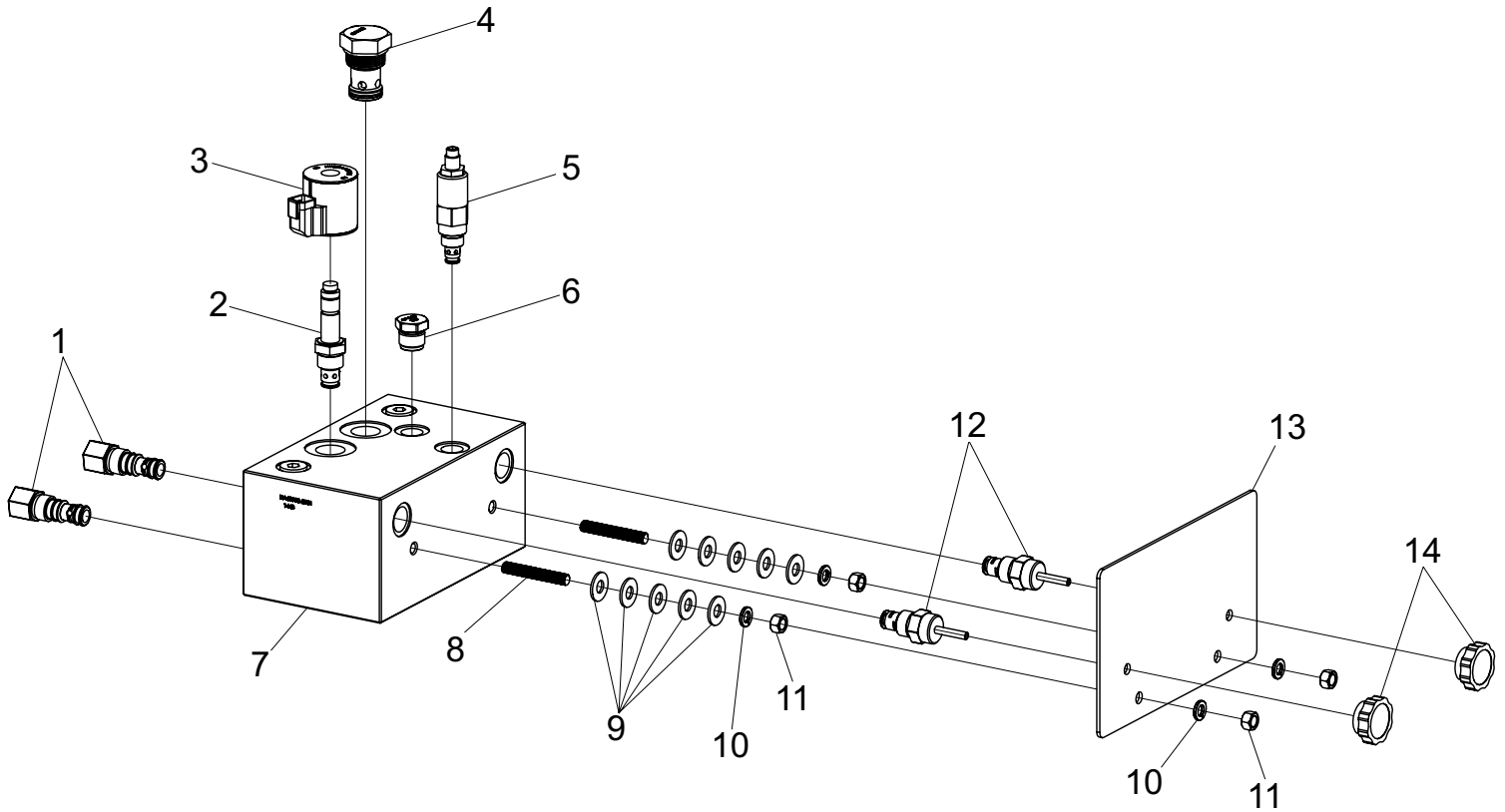


*Note: Double Drive Gearbox (ID 25) was changed at serial number 94965. Old gearbox (801098) is no longer available and will be substituted with new gearbox (801418).

Ref#	Description	Part#
1	3/8" x 1-1/2" Hex Head Bolt	000280
2	3/8" Split Lock Washer	000820
3	3/8" Flat Washer	001035
4	Pump Holder	801052
5	90 Degree Elbow (20HB x 16MB)	290080
6	PTO Pump	890178
7	90 Degree Elbow (12MJ x 12MB)	290022
8	72" Suction Hose	830689
9	1-1/2" SV Hose Clamp	290169
10	Straight Fitting (20HB x 20MP)	290187
11	111" Hose Assembly (12FJX x 12FJX)	830688
12	Hydraulic Tank Sight Gauge	290054
13	4" Tank Filler Breather Cap	290142
14	6" Tank Door	290044
15	Straight Fitting (12MJ x 12FP)	290019
16	27" Hose Assembly	830336
17	90 Degree Elbow (12MJ x 12FP)	290093
18	Straight Fitting (12MJ x 10MB)	290001
19	22" Hose Assembly (12FJX - 12FJX)	830681
20	25" Hose Assembly (12FJX - 12FJX)	830682
21	12" Hose Assembly (12FJX x 12MP)	830683
22	19" Hose Assembly (12FJX90S x 12MP)	830684

Ref#	Description	Part#
23	24" Hose Assembly (12FJX90S - 12FJX)	830686
24	21" Hose Assembly (12FJX - 12FJX)	830685
25	6:1 Double Drive Gearbox S/N 94982+	801418
26	T-Fitting (12MJ x 12FJX x 12MJ)	290034
27	Drive Motor	830171
28	1/2" Lock Washer	000840
29	1/2" x 1-1/2" Hex Head Bolt	000435
30	23" Hose Assembly (12FJX90 x 12FJX)	890333
31	3/8" Flat Washer	001035
32	3/8" Lock Washer	000820
33	3/8" Hex Nut	000915
34	3/8" x 3-1/4" Threaded Rod	902245
35	Manifold Face Plate	890451
36	3/4" Male Ag Coupling	290040
37	3/4" Female Ag Coupling	290041
38	Manifold	890940
39	Oil Filter	890962
40	Ball Valve	830355
41	2 Bolt Flange Gasket	830251
42	Straight Fitting, - #4 MJ x #6 MB	700908
43	12" Hose Assembly (4FJX x 4FJX)	830812
44	SPG Pressure Gauge	290293
45	Oil Tank	890410

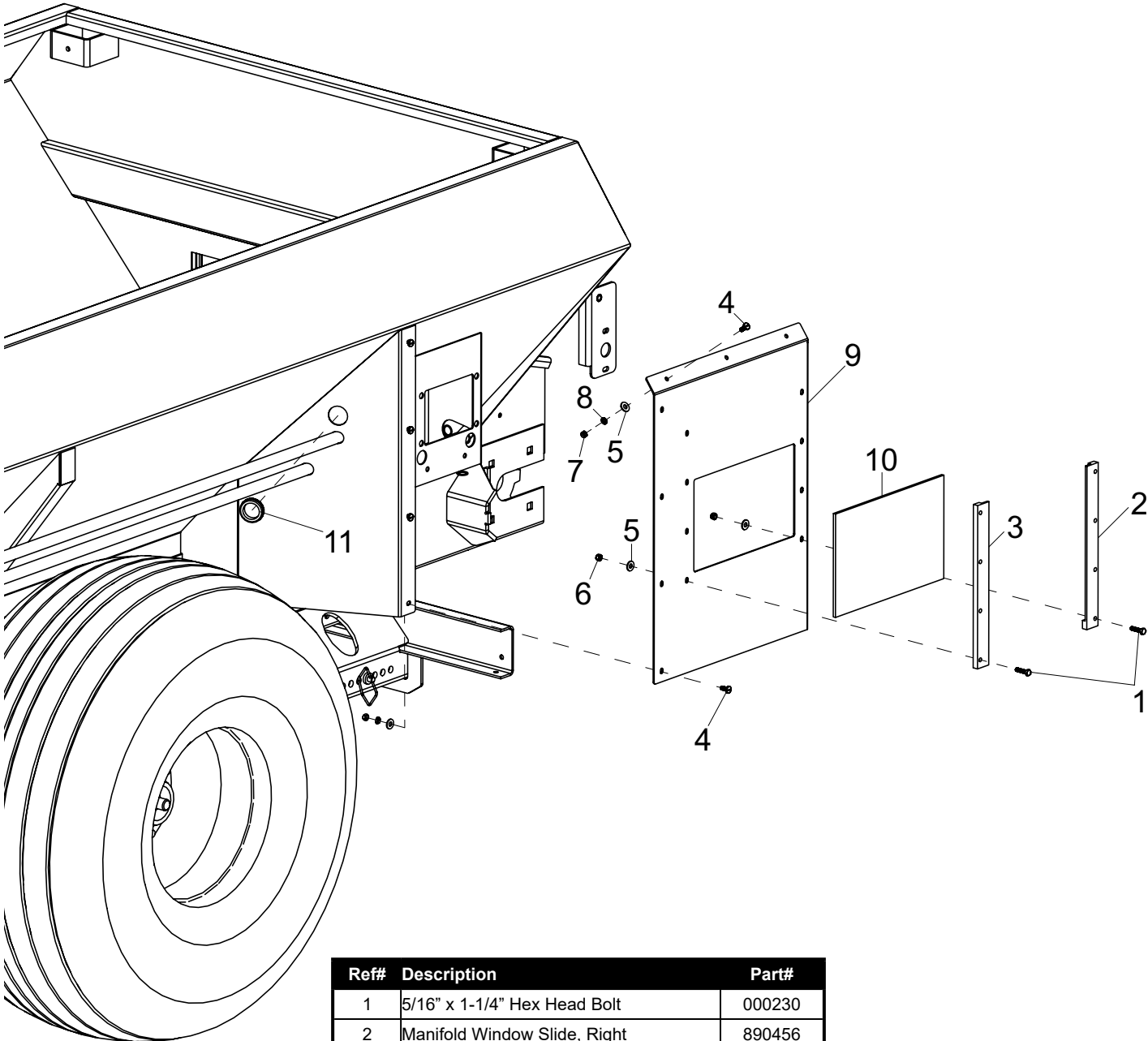
Manifold Components



Ref#	Description	Part#
1	EP10-S35 40 Directional Valve	806140
2	SV16-21 2 Way N/O Poppet Valve	830320
3	Solenoid Valve Coil (4303712)	830325
4	CV16-20-0-N-15 Check Valve	830801
5	Relief Valve	830535
6	CV10-20-0-N-02 Check Valve	830802
7	Hydraulic Manifold with all valves included	890940

Ref#	Description	Part#
8	3/8" x 2-1/2" Threaded Rod	890951
9	3/8" Flat Washer	001035
10	3/8" Lock Washer	000820
11	3/8" Hex Nut	000915
12	MR10-20A Flow Control Valve	806136
13	Manifold Face Plate	890451
14	Control Knob	806143

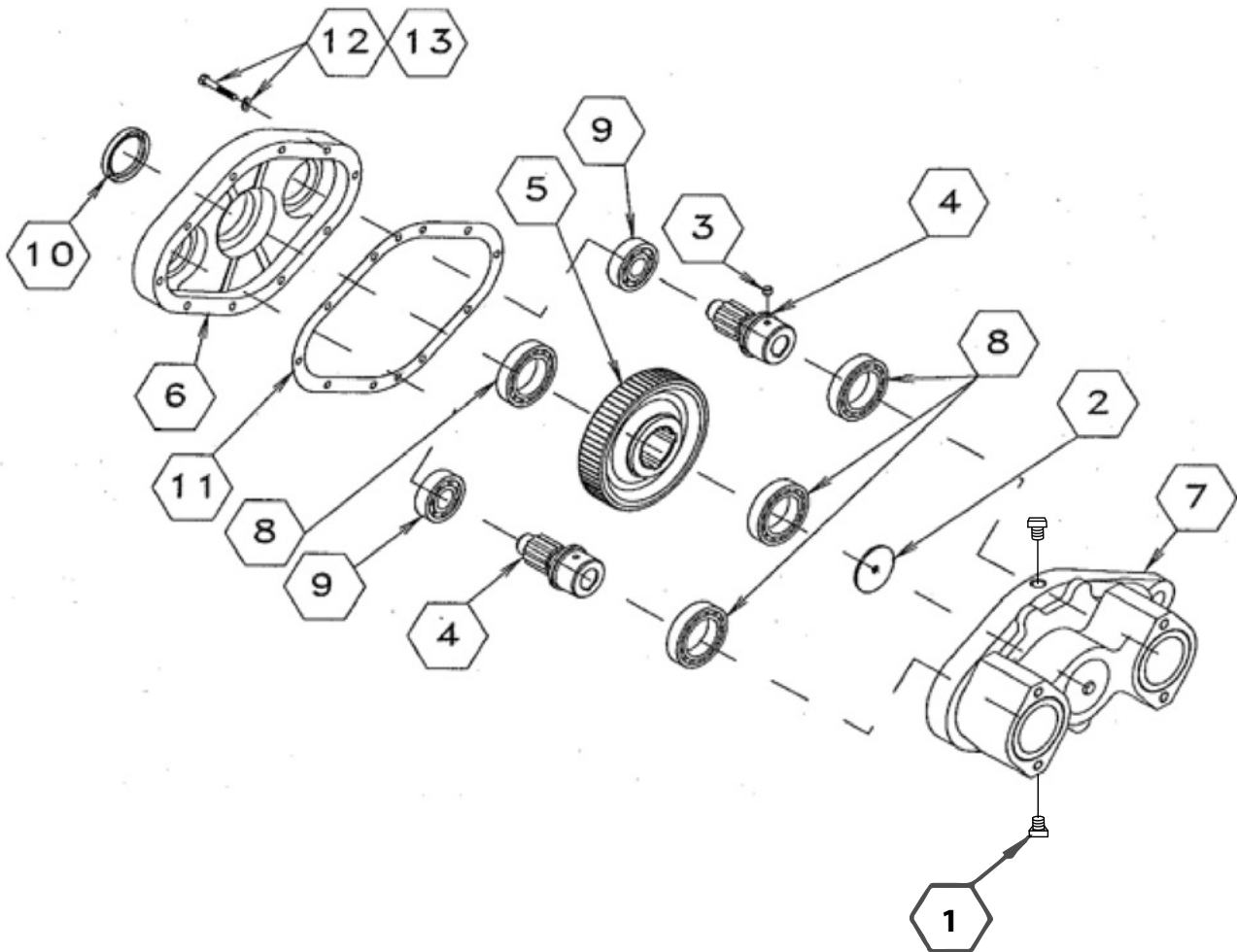
Manifold Cover



Ref#	Description	Part#
1	5/16" x 1-1/4" Hex Head Bolt	000230
2	Manifold Window Slide, Right	890456
3	Manifold Window Slide, Left	890455
4	5/16" x 3/4" Hex Head Bolt	000210
5	5/16" USS Flat Washer	001030
6	5/16" Nylon Lock Nut	002999
7	5/16" Hex Nut	000910
8	5/16" Lock Washer	000810
9	Manifold Cover Plate	890458
10	Flow Control Cover	890200
11	Grommet, 1-1/2" ID	403796

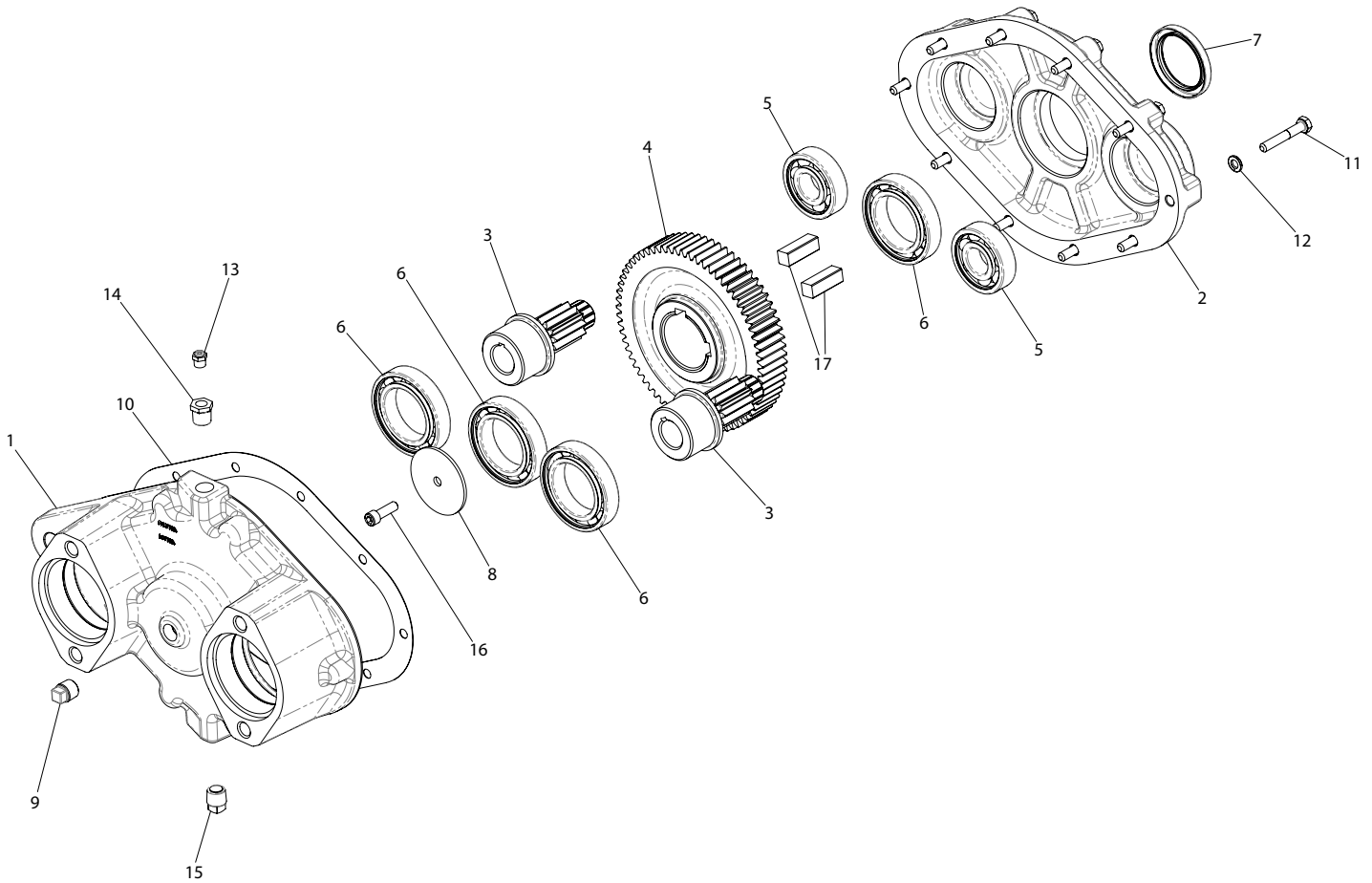
Gearbox Components S/N -94965

*Limited Parts Available. Can substitute complete gearbox with Part # 801418



Ref#	Description	Part#
1	Plugs and Keys	830700
2	Washer	830701
3	Plug-Delrin	830702
4	Gear-Pinion	830703
5	Gear-Driven	830704
6	Housing-Inboard	830705
7	Housing-Outboard	830706
8	Bearing	830707
9	Bearing	830708
10	Oil Seal	800136
11	Gasket	830709
12	Lock Washer	000810
13	Capscrew	000122

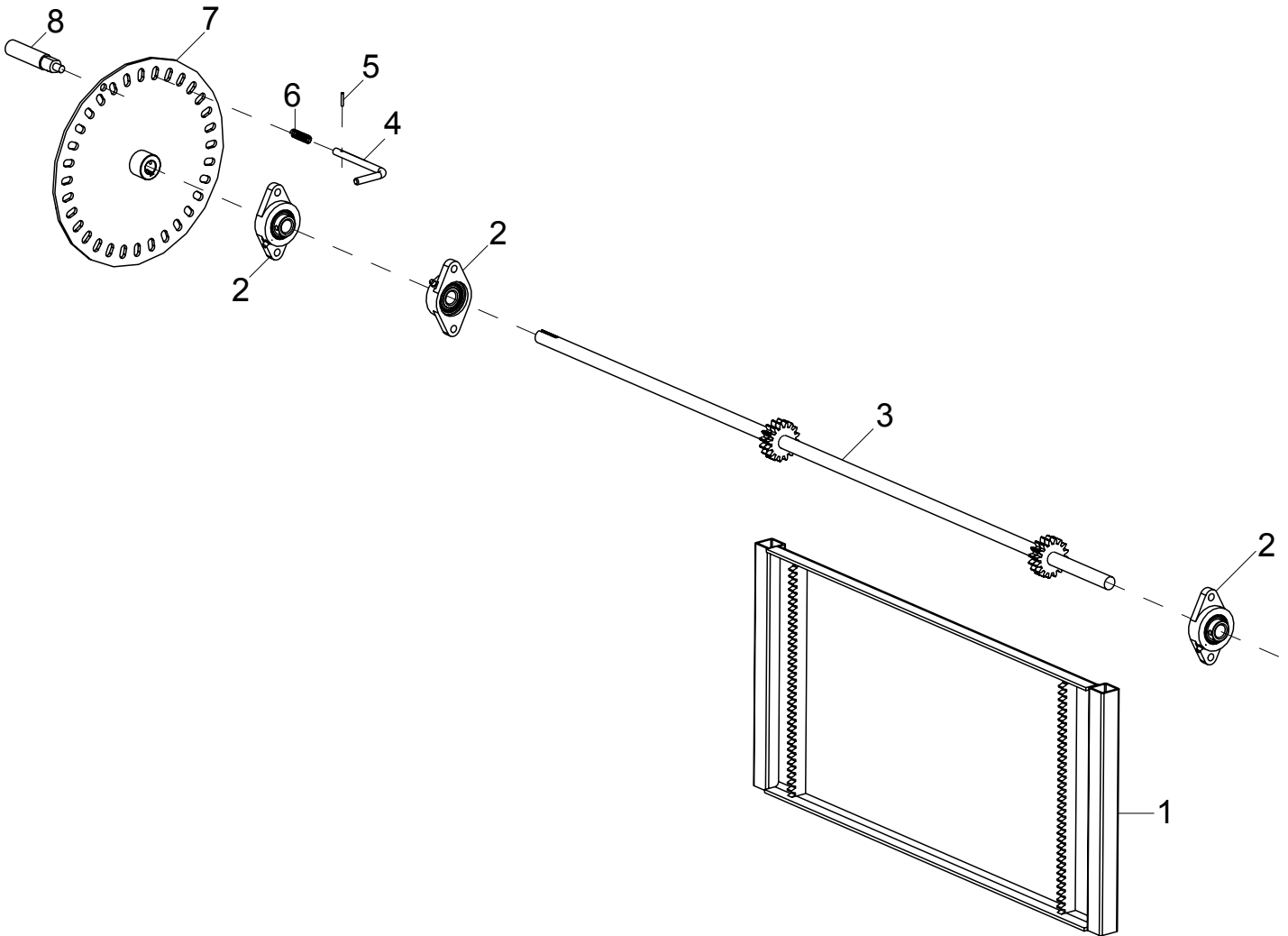
Gearbox Components S/N 94965+



Ref#	Description	Part#
1	Outer Housing	801435
2	Inner Housing	801436
3	11 Tooth Spur Gear	801422
4	67 Tooth Spur Gear	801423
5	6305 C3 Ball Bearing	801424
6	6010 C3 Ball Bearing	801425
7	1.969-2.627-.312	801437
8	2.50 x .34 x .120 Washer	801427
9	3/8" NPT Square Head Plug w/ 3M	801428

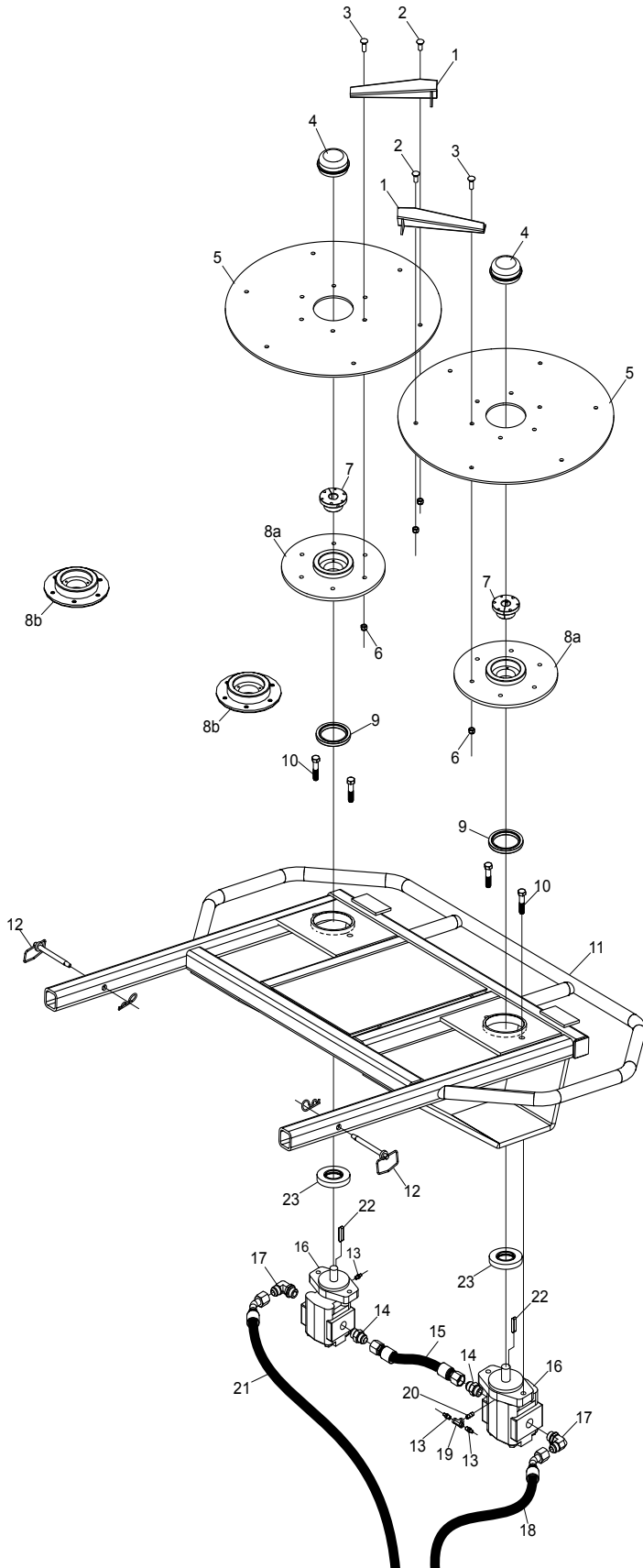
Ref#	Description	Part#
10	IP39 Gasket	801438
11	5/16" x 2" Hex Head Bolt, Gr. 8	000122
12	5/16" Lock Washer	000810
13	1/8" NPT Vent Plug, 5 PSI	801430
14	3/8" NPT x 1/8" NPT Bushing	801431
15	3/8" NPT MAG Square Head Plug	801432
16	5/16" x 1" Gr. 8 Bolt	401434
17	1/2" x 1/2" x 1-1/2" Key	801439
18	Complete Gearbox	801418

Rear Gate



Ref#	Description	Part#	Qty
1	Endgate Weldment	890120	1
2	Flange Bearing	806108	3
3	Endgate Shaft	890444	1
4	Latch Pin	806052	1
5	Roll Pin, 1/8 x 3/4	000561	1
6	Endgate Latch Spring	806166	1
7	Endgate Wheel	806131	1
8	Swivel Handle	890193	1

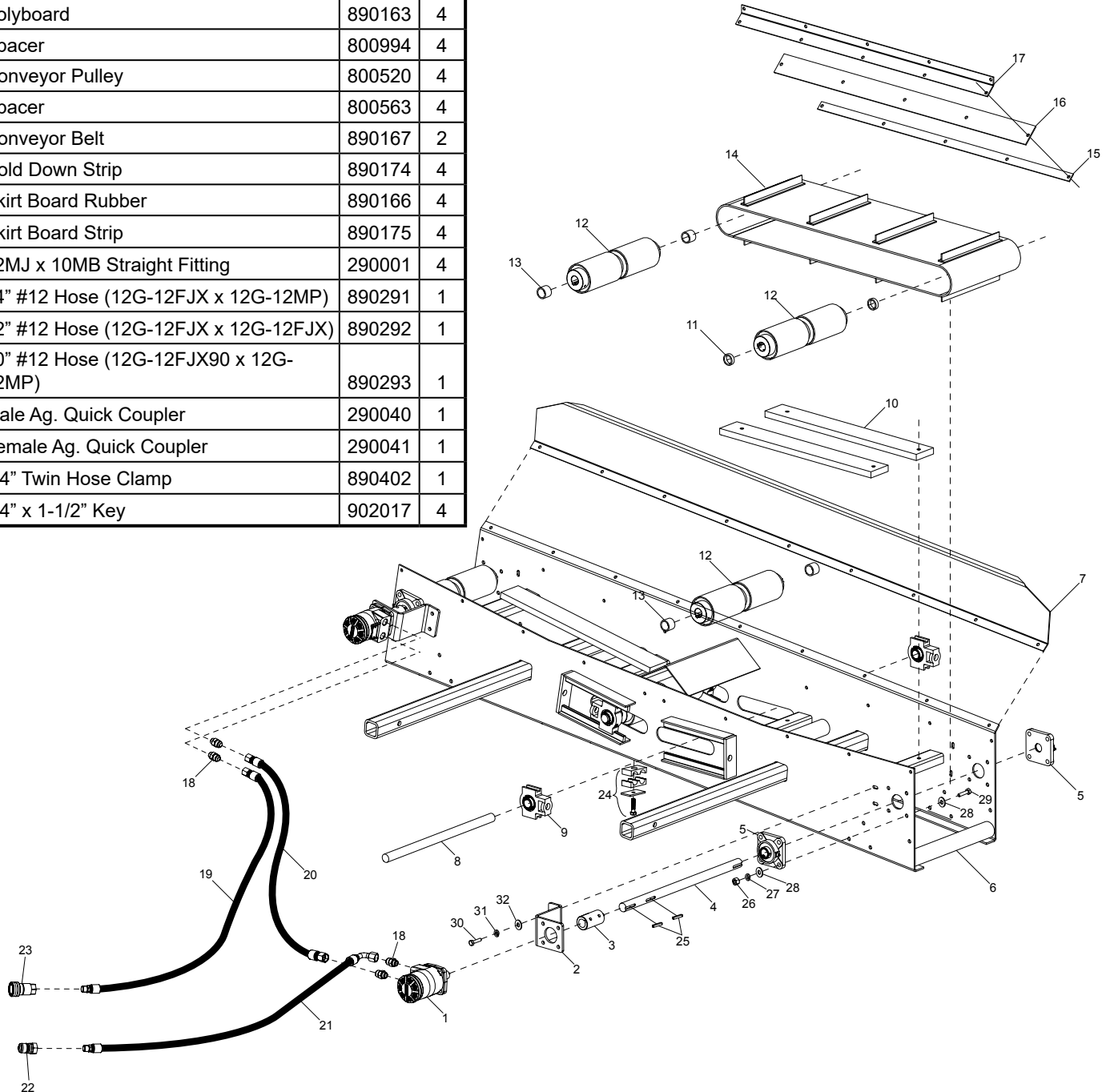
Spinner Assembly



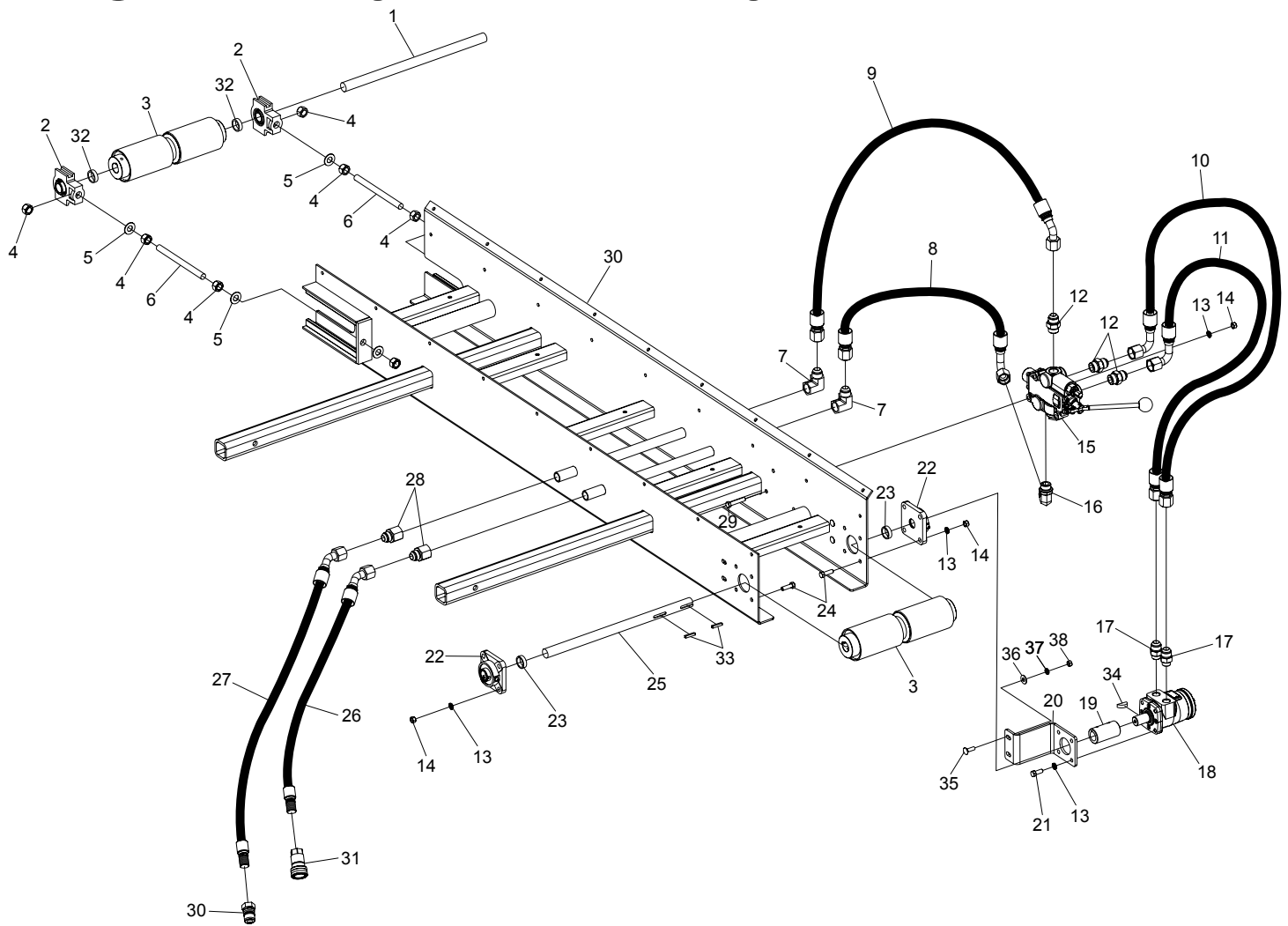
Ref#	Description	Part#	Qty
1a	Spinner Paddle, Right	830265	6
1b	Spinner Paddle, Left	830267	6
2	Carriage Bolt, 7/16 x 1	000356	12
3	Carriage Bolt, 7/16 x 1-1/2	000359	12
4	Dust Cap	830314	2
5	Spinner Disc	830309	2
6	Locknut, 7/16	000385	24
7	Tapered Bushing	505420	2
8a	Spinner Hub	830313	2
8b	Spinner Hub S/N 93756+	830629	2
9	Seal	830317	2
10	1/2" x 2-1/2" Hex Head Bolt	000460	4
11	Spinner Frame	890266	1
12	Hitch Pin	100292	1
13	1/4" Straight Fitting	290036	3
14	Straight Fitting	290065	2
15	15" Hose	890363	1
16	Hydraulic Motor	830318	2
	Seal Kit for Motor	830345	N/A
	Replacement 1" Key Shaft	830391	N/A
17	Elbow Fitting	290022	2
18	32" Hose	890362	1
19	"T" Fitting	290033	1
20	Pipe Nipple	290039	1
21	56" Hose	890364	1
22	1/4" x 3/8" x 1-1/4" Key	830390	2
23	Spinner Motor Shaft Seal	830389	2

Dual Conveyor Assembly

Ref#	Description	Part#	Qty
1	Hydraulic Motor	890164	2
2	Motor Bracket	800244	2
3	Coupler	400113	2
4	Drive Shaft	890277	2
5	Flange Bearing	700053	4
6	Conveyer Frame Weldment	890158	1
7	Side Extension	890172	1
8	Idler Shaft	800578	2
9	Take-up Bearing	806106	4
10	Polyboard	890163	4
11	Spacer	800994	4
12	Conveyor Pulley	800520	4
13	Spacer	800563	4
14	Conveyor Belt	890167	2
15	Hold Down Strip	890174	4
16	Skirt Board Rubber	890166	4
17	Skirt Board Strip	890175	4
18	12MJ x 10MB Straight Fitting	290001	4
19	84" #12 Hose (12G-12FJX x 12G-12MP)	890291	1
20	72" #12 Hose (12G-12FJX x 12G-12FJX)	890292	1
21	20" #12 Hose (12G-12FJX90 x 12G-12MP)	890293	1
22	Male Ag. Quick Coupler	290040	1
23	Female Ag. Quick Coupler	290041	1
24	3/4" Twin Hose Clamp	890402	1
25	1/4" x 1-1/2" Key	902017	4



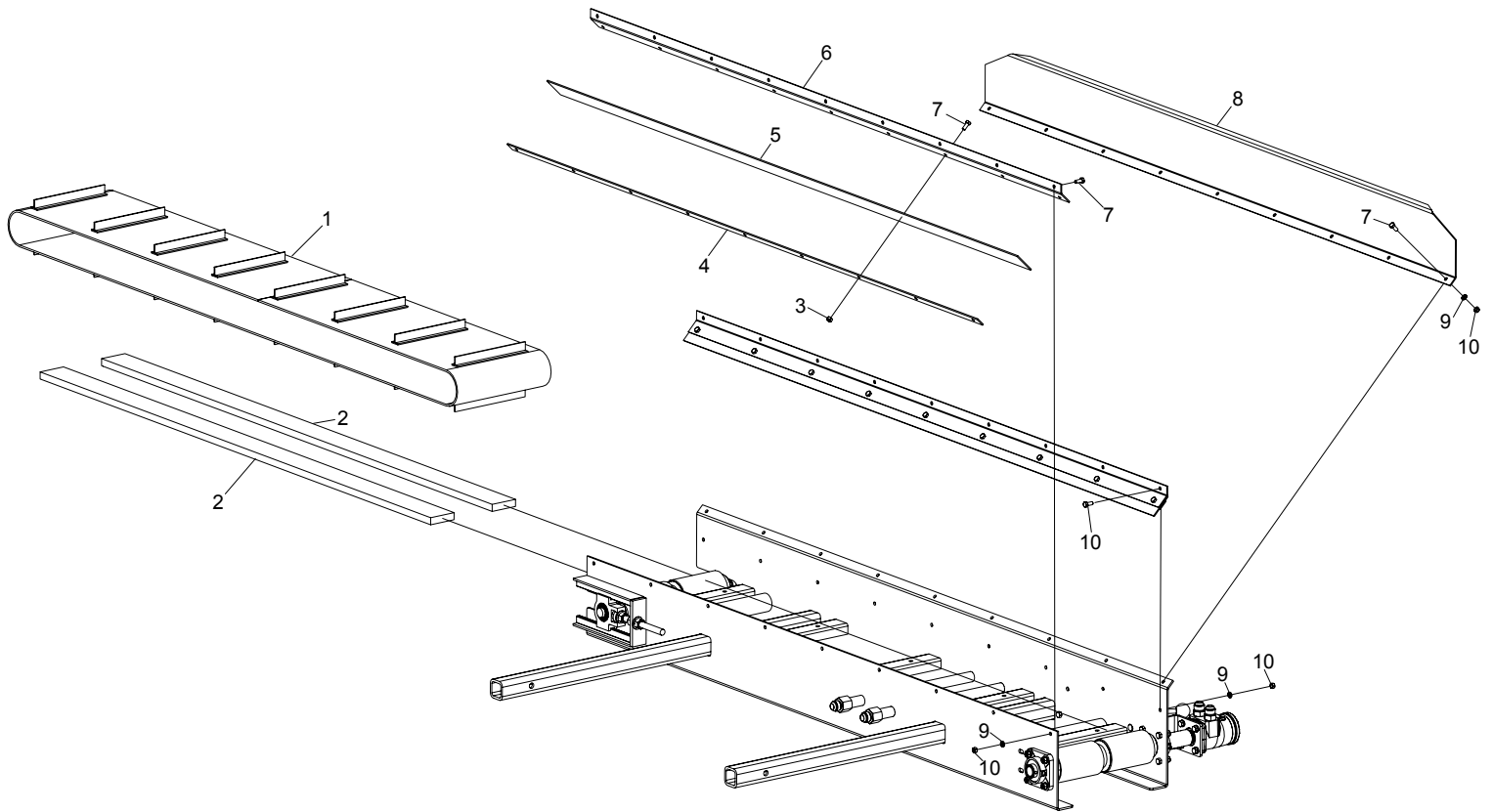
Single Conveyor Option - Hydraulics and Drive



Ref#	Description	Part#	Qty
1	1" x 18.5" Idler Shaft	800578	1
2	1" Take Up Bearing	830666	2
3	Cross Conveyor Pulley	800520	2
4	5/8" Hex Nut	000970	8
5	5/8" Flat Washer	001076	6
6	5/8-11 All Thread x 7.875	806139	2
7	90° Fitting (12 MJ x 12 FP)	290093	2
8	27" Hose (12FJX90 x 12FJX)	890948	1
9	29" Hose (12FJX45 x 12FJX)	890947	1
10	29" Hose (12FJX x 12FJX90S)	890945	1
11	21" Hose (12FJX x 12FJX90S)	890946	1
12	Straight Fitting (12 MJ x 12 MB)	290065	3
13	3/8" Lock Washer	000820	15
14	3/8" Hex Nut	000915	11
15	Motor Spool Valve	890403	1
16	90° Elbow (12 MJ x 12 MB)	290022	1
17	Straight Fitting (12 MJ x 10 MB)	290001	2
18	Hydraulic Motor (101-1011)	890164	1
19	Drive Shaft Couple	400113	1

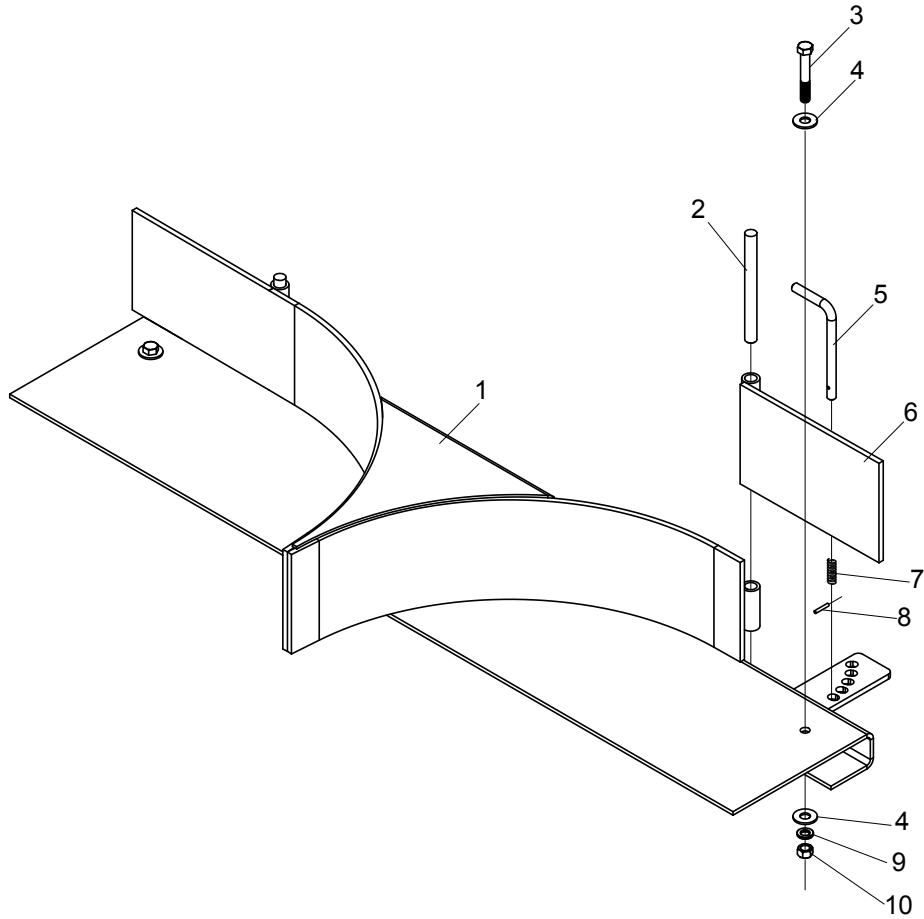
Ref#	Description	Part#	Qty
20	Motor Bracket	800244	1
21	3/8" x 1" Hex Head Bolt	000270	4
22	1" 4-Bolt Flange (UCF 205-16)	700053	2
23	.375" Conveyor Pulley Spacer	800994	2
24	3/8" x 1-1/4" Hex Head Bolt	000275	8
25	1" x 18.813 Drive Shaft	800542	1
26	26" Hose (12FJX45 x 12MP)	890944	1
27	41" Hose (12FJX45 x 12MP)	890943	1
28	Straight Fitting (12 MJ x 12 FP)	290019	2
29	3/8" x 2" Hex Head Bolt	000286	3
30	3/4" Male Ag Quick Coupler	290040	1
31	3/4" Female Ag Quick Coupler	290041	1
32	1" Conveyor Pulley Spacer	800563	2
33	1/4" x 1-1/2" Key	902017	2
34	1/2" x 1" Half Moon Key	900863	1
35	5/16" x 1" Carriage Bolt	000124	2
36	5/16" USS Flat Washer	001030	2
37	5/16" Split Lock Washer	000810	2
38	5/16" Hex Nut	000910	2

Single Conveyor Option - Flooring and Rubber



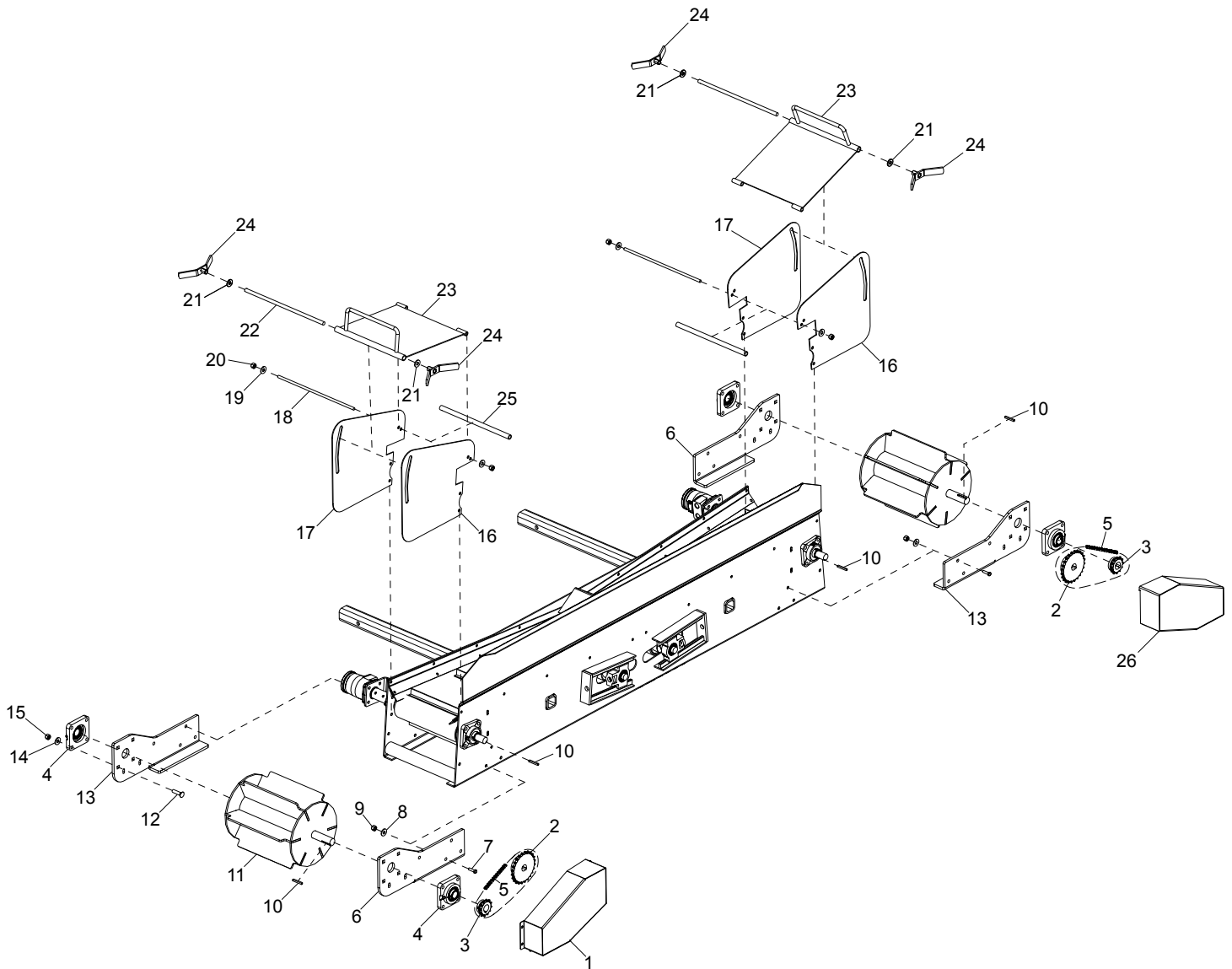
Ref#	Description	Part#	Qty
1	Single Conveyor Belt	890400	1
2	.75" x 3" x 65" Polyboard	890401	2
3	5/16"-18 Nylon Lock Nut	002999	18
4	1" x 78.25" Hold Down Strip	890399	2
5	.125" x 2.5" x 78.25" Skirtboard Rubber	890398	2
6	2.5" x 78.25" Skirtboard Strip	890396	2
7	5/16" x 3/4" Hex Head Bolt	010005	45
8	Cross Conveyor Extension Side	890172	1
9	5/16" Split Lock Washer	000810	27
10	5/16" Hex Nut	000910	27

Deflector Option



Ref#	Description	Part#	Qty
1	Deflector Frame	890179	1
2	Hinge Pin	801063	2
3	Bolt, 3/8 x 2-1/2	000300	3
4	Flat Washer, 3/8	001035	6
5	Latch Pin	806052	2
6	Flow Deflector, Left	890181	1
	Flow Deflector, Right	890180	1
7	Spring	806166	2
8	Roll Pin	000561	2
9	Lockwasher, 3/8	000820	3
10	Nut, 3/8	000915	3

Flicker Option

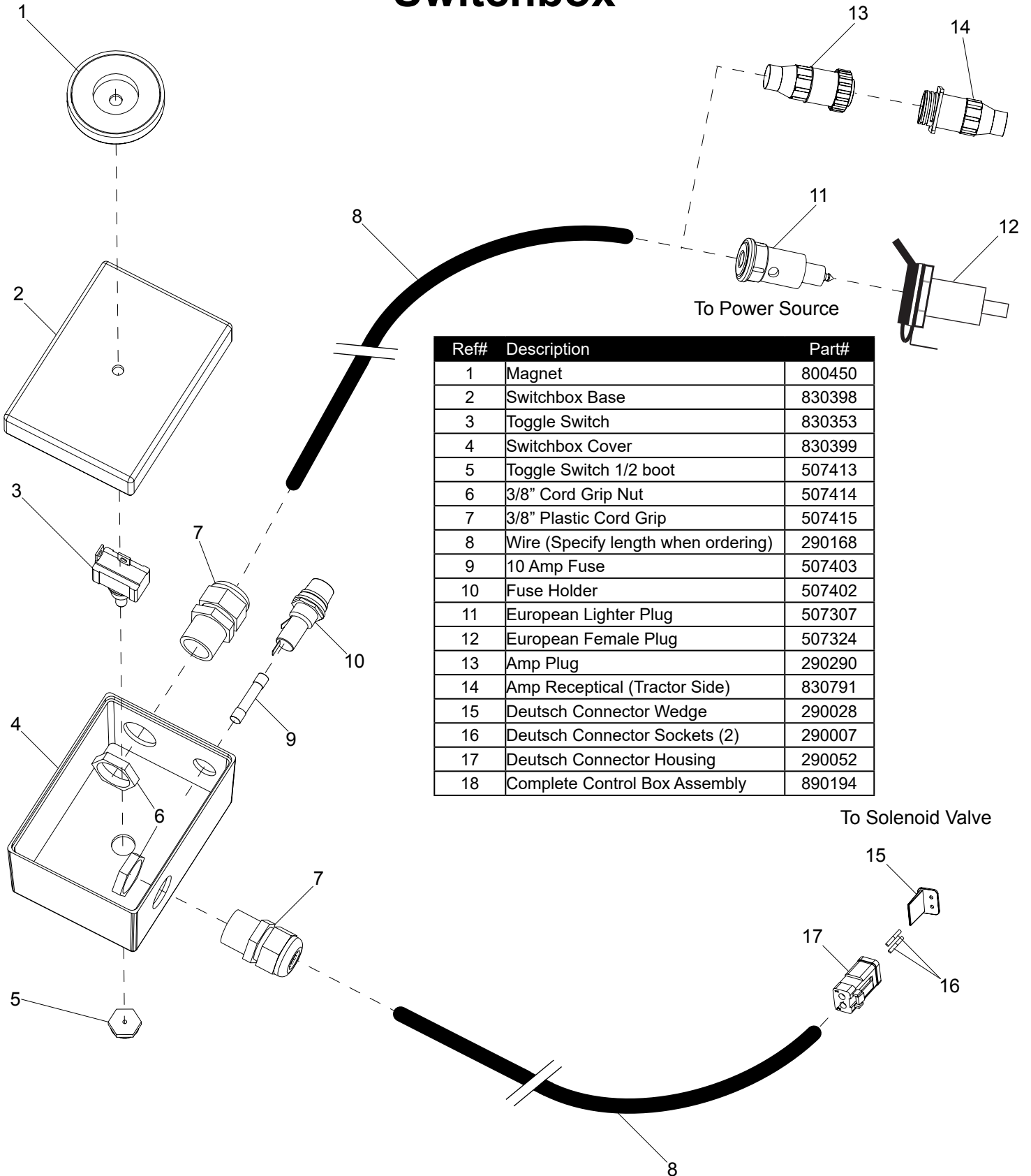


Note: See page 11 for part information on dual conveyor option.

Ref#	Description	Part#	Qty
1	Left Chain Shield Weldment	890281	1
2	Large Sprocket	830666	2
3	Small Sprocket	830665	2
4	4 Bolt 1-1/8" Flange Bearing	400104	4
5	ANSI #50 Chain	890290	2
6	Flicker Mounting Bracket	890259	2
8	3/8" Lock Washer	000820	12
9	3/8" Hex Nut	000915	12
10	1/4" x 1-1/2" Key	700161	2
11	Flicker Weldment	890254	2
12	7/16" x 1-3/4" Carriage Bolt	000363	16
13	Flicker Mounting Bracket	890257	2
14	7/16 Lock Washer	000830	16

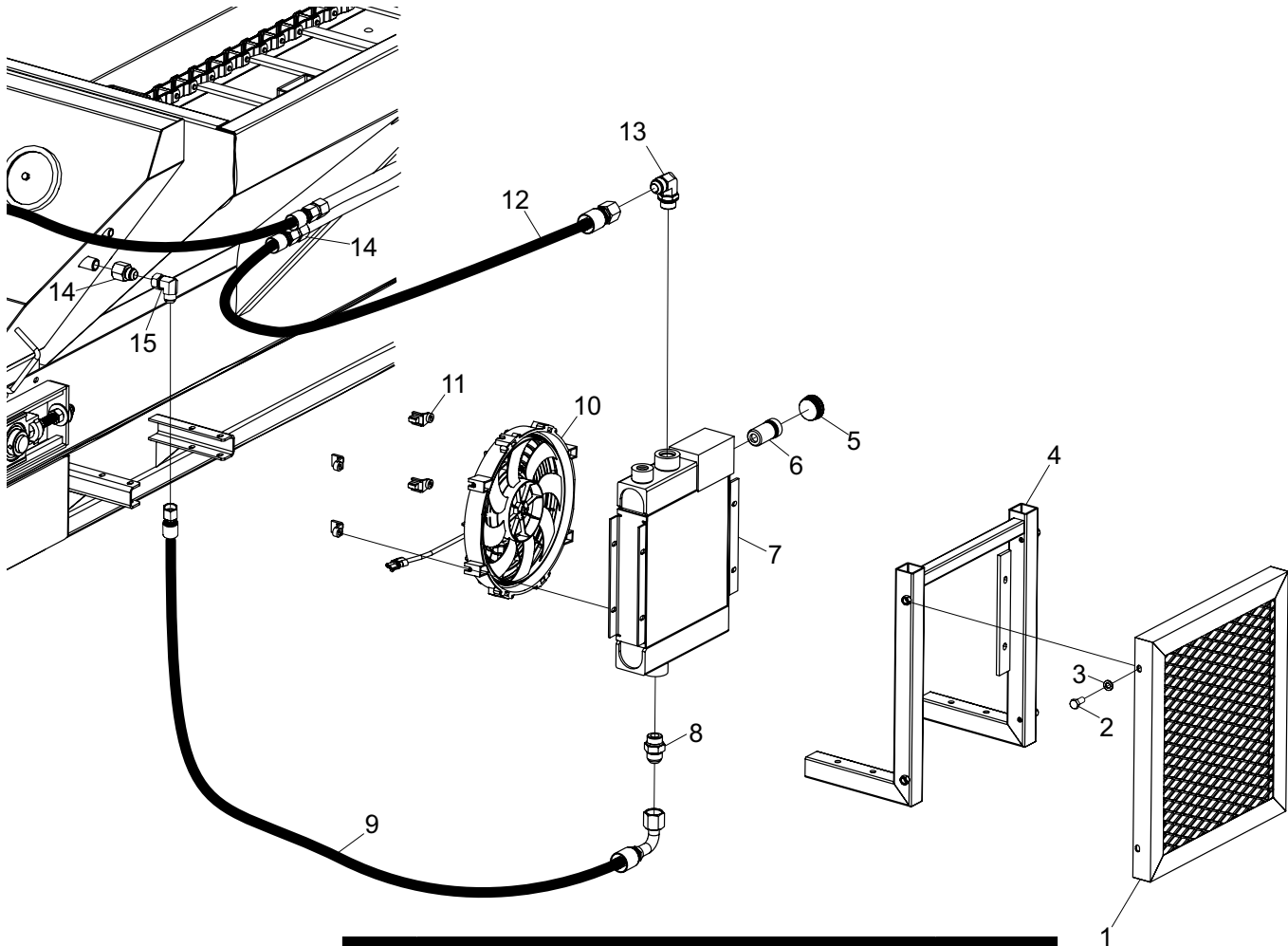
Ref#	Description	Part#	Qty
15	7/16" Hex Nut	000935	16
16	Rear Flicker Side Panel	890265	2
17	Front Flicker Side Panel	890274	2
18	3/8" Threaded Rod	890288	2
19	3/8" Flat Washer	001035	4
20	3/8" Lock Nut	003000	4
21	1/2" Flat Washer	001055	4
22	1/2" Threaded Rod	890287	2
23	Flicker Deflector Weldment	890268	2
24	Tightener Handle	890272	2
25	Flicker Spacer Pipe	890270	2
26	Right Chain Shield Weldment	890283	1

Switchbox



Ref#	Description	Part#
1	Magnet	800450
2	Switchbox Base	830398
3	Toggle Switch	830353
4	Switchbox Cover	830399
5	Toggle Switch 1/2 boot	507413
6	3/8" Cord Grip Nut	507414
7	3/8" Plastic Cord Grip	507415
8	Wire (Specify length when ordering)	290168
9	10 Amp Fuse	507403
10	Fuse Holder	507402
11	European Lighter Plug	507307
12	European Female Plug	507324
13	Amp Plug	290290
14	Amp Receptical (Tractor Side)	830791
15	Deutsch Connector Wedge	290028
16	Deutsch Connector Sockets (2)	290007
17	Deutsch Connector Housing	290052
18	Complete Control Box Assembly	890194

Oil Cooler Option



Ref#	Description	Part#
1	Cooler Grill Weldment	801166
2	5/16-18 x 3/4 Truss Head Bolt, Zinc	000210
3	5/16 Lock Washer, Zinc	000810
4	Cooler Frame Weldment	801160
5	#20 Plug	890459
6	Oil Cooler Check Valve	890462
7	Oil Cooler Core	890463
8	zStraight Fitting, #12 MJ x #12 MB	290065
9	45-1/2" Hose Assembly (12FJX90S - 12FJX)	891211
10	Oil Cooler Fan W/Shroud	890460
11	Oil Cooler Fan Mounting Bracket	890461
12	27" Hose Assembly (12FJX - 12FJX)	890357
13	90 Degree Fitting, #12 MJ x #12 MB	290022
14	Straight Fitting,- #12 MJ x #12 FP	290019
15	90 Degree Elbow,- #12 MJ x #12 FJX	290150
16	Complete Oil Cooler	890209