



# Parts Manual

## BWPRO and BWALL Bale Wrappers





## HAY BALE WRAPPER



## Customer service and technical support

If a problem occurs, do not attempt any repairs before contacting your dealer. Failure to do so may result in the warranty cancellation.

## Pequea Machine, Inc.

© All rights reserved by Pequea Machine, Inc. including the right of reproduction of this manual, in whole or in part in any form, without the explicit consent of Pequea Machine Inc..

KEEP THIS MANUAL AVAILABLE CLOSE TO YOUR CANAG EQUIPMENT,  
THIS WILL MAKE IT EASIER TO ORDER REPLACEMENT PARTS.

NOTE : When transferring or selling, it is important to forward this manual to the new owner.

The drawings, specifications and information contained in this manual are subject to changes without previous notice.



©

200 Jalyn Drive  
New Holland, PA 17557

Phone: 717-354-4343 / Fax: 717-354-8843

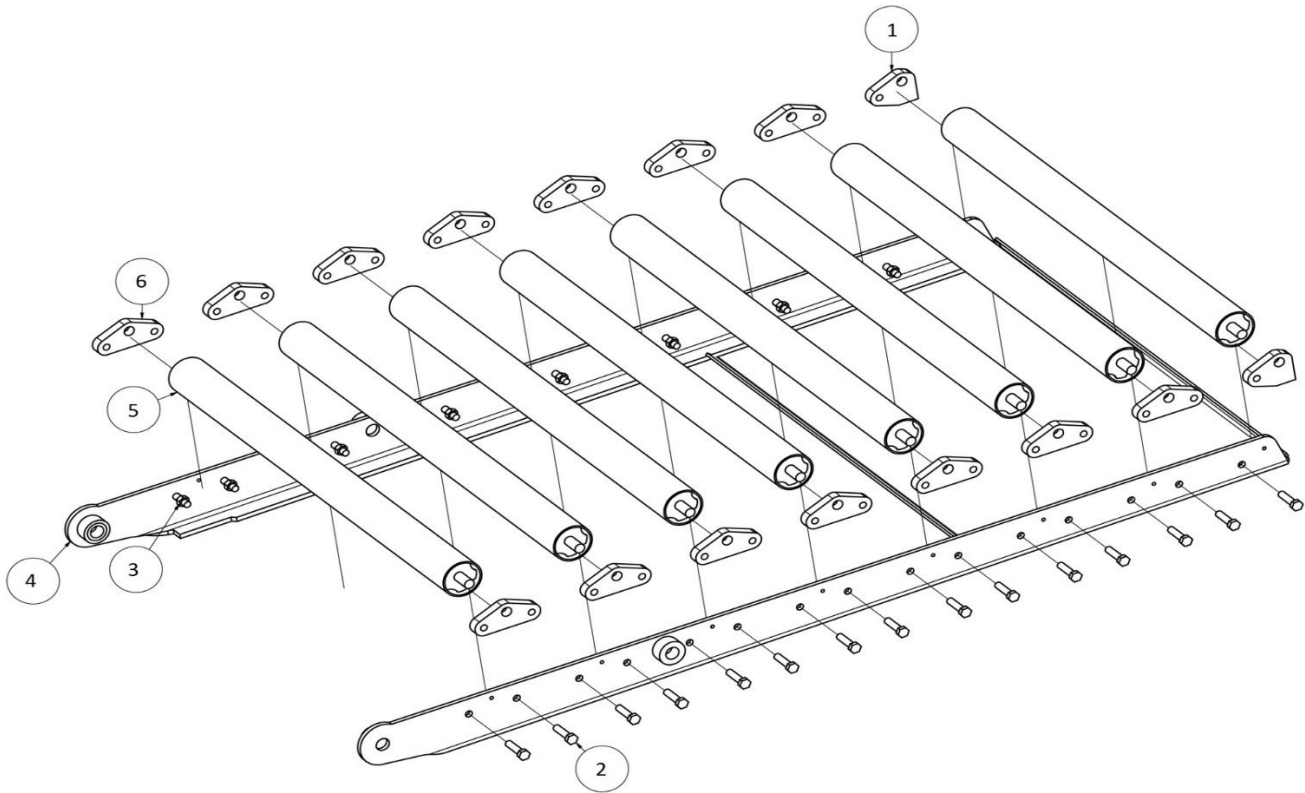
[www.pequea.com](http://www.pequea.com)



## Table of Contents

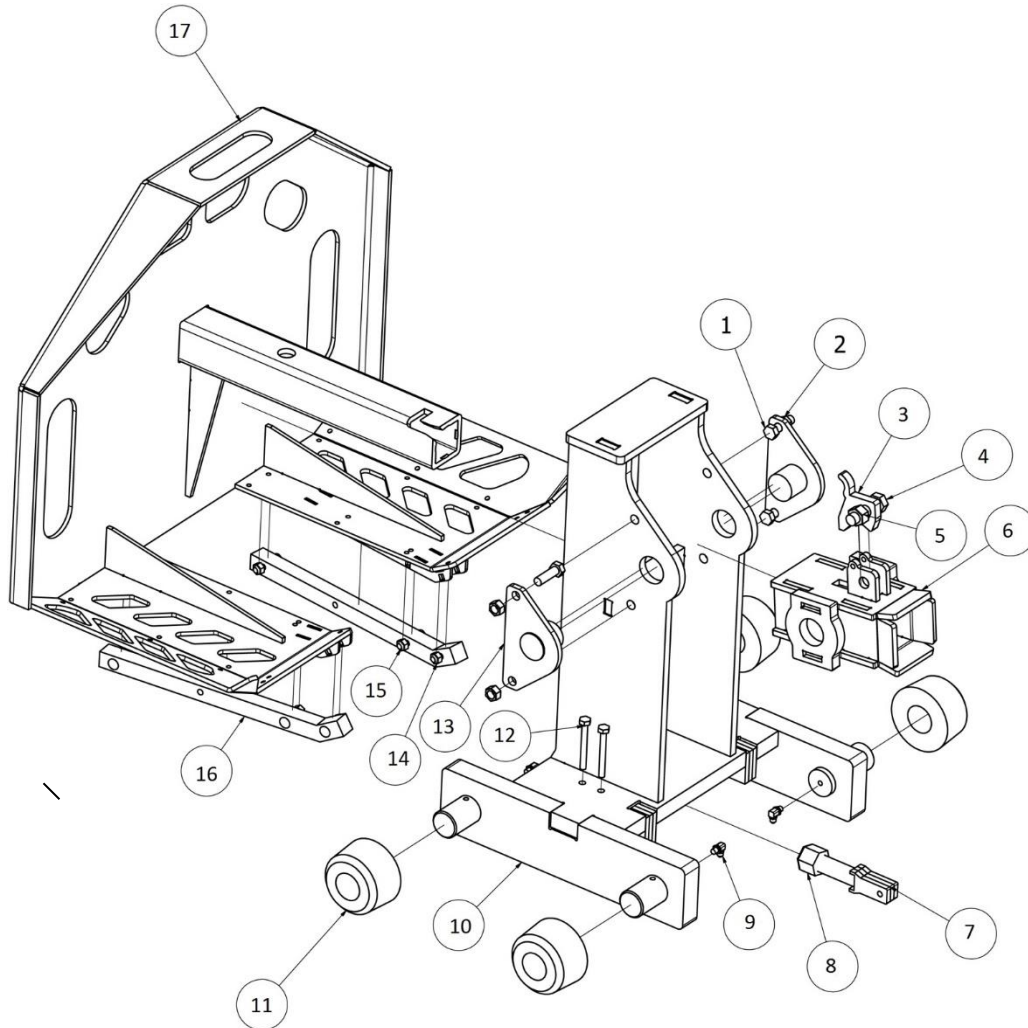
Front gate	4
Pusher	5
Structure and Frame	6
Frame and Rails	7
Hoop traction wheel	8
Side panel	9
Tensioner and hoop	10
Tensioner only	11
Under hood	12
Carriage	13
Misc. parts	14
Engine	15
Remote control	16
Joysticks operations	17
Notes	18

## Front gate



Ref#	Qty	Description	Part#
1	2	Teflon roller holder	301001-99
2	30	Front gate roller screw	301002-99
3	30	Front gate roller bolt	301003-99
4	1	Front gate plate	301004-99
5	8	Front gate roller	301005-99
6	14	Teflon roller holder	301006-99
7	2	Hydraulic cylinder	301007-99
8	2	Bale exit orange rod	301008-99
9	1	Big roller	301009-99

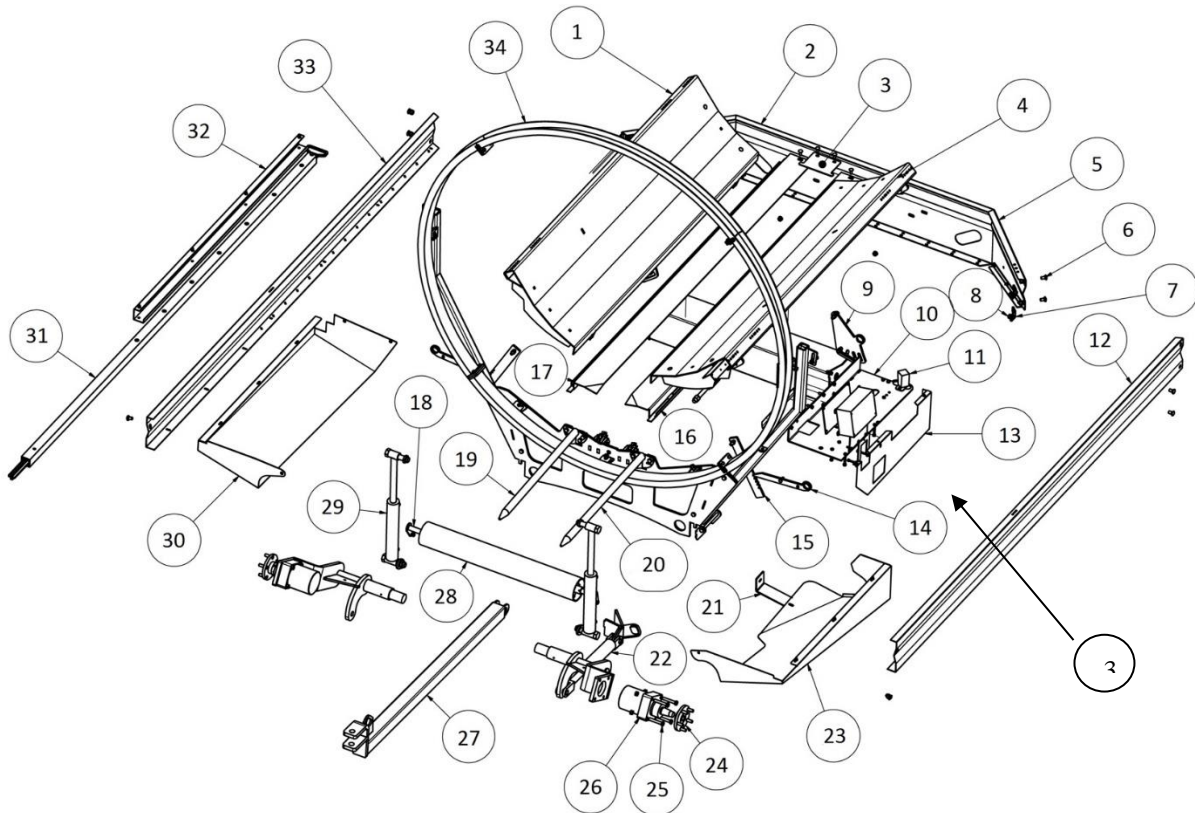
## Pusher



Ref#	Qty	Description	Part#	Ref#	Qty	Description	Part#
1	4	Screw	301010-99	10	1	Pusher mounting plate	301019-99
2	4	Nut	301011-99	11	4	Pusher roller	301020-99
3	1	Pusher trigger	301012-99	12	4	Screw	301021-99
4	1	Pusher trigger bolt	301013-99	13	2	Mounting plate	301022-99
5	1	Pusher trigger nut	301014-99	14	6	Nylon Nut	301023-99
6	1	Swivel pusher	301015-99	15	6	Screw	301024-99
7	1	Pusher rod	301016-99	16	2	Pusher UHMW teflon skate	301025-99
8	1	Pusher nut	301017-99	17	1	Pusher plate	301026-99
9	4	Grease zerk	301018-99				



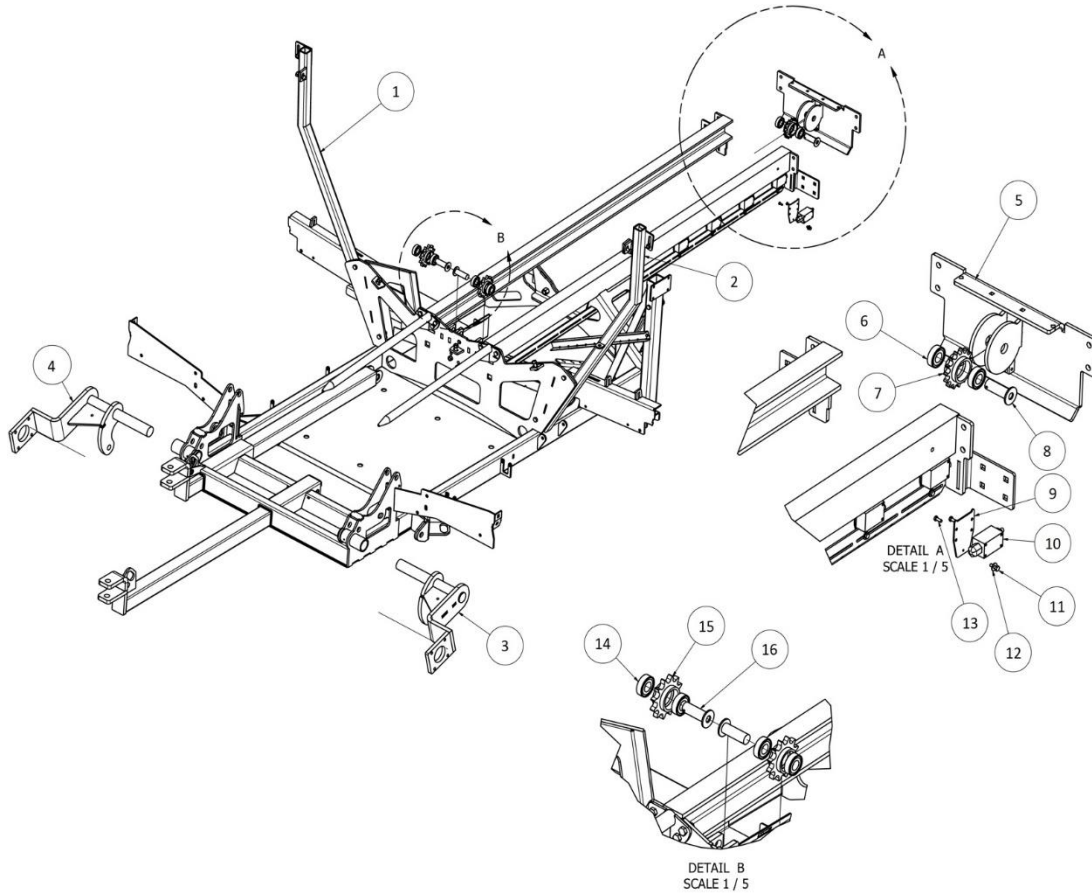
## Structure and Frame



Ref#	Qty	Description	Part#	Ref#	Qty	Description	Part#
1	1	Wrapping bed right	301027-99	19	1	Spear right	301044-99
2	1	Rear bumper	301028-99	20	1	Spear left	301045-99
3	1	Pusher flange plate	301029-99	21	2	Pan bracket	301046-99
4	1	Wrapping bed left	301030-99	22	2	CL-2006 Hydraulic cylinder	301047-99
5	1	Rear bumper	301028-99	23	1	Wrapping pan left	301048-99
6	8	Screw	301031-99	24	2	Hydraulic engine flange plate	301049-99
7	4	Bracket	301032-99	25	8	Hydraulic engine insert	301050-99
8	8	Nut	301033-99	26	2	Hydraulic 500cc engine	301051-99
9	1	Bed plate	301034-99	27	1	Towing bar	301052-99
10	1	Control panel plate A	301035-99	28	1	5 po Dia. Roller	301053-99
11	1	Mounting bracket	301036-99	29	2	CL-2008 Hydraulic cylinder	301054-99
12	1	Pusher bar side bumper left	301037-99	30	1	Wrapping pan right	301055-99
13	1	Control panel plate B	301038-99	31	1	Pusher bar	301056-99
14	1	Bed lock key	301039-99	32	1	Pusher bar holding plate	301057-99
15	2	Crank plate	301040-99	33	1	Pusher bar side bumper right	301058-99
16	1	Right rail	301041-99	34	1	Outside Ring	301059-99
17	1	Left rail	301042-99	35	1	Control box computer	301060-99
18	2	Roller Pin	301043-99	36	2	Tires and rim	301061-99



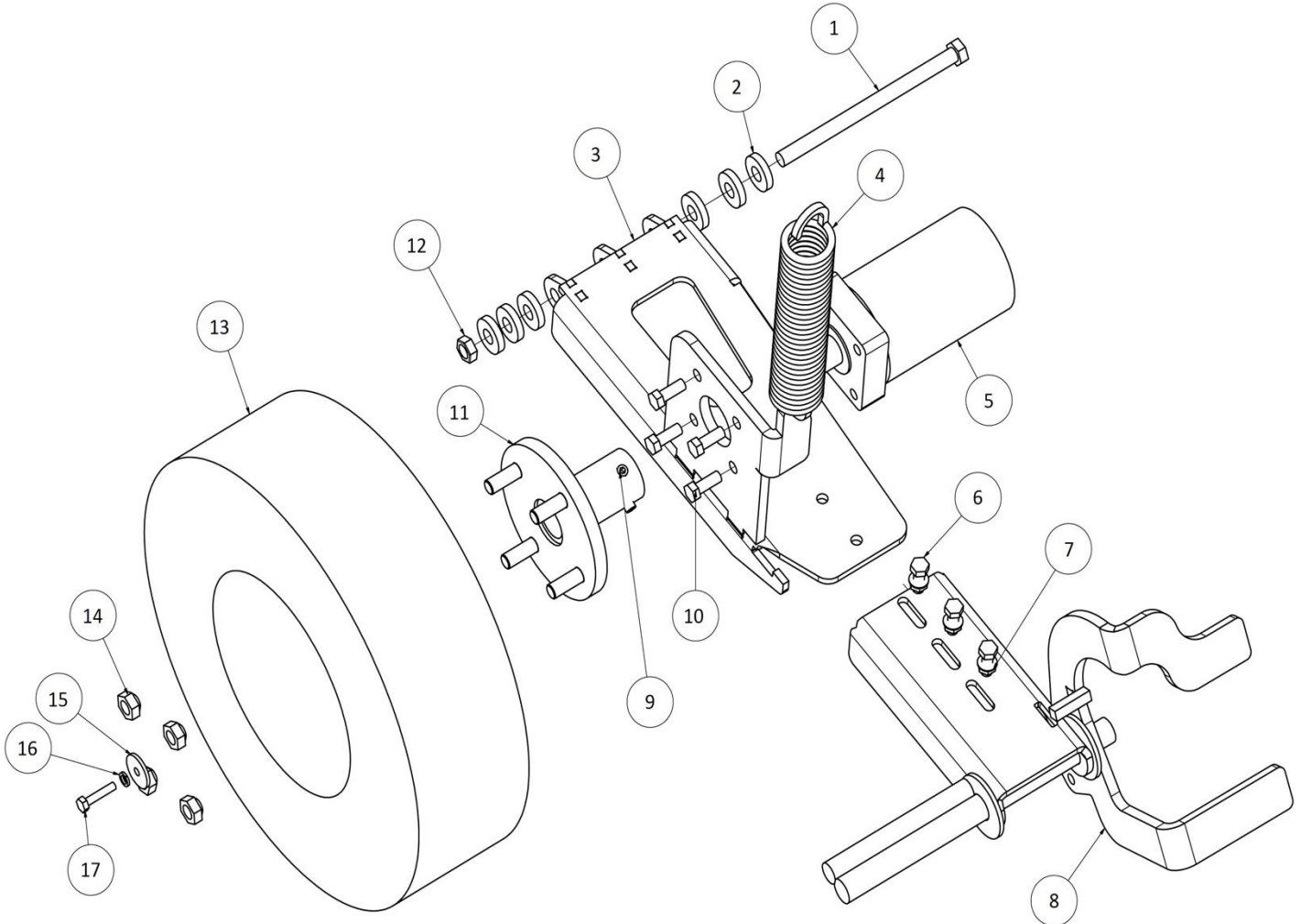
## Frame and Rail



Ref#	Qty	Description	Part#	Ref#	Qty	Description	Part#
1	1	Side hold frame bar right	301062-99	9	1	Limit switch holding plate	301070-99
2	1	Side hold frame bar left	301063-99	10	1	Limit switch	301071-99
3	1	Front wheel square flange left	301064-99	11	1	Screw	301072-99
4	1	Front wheel square flange right	301065-99	12	1	Rondelle	301073-99
5	1	Bottom gear plate	301066-99	13	4	Screw	301074-99
6	2	Rear gear bearing	301067-99	14	4	Rear gear bearing	301067-99
7	1	Rear gear	301068-99	15	2	Front gear	301075-99
8	1	Rear gear insert pin	301069-99	16	2	Rear gear insert pin	301069-99

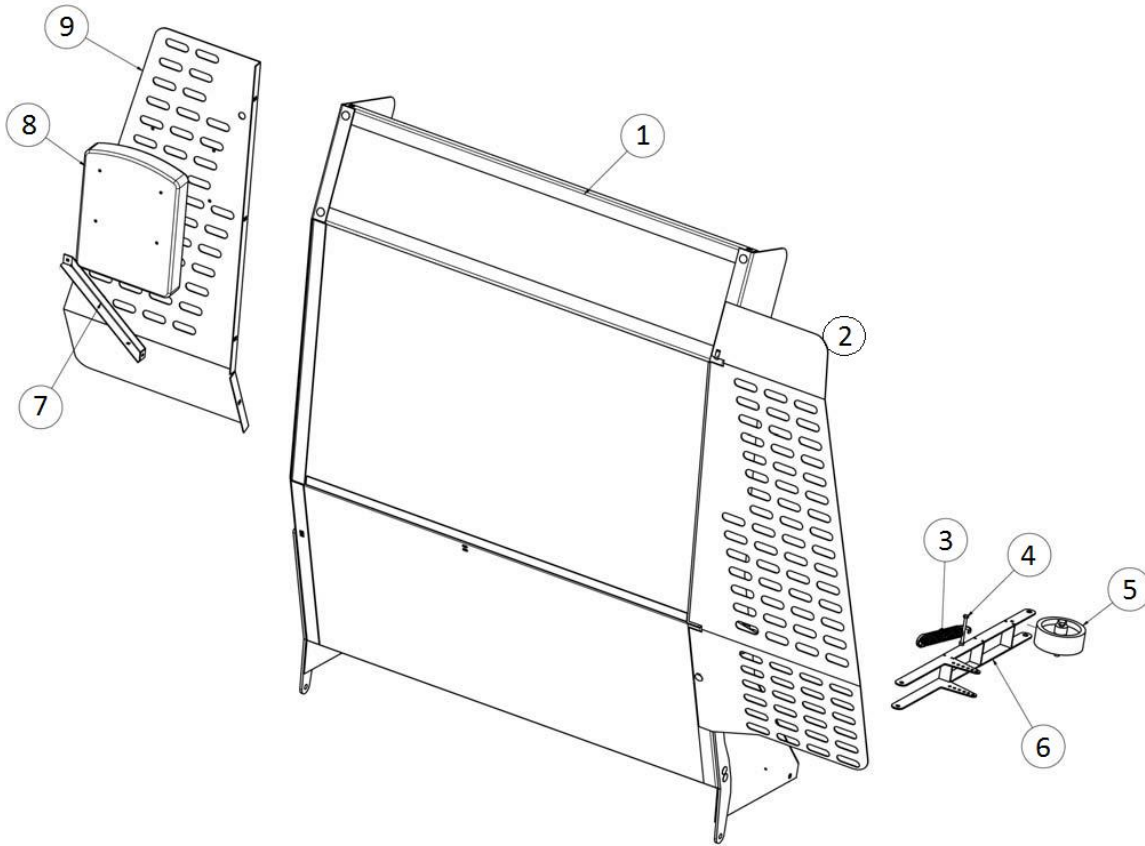


## Hoop Traction Wheel



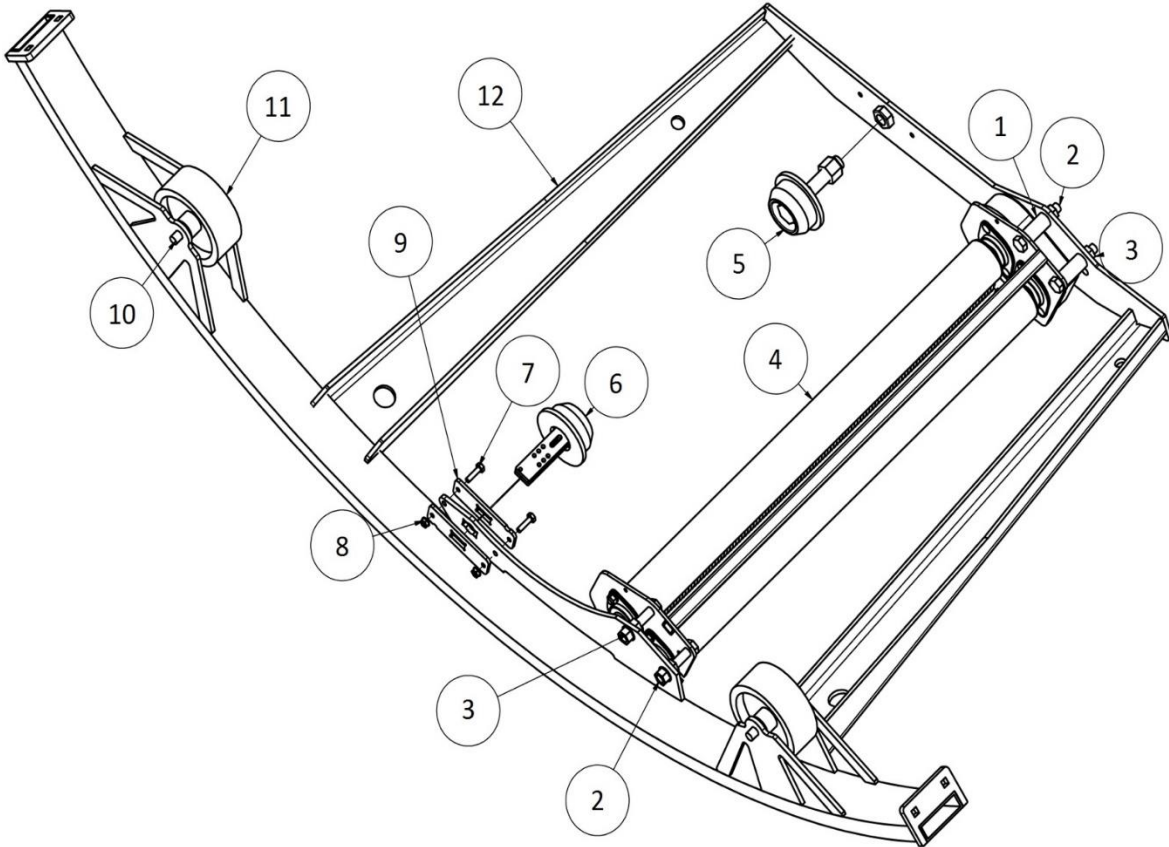
Ref#	Qty	Description	Part#	Ref#	Qty	Description	Part#
1	1	Hoop mount insert pin	301076-99	10	4	Hoop pedal bolt	301081-99
2	6	Hoop mount insert pin washer	301077-99	11	1	Hoop wheel flange	301085-99
3	1	Traction wheel frame	301078-99	12	1	Hoop mount insert pin nut	301086-99
4	1	Hoop coil spring	301079-99	13	1	Hoop wheel	301087-99
5	1	Hydraulic engine 80cc	301080-99	14	4	Nut	301088-99
6	3	Hoop pedal bolt	301081-99	15	1	Washer	301089-99
7	3	Hoop pedal nut	301082-99	16	1	Lock Washer	301090-99
8	1	Hoop stop pedal	301083-99	17	1	Bolt	301091-99
9	1	Hoop wheel Hub	301084-99				

## Side panel



Ref#	Qty	Description	Part#
1	1	Side guard	301092-99
2	1	Side panel tall security flap	301093-99
3	1	Security barrier spring	301094-99
4	1	Security barrier insert	301095-99
5	1	Security barrier wheel	301096-99
6	1	Security barrier	301097-99
7	1	Side panel flap bracket	301098-99
8	1	Plastic box	301099-99
9	1	Side panel flap	301100-99

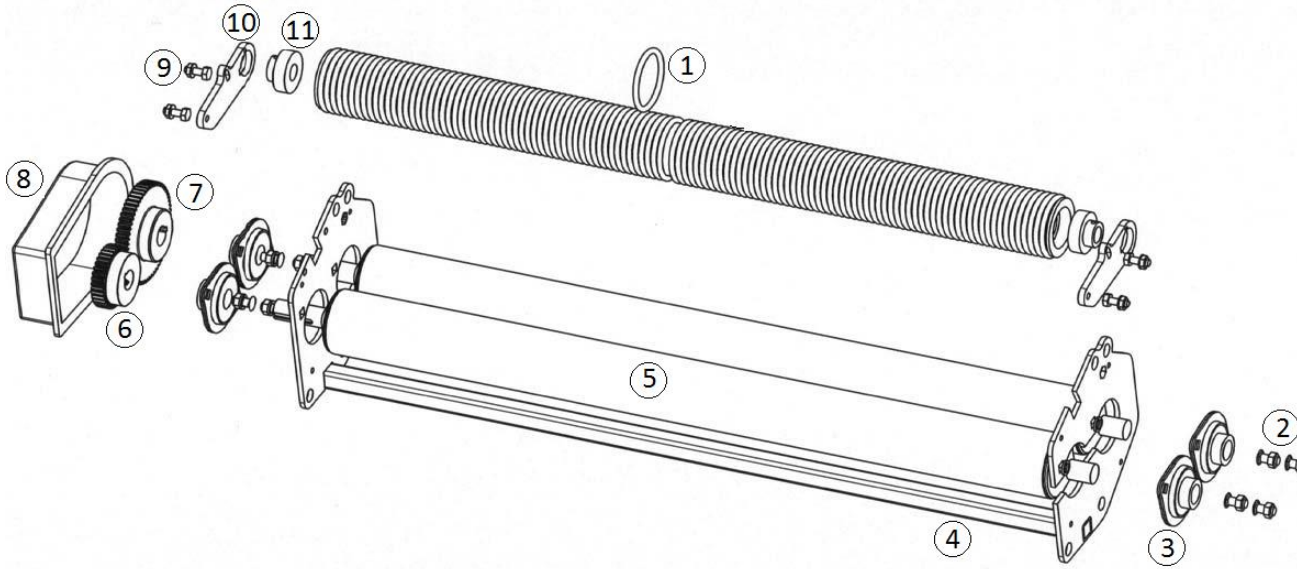
## Tensioner and Hoop



Ref#	Qty.	Description	Part#
1	2	Tensioner stretcher sleeve	301101-99
2	4	Tensioner stretcher bolt	301102-99
3	6	Tensioner stretcher nut	301103-99
4	1	Full tensioner assembly	301104-99
5	2	Back tensioner alum. plastic holder	301105-99
6	2	Front tensioner alum. Plastic holder	301106-99
7	2	Tensioner plastic holder plate bolt	301107-99
8	2	Tensioner plastic holder plate nut	301108-99
9	2	Tensioner plastic holder plate	301109-99
10	2	Tensioner teflon roller insert pin	301110-99
11	2	Tensioner teflon roller	301111-99
12	1	Tensioner mounting arm	301112-99
13	1	Plastic watch Tivar rod ¼" dia. X 12"	301113-99

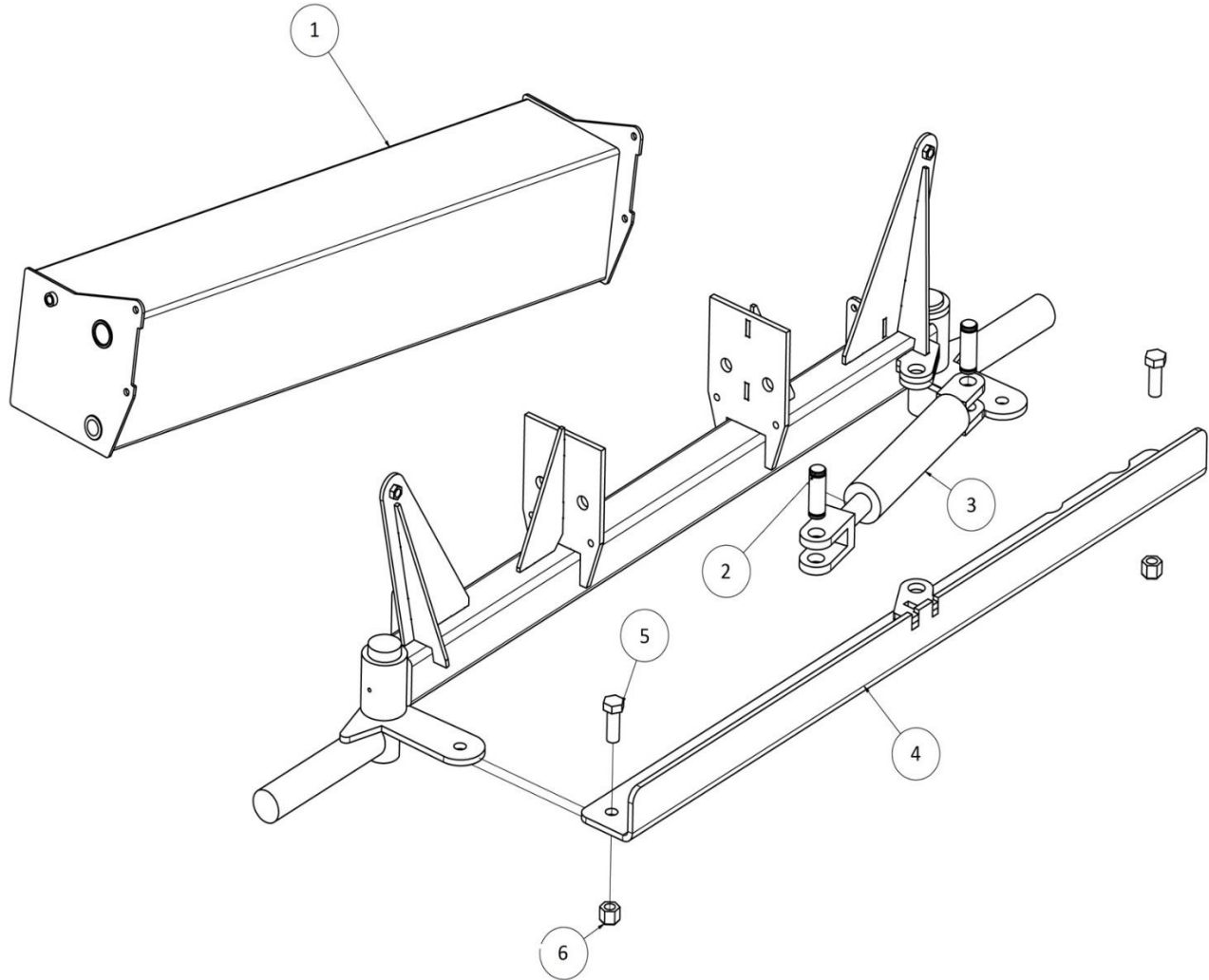


## Tensioner only



Ref#	Qty.	Description	Part#
1	120	O-ring	301114-99
2	8	Alum. tensioner housing nut	301115-99
3	4	Alum. tensioner top bearing	301116-99
4	1	Alum. tensioner housing	301117-99
5	2	Alum. tensioner	301118-99
6	1	Low gear tensioner	301119-99
7	1	Top gear tensioner	301120-99
8	1	Gear box cover	301121-99
9	4	Rubber tensioner adj. bracket nuts / bolts	301122-99
10	2	tensioner adj. bracket	301123-99
11	2	Tensioner bearing	301124-99

## Under Hood

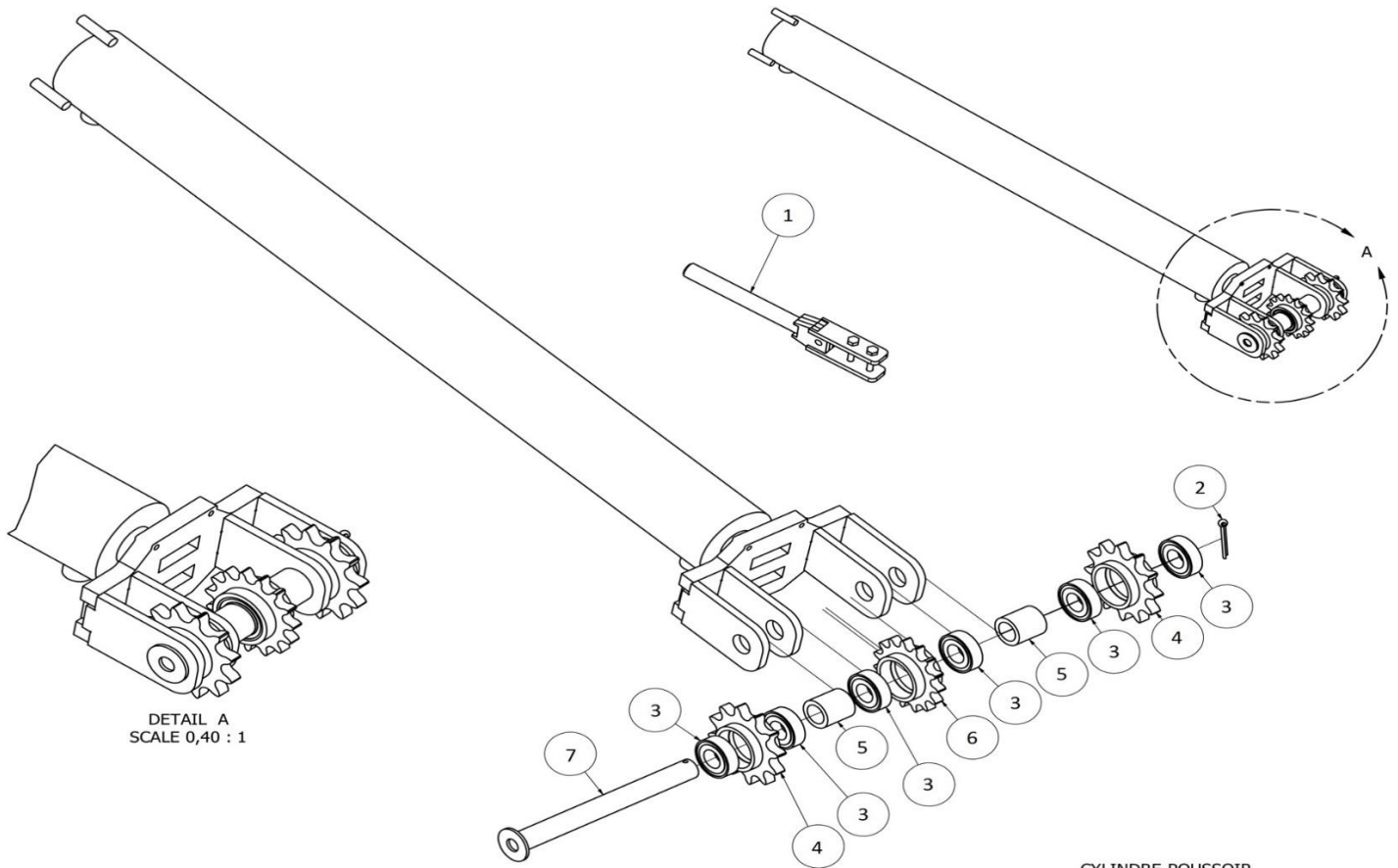


RESERVOIR

C

Ref#	Qty	Description	Part#
1	1	Hydraulic reservoir	301125-99
2	2	Steering hydraulic cylinder pin	301126-99
3	1	Steering hydraulic cylinder	301127-99
4	1	Backbone square channel	301128-99
5	2	Backbone square channel bolt	301129-99
6	2	Backbone square channel nut	301130-99

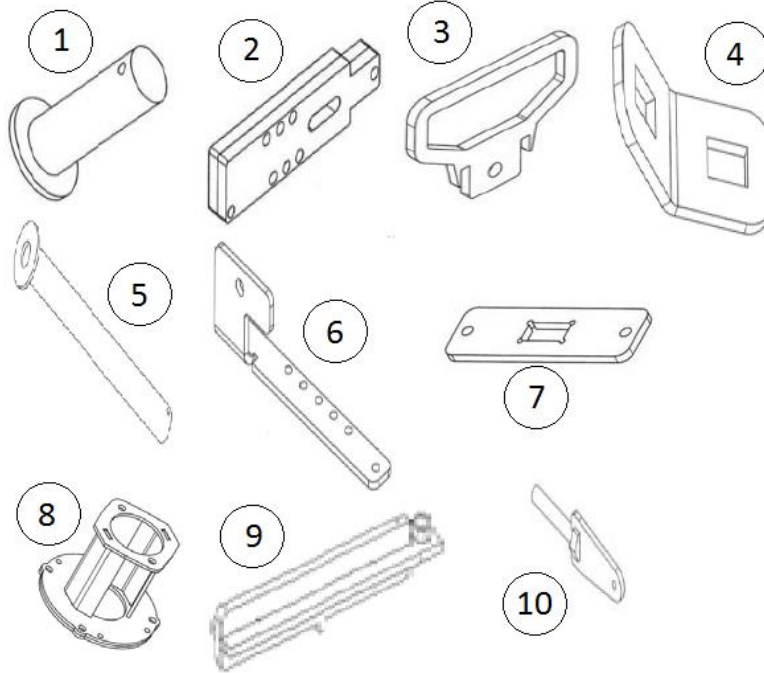
## Carriage



Ref#	Qty	Description	Part#
1	1	Chain puller	301131-99
2	1	Set pin cr	301132-99
3	6	Carriage bearing	301133-99
4	2	Carriage gear	301134-99
5	2	Carriage gear sleeve	301135-99
6	1	Carriage gear B	301136-99
7	1	Carriage long pin	301137-99



## Misc. Parts



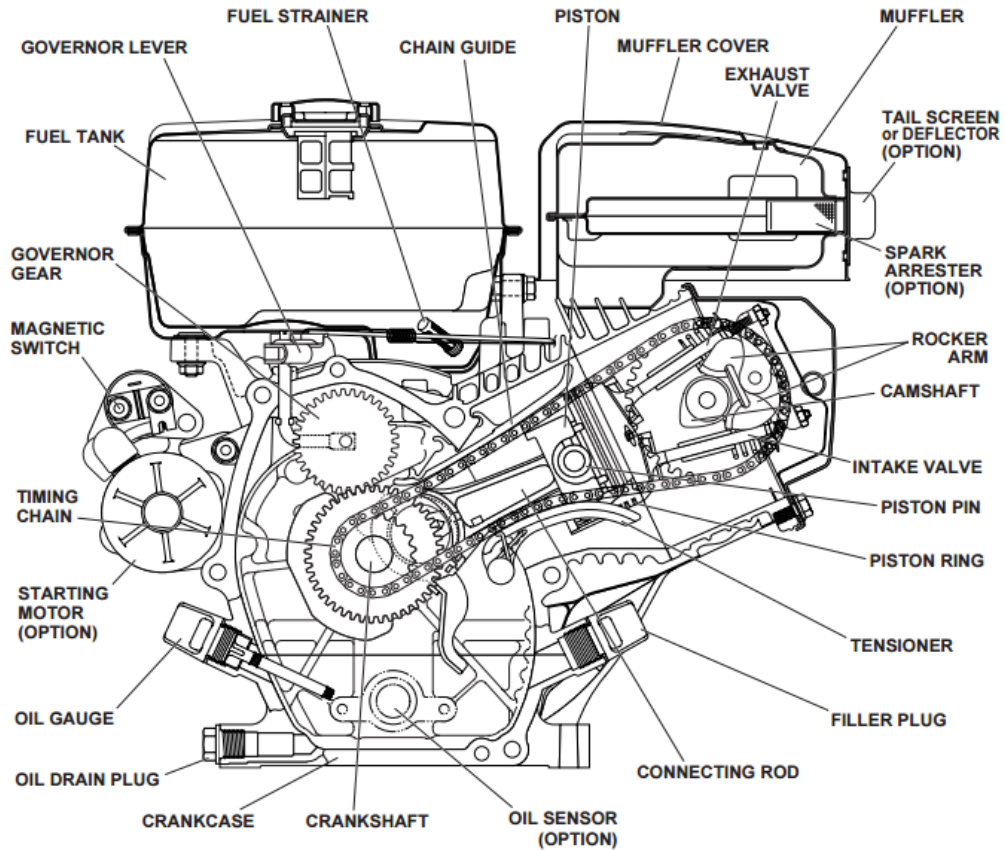
Ref#	Qty	Description	Part#
1	3	Tow bar pin	301138-99
2	2	Tensioner plastic adjustment plate	301139-99
3	1	Pusher bar handle	301140-99
4	4	Bumper insert	301141-99
5	1	Throttle bracket	301142-99
6	1	Square channel bracket	301143-99
7	4	Side insert	301144-99
8	1	Bell housing	301145-99
9	1	Pusher bar engagement nipple pin	301146-99
10	1	Throttle pin	301147-99
11	2	Chain link 60 & 80	301148-99





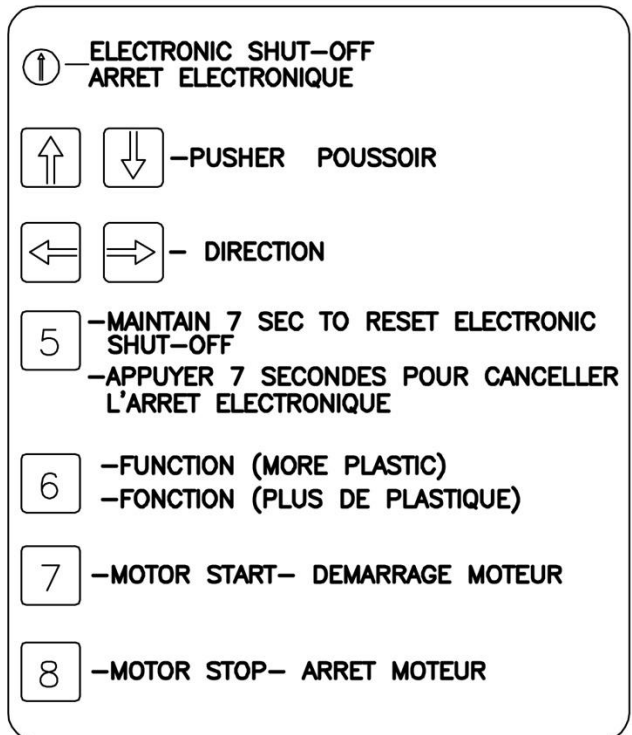
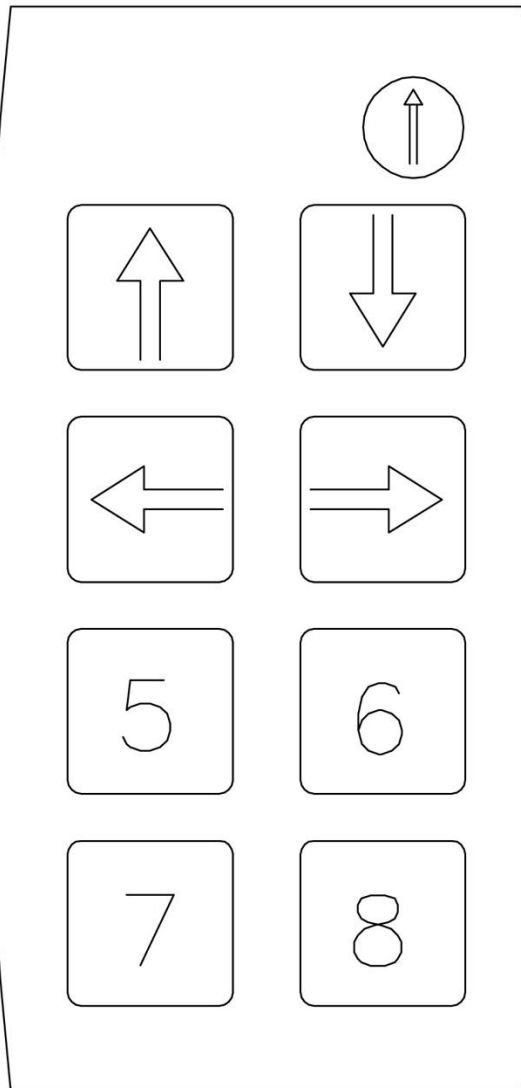
## Engine

Cross sectional view – along the shaft



Ref#	Qty	Description	Part#
1	1	Complete Subaru engine 14hp	301149-99
2	1	Carburetor needle	301150-99
3	1	O-ring	301151-99
4	1	Air filter	301152-99
5	1	14 HP motor crank	301153-99

## Remote control



## Manual Controls

Ajustement de pression du frein d'enrobage

Wrapping brake pressure adjustment

Cadran à pression du frein d'enrobage

Wrapping brake pressure gauge



1

2

3

4

5

- 1: Moving
- 2: Up and down
- 3: Front gate
- 4: Steering
- 5: Pusher