

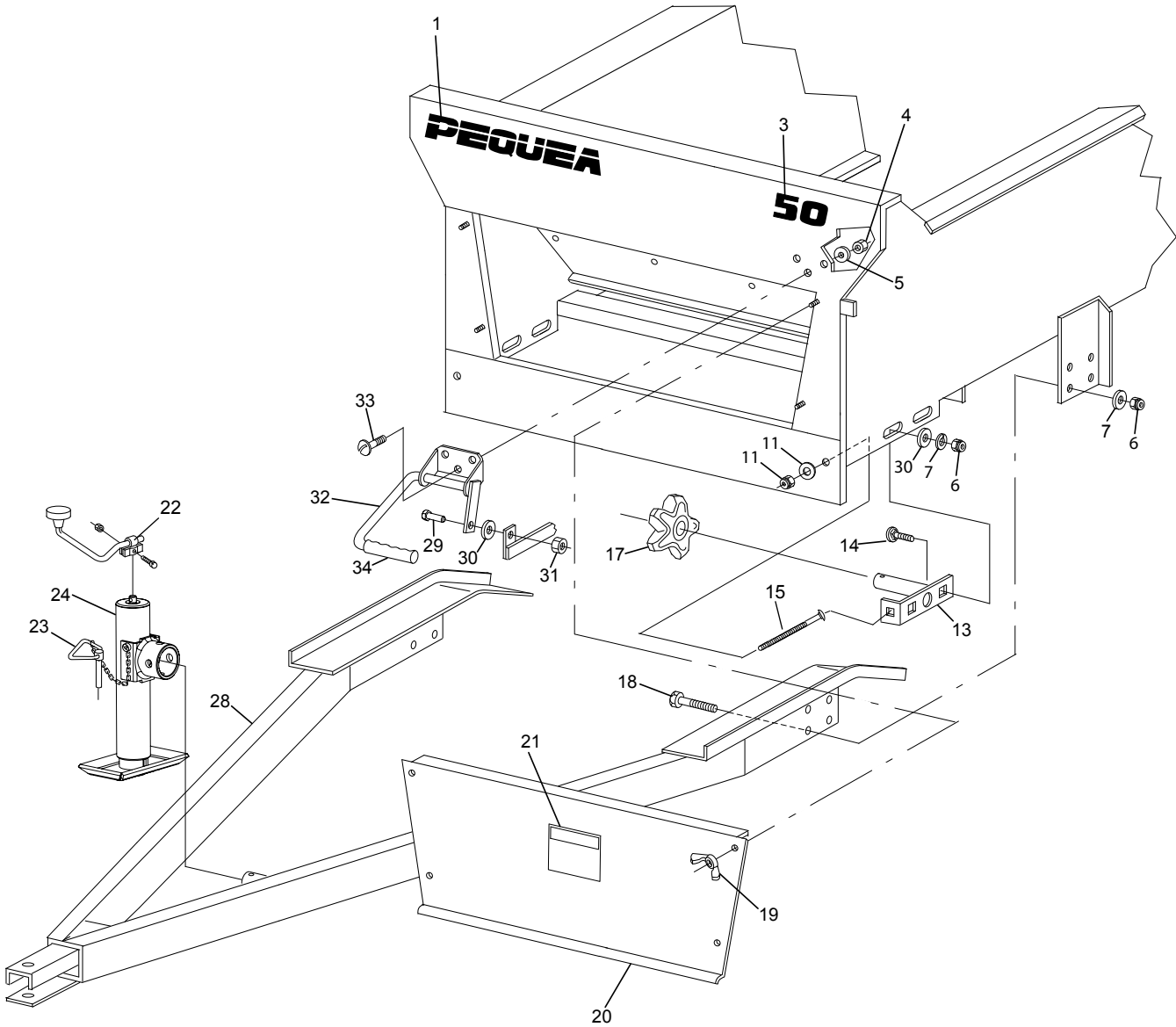


50G Manure Spreader

Illustrated Parts Breakdown

Page 1	Front End
Page 2	Left Rear
Page 4	Right Rear S/N -94707
Page 5	Right Rear S/N 94707+
Page 6	Floor

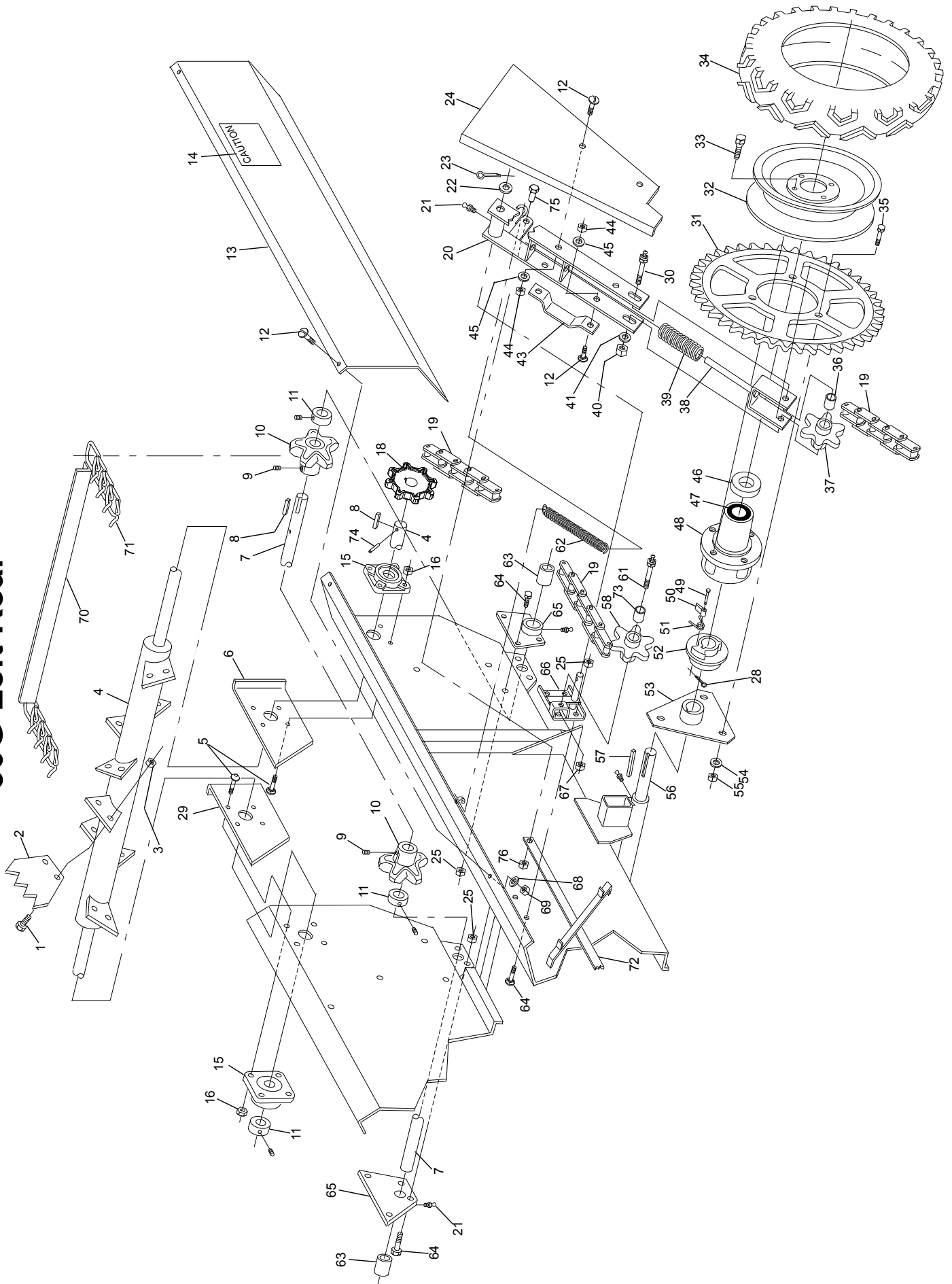
50G Front



Ref #	Description	Part#
1	50G Decal Kit	400065
4	Nut, 5/16	000910
5	Lock Washer, 5/16	000810
6	Nut, 1/2	000940
7	Lock Washer, 1/2	000840
11	Locknut, 3/8	003000
13	Web Shaft, Front	401079
14	Bolt, 1/2 x 1	000155
15	Carriage Bolt, 3/8 x 7	000140
17	Web Sprocket, Front	400098
18	Bolt, 1/2 x 1-1/4	000420
19	Wing Nut, 1/4	000905

Ref #	Description	Part#
20	Front Lid	400095
21	Warning Decal	400178
22	Jack Handle	500010
23	Pin & Chain	500012
24	Complete Jack	401295
28	Hitch Assembly	400152
29	Bolt, 1/2 x 1-1/4"	000420
30	1/2" SAE Flat Washer	001061
31	Locknut, 1/2	000950
32	Drive Engage Handle	401525
33	Machine Screw, 5/16 x 3/4	000210
34	Handle Grip	401245
35	3/8" USS Flat Washer	

50G Left Rear

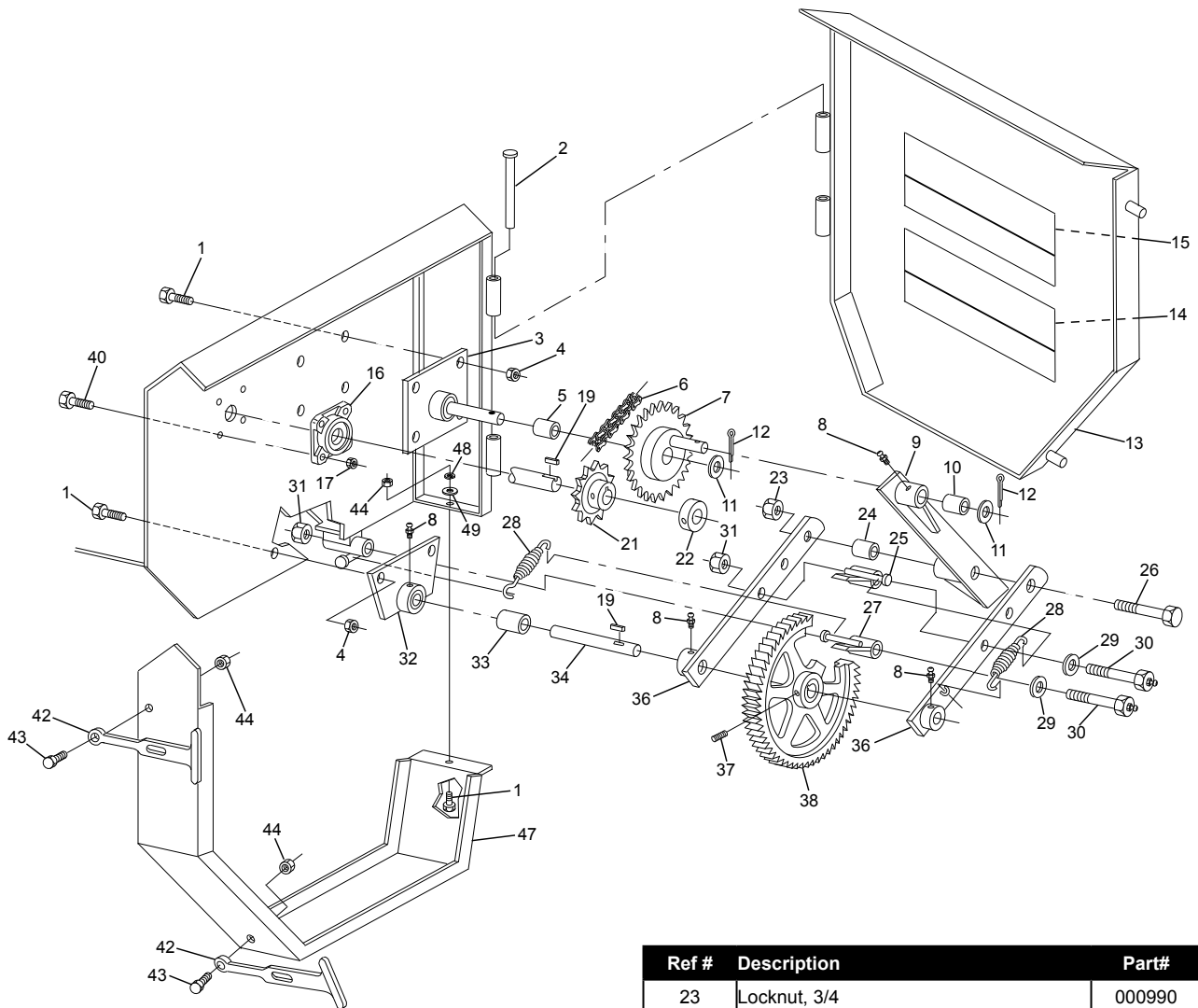


50G Left Rear

Ref #	Description	Part#
1	Bolt, 3/8 x 7/8	000250
2a	Beater Paddle, Left	401470
2b	Beater Paddle, Right	401471
3	Nut, 3/8	000915
4	Beater Assembly	401344
5	Bolt, 7/16 x 1-1/2	000360
6	Bearing Bracket, Left	400182
7	Web Shaft	400059
8	Key, 1/4 x 1/4 x 1	400114
9	Set Screw	001150
10	Web Sprocket, Rear	400108
11	Shaft Collar	400144
12	5/16 x 3/4 Machine Screw	000210
13	Lifter Arm Shield	400905
14	Caution Decal	400179
15	Beater Bearing	400104
16	Nut, 7/16	000935
18	Beater Sprocket	401025
19	Drive Chain	401033
20	Lifter Arm Complete	401067
21	Grease Fitting	400118
22	3/4 Machinery Bushing	400146
23	Cotter Pin, 3/16 x 1-1/4	400145
24	Lifter Arm Chain Shield	400910
25	Nut, 3/8	000915
26	Lock Washer, 3/8	000820
28	Cotter Pin, 5/32 x 1	100329
29	Bearing Bracket, Right	400183
30	Zerk Bolt Assembly	400364
31	41 Tooth Sprocket	400390
32	15 x 5 x 4-Bolt Rim	700187
33	Lug Bolt	401497
34	Traction Tire	401024
35	Bolt, 1/2 x 1-3/4	000445
36	Bushing, Lifter Arm	401109
37	Idler Sprocket	400241
38	Tightener Sprocket Bracket	400237
39	Tightener Spring	400242
40	Nut, 1/2	000940

Ref #	Description	Part#
41	Lock Washer, 1/2	000840
42	Bolt, 3/8 x 7/8	000250
43	Guide Bracket	400235
44	Nut, 5/16	000910
45	Lock Washer, 5/16	000810
46	Shaft Collar	700285
47	Bushing, Hub	401007
48	Outer Hub	401005
49	Clevis Pin	401028
50a	Dawg, Left	401327
50b	Dawg, Right	401009
51a	Hub Dawg Spring, Left	401034
51b	Hub Dawg Spring, Right	401027
52	Backing Hub	401008
53	Drive Sprocket Hub	401030
54	Lock Washer, 1/2	000840
55	Nut, 1/2	000940
56	Axle Shaft	401004
57	Key, 1/4 x 1/4 x 2	400587
58	Idler Sprocket	400241
60	Lock Washer, 1/2	000840
61	Zerk Bolt Assembly	401022
62	Lifter Arm Spring	400404
63	Web Bushing	400109
64	Bolt, 3/8 x 7/8	000250
65	Web Bearing	400164
66	Lifter Arm Pivot Assembly	400234
67	Nut, 1/2	000940
68	Lock Washer, 5/16	000810
69	Nut, 5/16	000910
70	Web Slat	400163
71	Web Link, 11mm	400086
*	Web Link, 9mm	401184
72	Lifter Arm Linkage	400899
73	Bushing	400258
74	1/4" x 1-3/4" Roll Pin, Zinc Plated	500187
75	1/2" x 1" Hex Head Bolt	000405
76	1/2-13 Nylon Lock Jam Nut	000752
*	Changed to 9mm link #401184 in 04/2004	

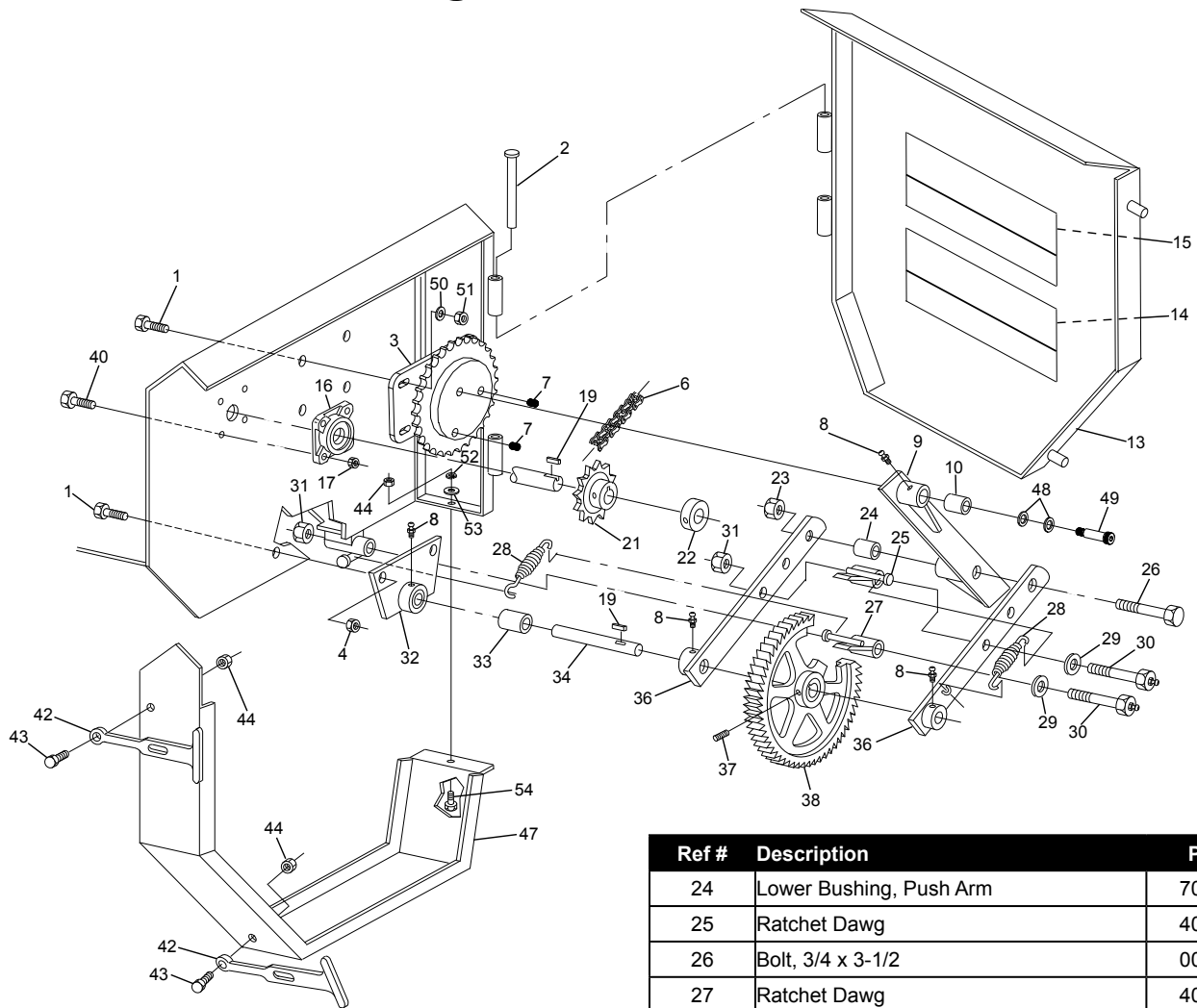
50G Right Rear S/N -94707



Ref #	Description	Part#
1	5/16" x 1" Carriage Bolt	000250
2	Hinge Pin, Ratchet Shield	401523
3	Reduction Box Assembly	400166
4	Nut, 3/8	000915
5	Reduction Sprocket Bushing	400102
6	Reduction Chain	400106
7	Reduction Sprocket	400173
8	Grease Fitting	400117
9	Crank Arm Assembly	400169
10	Upper Bushing, Push Arm	700080
11	3/4" Machinery Bushing	400146
12	Cotter Pin, 3/16 x 1-1/4	400145
13	Ratchet Shield	400159
14	Caution Decal	400179
15	Warning Decal	400178
16	Beater Bearing	400104
17	Nut, 7/16	000935
19	Key, 1/4 x 1/4 x 1-1/4	001110
21	Beater Sprocket	400105
22	Shaft Collar, 1/18	400144

Ref #	Description	Part#
23	Locknut, 3/4	000990
24	Lower Bushing, Push Arm	700080
25	Ratchet Dawg	400170
26	Bolt, 3/4 x 3-1/2	000730
27	Ratchet Dawg	400889
28	Dawg Spring	400116
29	Flat Washer, 1/2	001055
30	Zerk Bolt	400364
31	Locknut, 1/2	000950
32	Web Bearing	400164
33	Web Bushing	400109
34	Web Shaft	400059
36	Control Arm	400888
37	Set Screw, 3/8 x 7/8	003878
38	Ratchet Wheel	400099
40	Bolt, 7/16 x 1-1/2	000360
42	Rubber T-Handle	400092
43	Machine Screw, 5/16 x 3/4	000210
44	Nut, 5/16	000910
47	Inner Ratchet Guard	400171
48	5/16" Lock Washer	000810
49	5/16" USS Flat Washer	001030

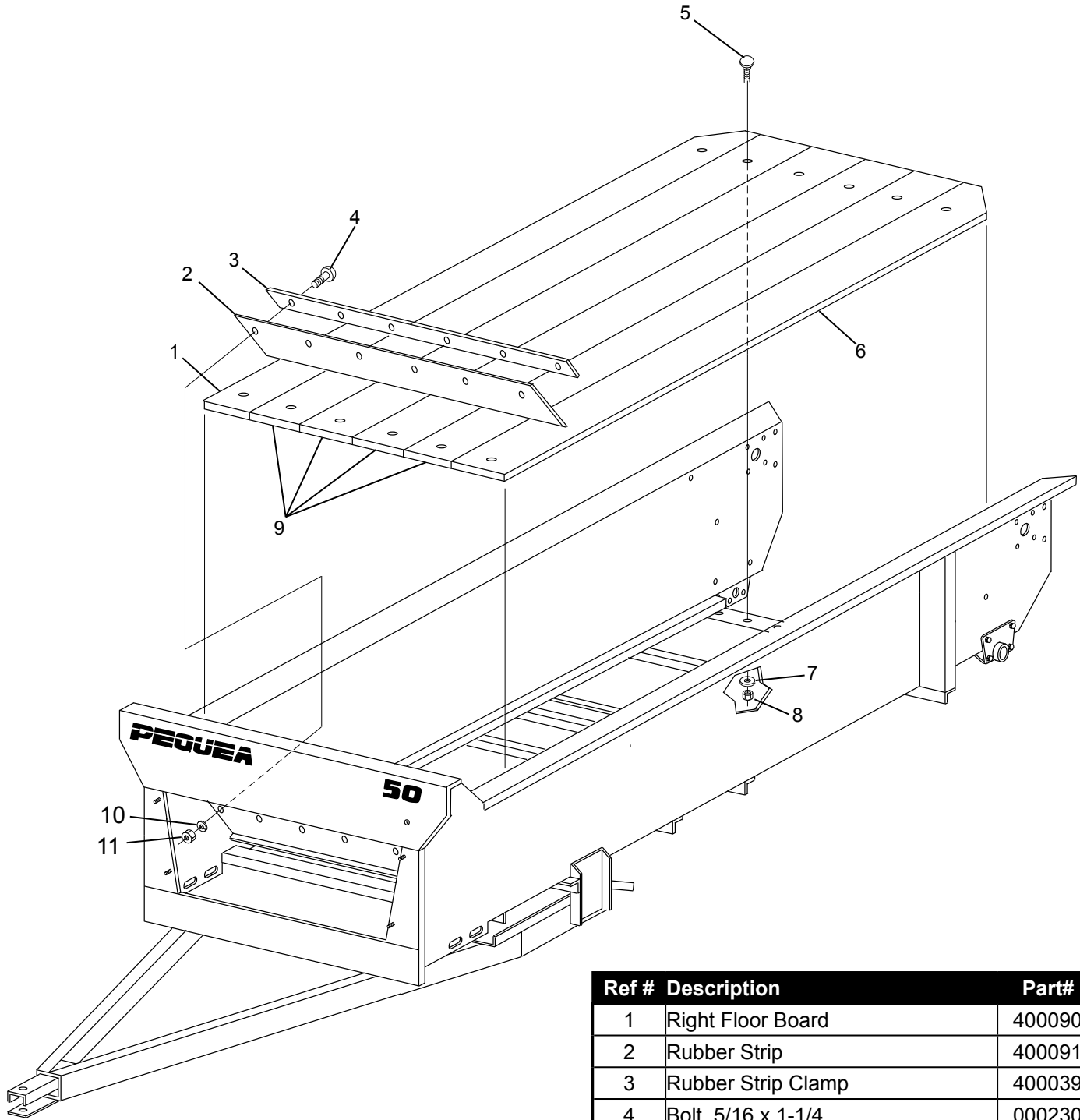
50G Right Rear S/N 94707+



Ref #	Description	Part#
1	Bolt, 3/8 x 1-1/4	000275
2	Hinge Pin, Ratchet Shield	401523
3	Timing Sprocket Assembly	403792
4	Nut, 3/8	000915
5	Reduction Sprocket Bushing	400102
6	Reduction Chain	400106
7	5/8" x 1" Nylon Flat Point Set Screw	403795
8	Grease Fitting	400117
9	Crank Arm Assembly	400169
10	Upper Bushing, Push Arm	700080
11	3/4" Machinery Bushing	400146
12	Cotter Pin, 3/16 x 1-1/4	400145
13	Ratchet Shield	400159
14	Caution Decal	400179
15	Warning Decal	400178
16	Beater Bearing	400104
17	Nut, 7/16	000935
19	Key, 1/4 x 1/4 x 1-1/4	400115
21	Beater Sprocket	400105
22	Shaft Collar, 1/1/8	400144
23	Locknut, 3/4	000990

Ref #	Description	Part#
24	Lower Bushing, Push Arm	700080
25	Ratchet Dawg	400170
26	Bolt, 3/4 x 3-1/2	000730
27	Ratchet Dawg	400889
28	Dawg Spring	400116
29	Flat Washer, 1/2	001055
30	Zerk Bolt	400364
31	Locknut, 1/2	000950
32	Web Bearing	400164
33	Web Bushing	400109
34	Web Shaft	400886
36	Control Arm	400888
37	Set Screw, 3/8 x 7/8	003878
38	Ratchet Wheel	400099
40	Bolt, 7/16 x 1-1/2	000360
42	Rubber T-Handle	400092
43	Machine Screw, 5/16 x 3/4	000210
44	Nut, 5/16	000910
47	Inner Ratchet Guard	400171
48	3/4 x 1-1/4 Machinery Bushing, 10 Ga.	400146
49	3/4" x 2-1/4" Long Shoulder, 5/8" Thread	403794
50	3/8" Flat Washer	001035
51	3/8" Lock Nut	000820
52	5/16" Lock Washer	000810
53	5/16" USS Flat Washer	001030
54	5/16" x 1" Carriage Bolt, Gr. 5 Zinc	000124

50G Floor



Ref #	Description	Part#
1	Right Floor Board	400090
2	Rubber Strip	400091
3	Rubber Strip Clamp	400039
4	Bolt, 5/16 x 1-1/4	000230
5	Carriage Bolt, 3/8" x 1-1/2"	000151
6	Left Floor Board	400089
7	Lock Washer, 3/8	000820
8	Nut, 3/8	000915
9	Middle Floor Boards	400088
10	5/16" Lock Washer	000810
11	Nut, 5/16	000910