



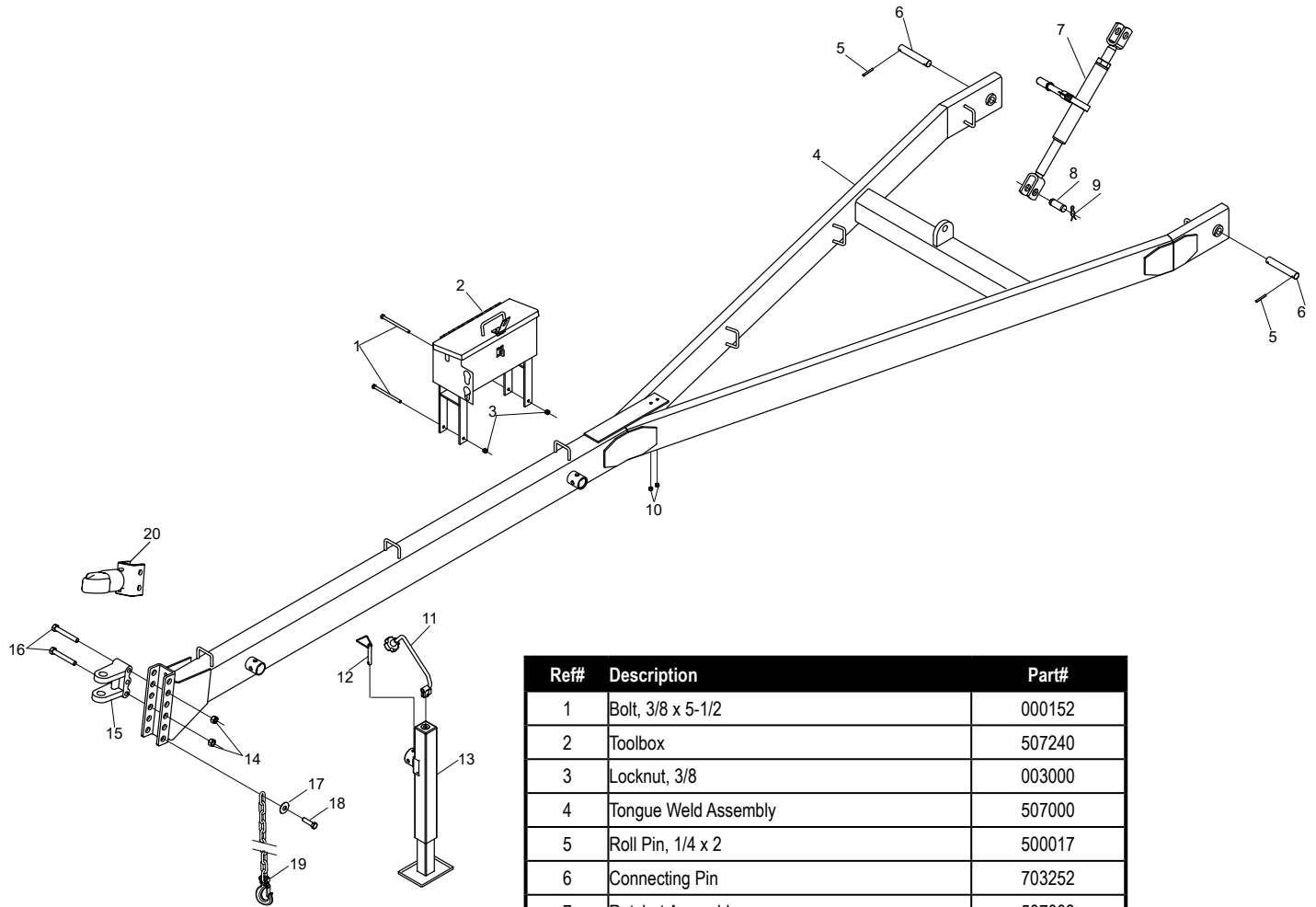
Windrow Pro 1820HD

Serial Numbers 93802 and Higher

Illustrated Parts Breakdown

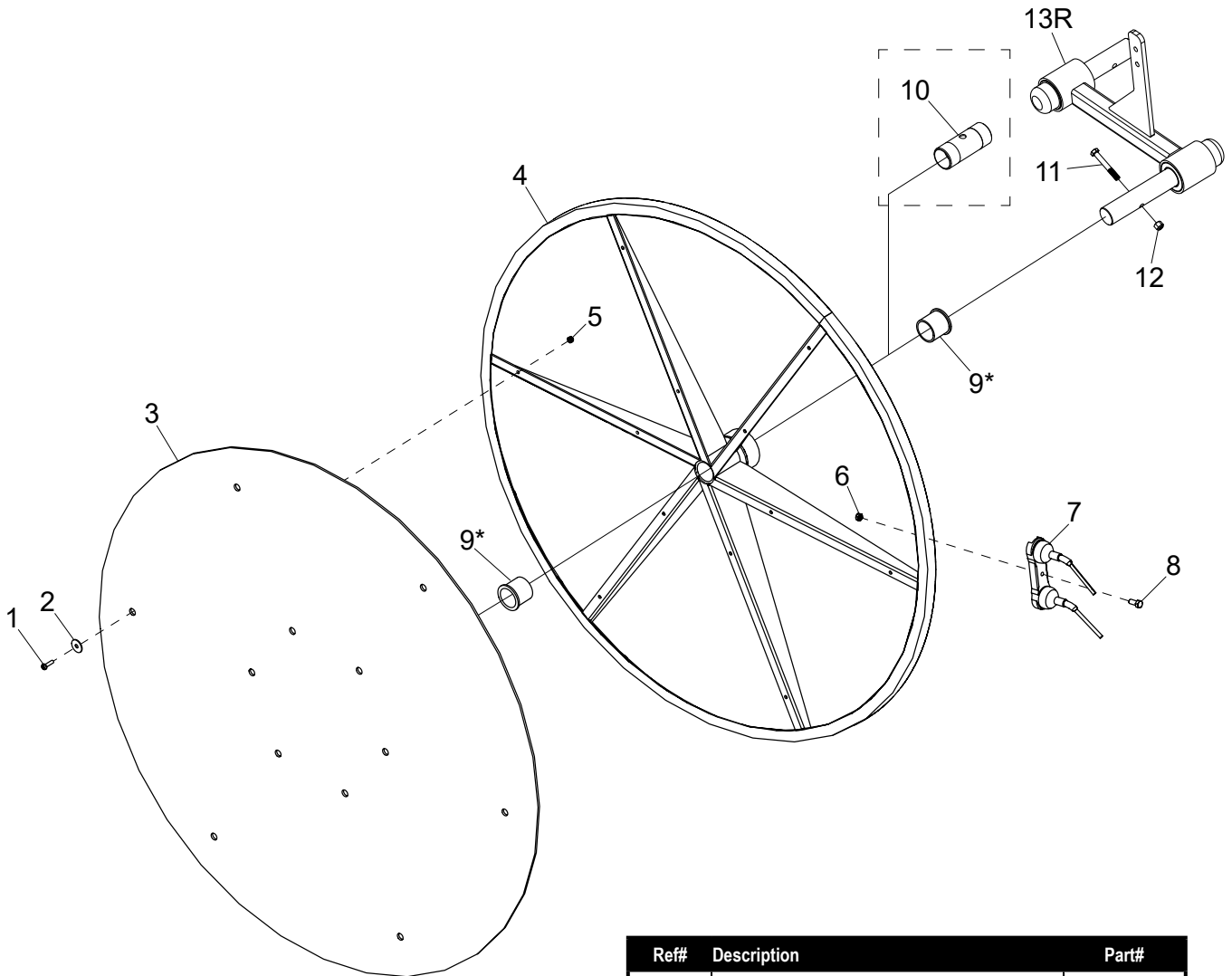
Page 1	Tongue Assembly
Page 2	Wheel Assembly S/N 93802+
Page 3	Left Arm Assembly S/N 93802+
Page 4	Right Arm Assembly S/N 93802+
Page 5	Wheel Arm Assembly S/N 93802+
Page 6	Overhead Frame Assembly
Page 7	Tandem Axle Assembly
Page 8	Tower Assembly
Page 9	Quick Pitch Components
Page 10	Hydraulic Components S/N 93802+
Page 11	Manifold Components S/N 93802+
Page 12	Manifold Components S/N 93802+ (bottom)
Page 13	Control Box & Wiring S/N 93802+
Page 14	Solenoid Valve & Plug Wiring S/N 93802+
Page 15	Switch Board Wire Diagram S/N 93802+
Page 16	Precision Spring Option S/N 93802+
Page 17	Decals

Tongue Assembly



Ref#	Description	Part#
1	Bolt, 3/8 x 5-1/2	000152
2	Toolbox	507240
3	Locknut, 3/8	003000
4	Tongue Weld Assembly	507000
5	Roll Pin, 1/4 x 2	500017
6	Connecting Pin	703252
7	Ratchet Assembly	507003
8	Cylinder Clevis Pin	507273
9	Clevis Pin Clip	507274
10	Locknut, 5/16	002999
11	Jack Handle	500010
12	Pin & Chain	102121
13	Sidewind	903317
14	5/8 Steel Locknut	900145
15	3-Hole Clevis Coupler	507018
16	Bolt, 5/8 x 4-1/2	000645
17	Safety Chain Washer	702200
18	Bolt, 1/2 x 2-1/2 Gr.8	000456
19	Safety Chain	702201
20	2-5/16" Ball Coupler	102007

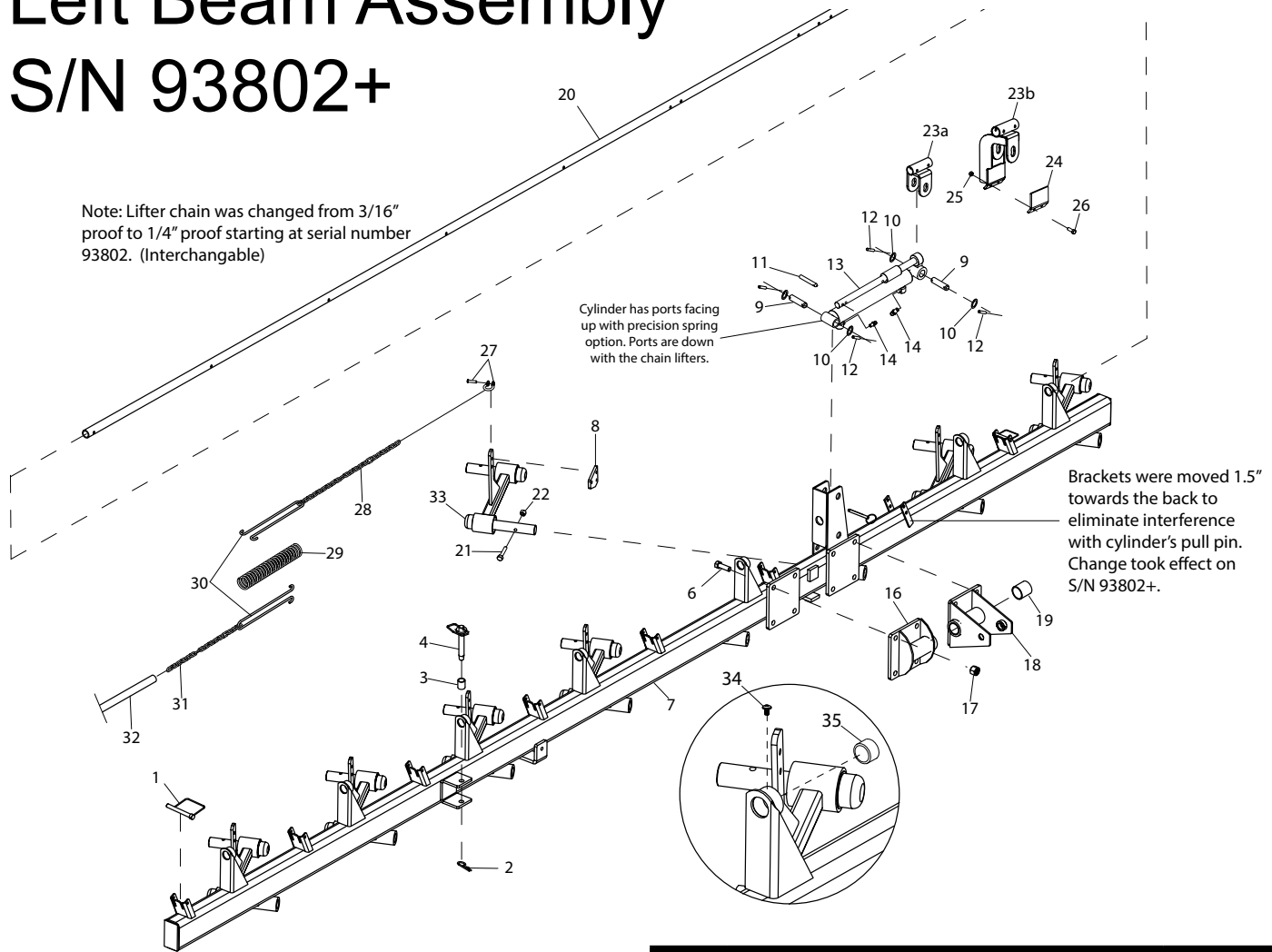
Wheel Assembly S/N 93802+



Ref#	Description	Part#
1	Truss Head Bolt, 1/4 x 1	000165
2	Fender Washer, 1/4	001127
3	Wheel Plastic	507499
4	Wheel Weld Assembly	507496
5	Nylon Lock Nut, 1/4	003001
6	Nylon Lock Nut, 3/8	003000
7	Double Tine	507153
8	Bolt, 3/8 x 7/8	000250
9	Bronze Bushing	700046
10	Service Sleeve	507633
11	3/8" x 2-3/4" Hex Head Bolt	000305
12	3/8" Nylon Locknut	003000
13R	Wheel Arm Fab Assembly, Right	507493
13L	Wheel Arm Fab Assembly, Left	507502
	Parts for Complete Rake Wheel (Unassembled)	507500

Left Beam Assembly

S/N 93802+



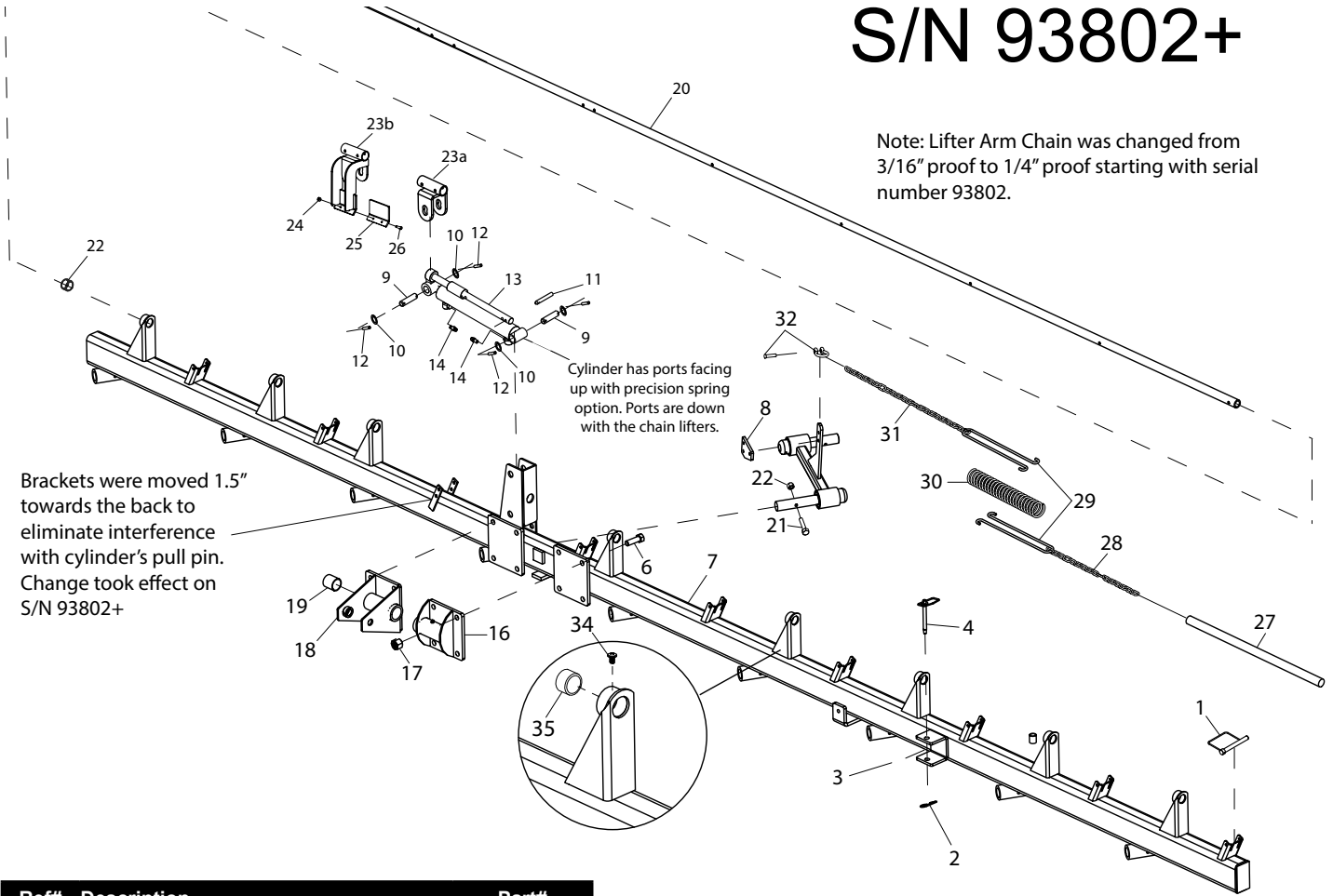
Ref#	Description	Part#
1	Lynch Pin	507175
2	Locking Clip	100216
3	Spacer	507298
4	Hitch Pin	300406
6	1/2 x 3 Stop Pin	100330
7	Main Arm Weldment, Left	507250
8	Spring Rod Extension Bracket	507509
9	Cylinder Pin	701021
10	Machinery Bushing	001008
11	1/2" Short Detent Pin	507696
12	Roll Pin, 1/4 x 1-3/4	500187
13	Wheel Lift Cylinder	507313
14	Hydraulic Fitting, 6400-6-6	507283
15	45 Degree Fitting, 2503-6-6	507199
16	Front Pivot	507254
17	Locknut, 3/4	000990
18	Rear Pivot	507252

Ref#	Description	Part#
19	Bronze Bushing	300012
20	Lifter Arm Pipe, Left	507026
21	3/8" x 2-3/4" Hex Head Bolt	000305
22	3/8" Nylon Lock Nut	003000
23a	Cylinder Connecting Bracket	507315
23b	PSO Cylinder Connecting Bracket (S/N 800156+)	507527
24	UHMW Sliding Plate (S/N 800156+)	507526
25	1/4" Nylon Lock Nut	003001
26	1/4" x 1" Hex Head Bolt	000182
27	1/4" Chain Clevis	507158
28	Lifter Chain, 26 Links	507156
29	Compression Spring	507154
30	Spring Connector	507155
31	Lifter Chain, 17 Links	507157
32	Chain Cover	507407
33	Complete Wheel Arm Assembly, Left	507502
34	1/4" X 1/4" Pan Head Screw (S/N 800190+)	507644
35	Nylon Bushing	401007

Ref #'s 27-32 are only used on rakes with standard springs

Right Beam Assembly

S/N 93802+



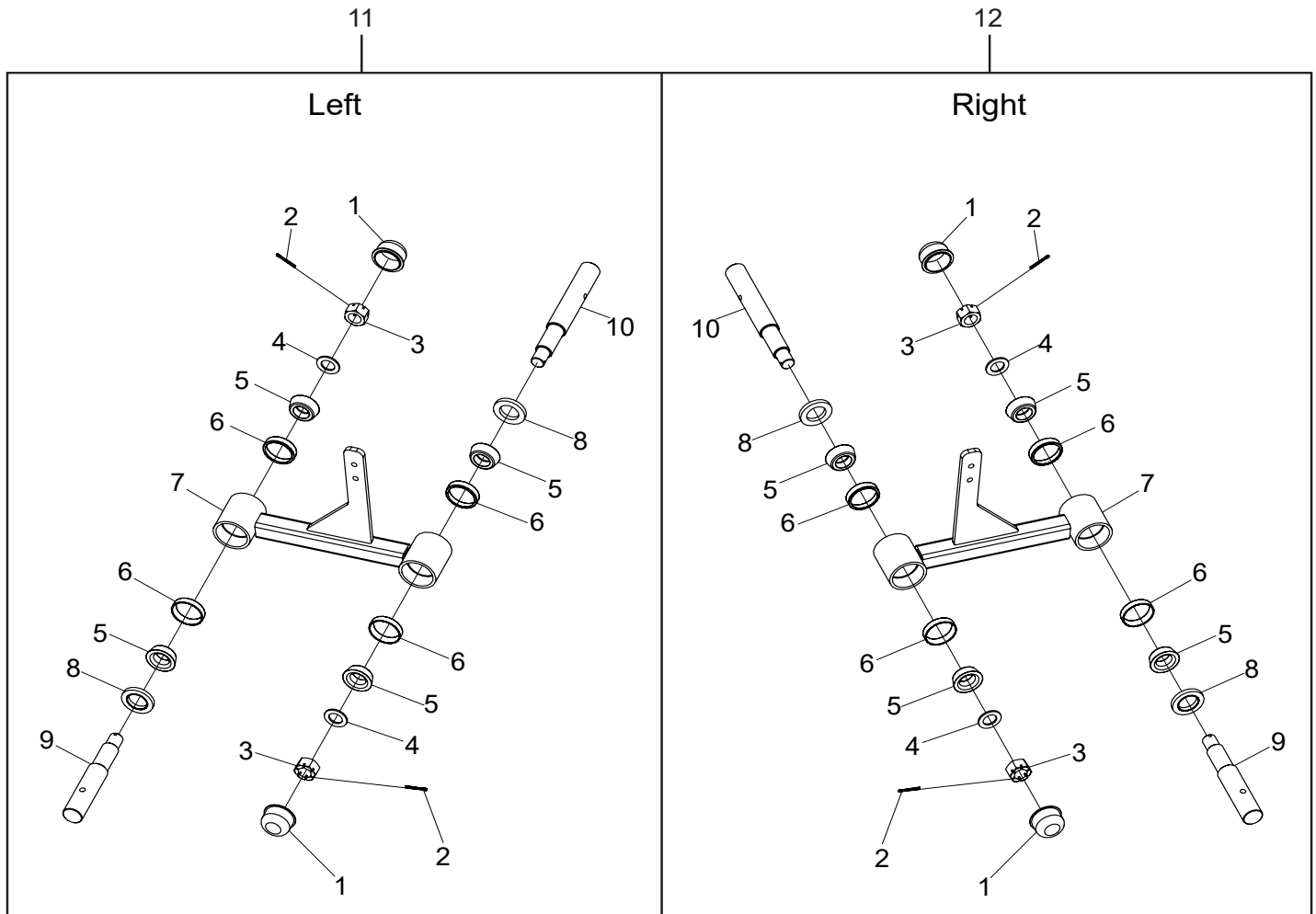
Ref#	Description	Part#
1	Lynch Pin	507175
2	Locking Clip	100216
3	Spacer	507298
4	Hitch Pin	300406
6	1/2 x 3 Stop Pin	100330
7	WR5417 Main Arm Weldment, Right	507260
8	Spring Rod Extension Bracket	507509
9	Cylinder Pin	701021
10	Machinery Bushing	001008
11	1/2" Short Detent Pin	507696
12	Roll Pin, 1/4 x 1-3/4	500187
13	Wheel Lift Cylinder	507313
14	Hydraulic Fitting, 6400-6-6	507283
15	45 Degree Fitting, 2503-6-6	507199
16	Front Pivot	507254
17	Locknut, 3/4	000990
18	Rear Pivot	507252
19	Bronze Bushing	300012
20	Lifter Arm Pipe, Right	507027

Ref#	Description	Part#
21	3/8" x 2-3/4" Hex Head Bolt	000305
22	3/8" Nylon Lock Nut	003000
23a	Cylinder Connecting Bracket	507315
23b	PSO Cylinder Connecting Bracket (S/N 800156+)	507527
24	1/4" Nylon Lock Nut	003001
25	UHMW Sliding Plate (S/N 800156+)	507526
26	1/4" x 1" Hex Head Bolt	000182
27	Chain Cover	507407
28	Lifter Chain, 17 Links	507157
29	Spring Connector	507155
30	Compression Spring	507154
31	Lifter Chain, 26 Links	507156
32	1/4" Chain Clevis	507158
33	Complete Wheel Assembly, Right	507493
34	1/4" X 1/4" Pan Head Screw (S/N 800190+)	507644
35	Nylon Bushing	401007

Ref #'s 27-32 are only used on rakes with standard springs

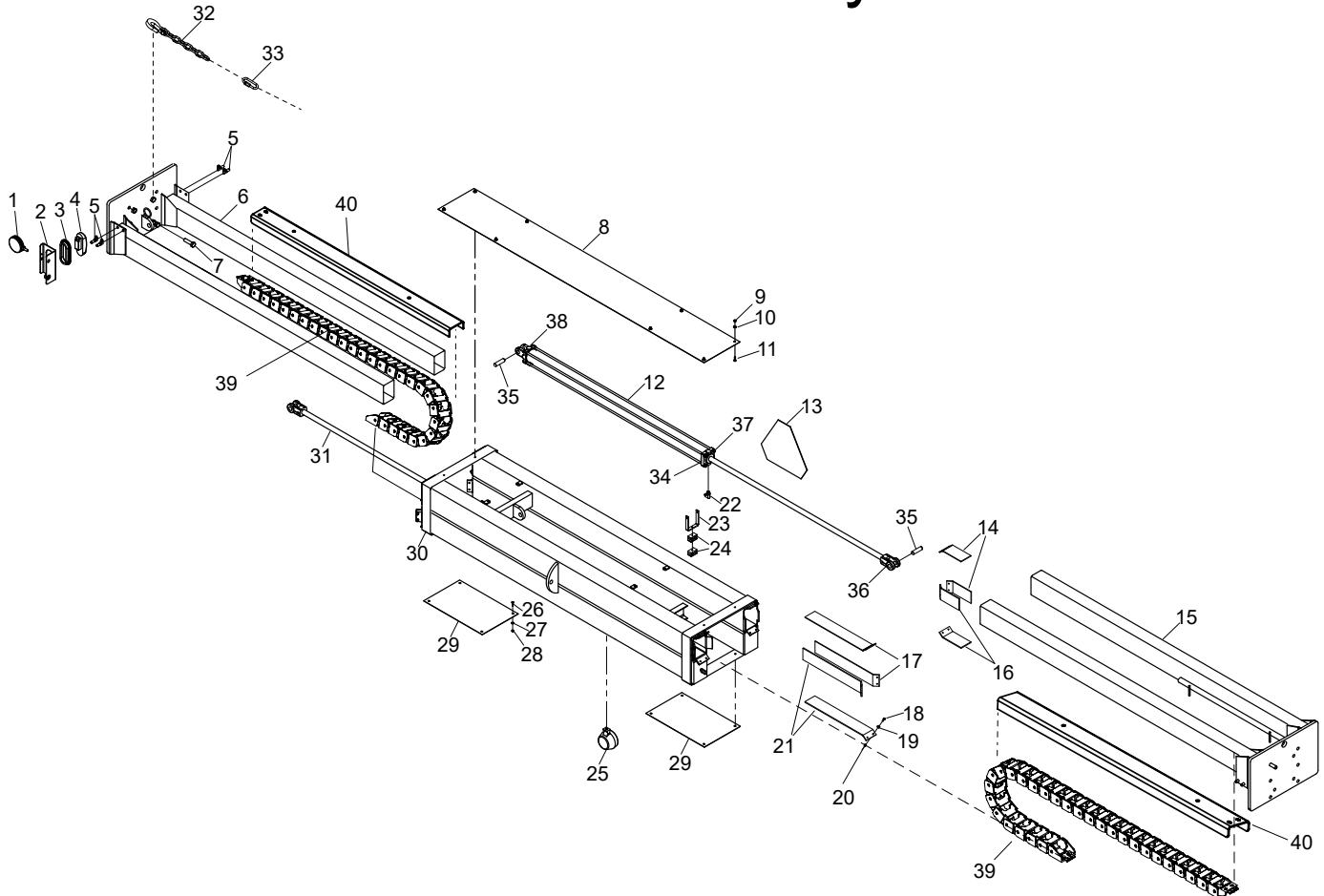
Wheel Arm Assembly

S/N 93802+



Ref#	Description	Part#
1	Hub Cap	101465
2	5/32 x 1-3/4 Cotter Pin	300282
3	Castle Nut (1288 Spindle)	300275
4	Spindle Washer	300047
5	Wheel Arm Bearing	507136
6	Wheel Arm Cup	507137
7	Wheel Arm Weldment	507131
8	Seal, Wheel Arm	507508
9	Wheel Arm Spindle--Wheel Side	507495
10	Wheel Arm Spindle--Beam Side	507494
11	Complete Wheel Arm Assembly, Left	507502
12	Complete Wheel Arm Assembly, Right	507493

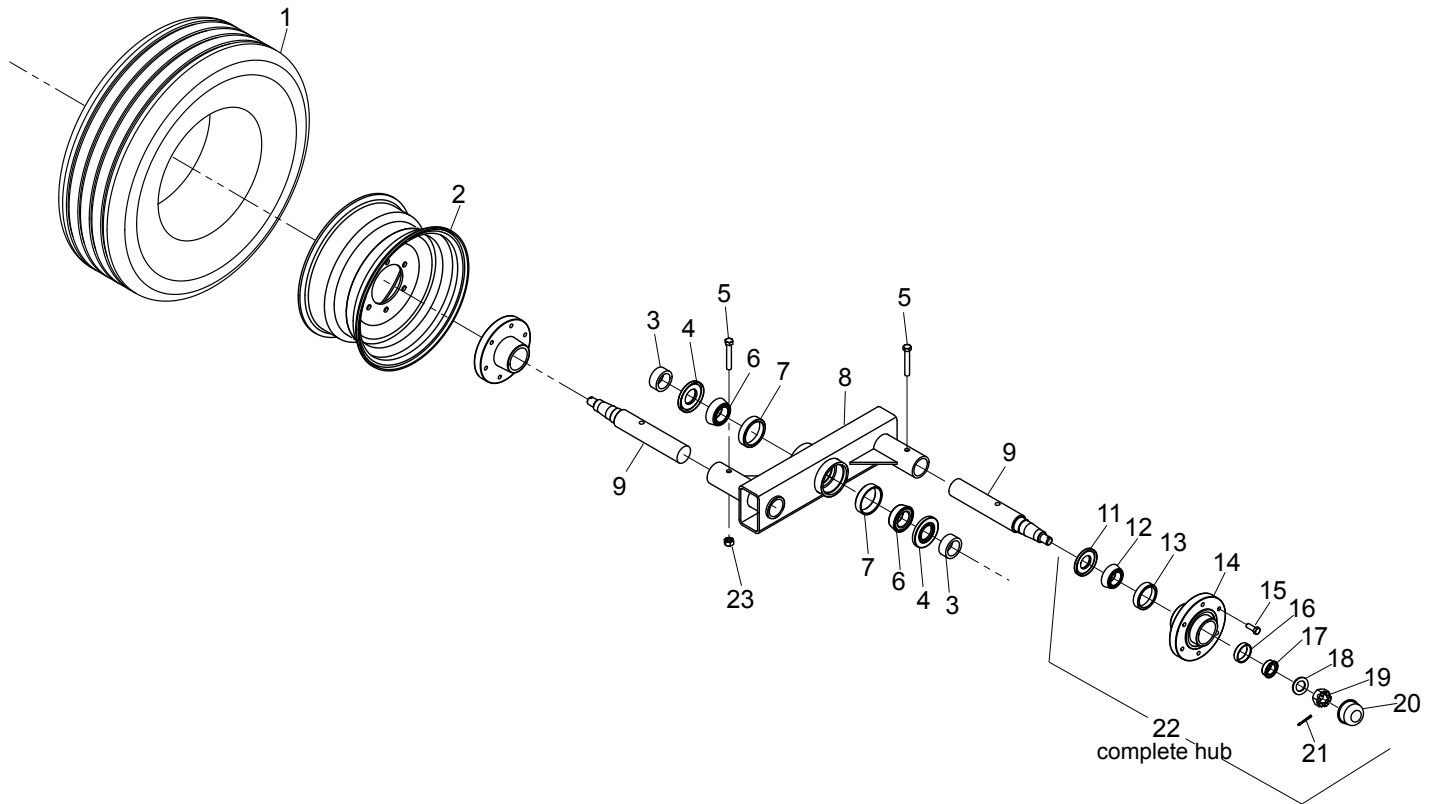
Overhead Frame Assembly S/N 93802+



Ref#	Description	Part#
1	Round Dual-Faced Light	507164
2	Light Bracket	507163
3	Grommet	100140
4	Oval Taillight	100139
5	90 Degree Fitting, 2701-6-6	507187
6	Telescoping Boom Assembly, Right	507674
7	Bolt, 3/4 x 2-3/4	000710
8	Galvanized Sheet	507216
9	Locknut, 1/4	003001
10	Flatwasher, 1/4	001020
11	Bolt, 1/4 x 7/8	000180
12	Cylinder, 3x60	507180
13	SMV Triangle	507166
14	3/16" x 8" Plastic Shim	507021
15	Telescoping Boom Assembly, Left	507675
16	1/4 Plastic Shim (no longer offered)	USE: 507021
17	3/16 x 22" Plastic Shim	507023
18	Bolt, 1/4 x 7/8	000180
19	Flatwasher, 1/4	001020
20	Locknut, 1/4	003001

Ref#	Description	Part#
21	1/4 Plastic Shim (no longer offered)	USE: 507023
22	90 Degree Fitting, 6801-6-8	507281
23	Hose Clamp Mount	507266
24	1/4" Hose Clamp Kit	507294
25	Rear Work Light	507176
26	Bolt, 1/4 x 7/8	000180
27	Flatwasher, 1/4	001020
28	Locknut, 1/4	003001
29	Galvanized Sheet	507215
30	Overhead Main Frame Weldment	507676
31	Cylinder, 3x60	507180
32	11 Link Safety Chain 7800 lb. GVWR	101132
33	Quick Link	001095
34	Seal Kit for Overhead Cylinder	507370
35	Pin Kit for Overhead Cylinder	507371
36	Rod Clevis for Overhead Cylinder	507372
37	Rod Cap for Overhead Cylinder	507373
38	Clevis Cap for Overhead Cylinder	507374
39	Hose Carrier	507679
40	Hose Carrier Track	507660

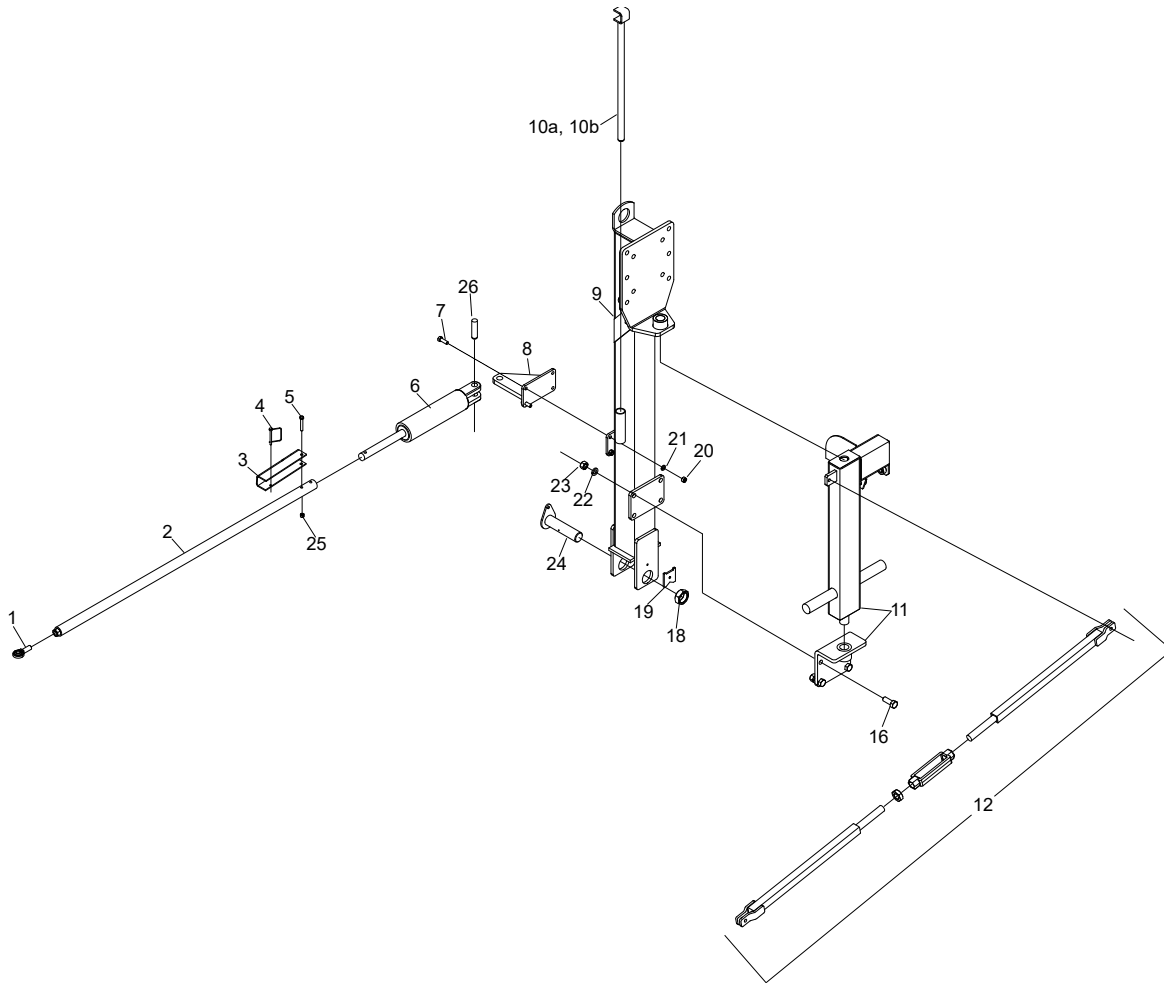
Tandem Axle Assembly



Ref#	Description	Part#
1	255/70 R15 Tire	507038
2	Wheel 15x8 6-Bolt	903225
3	Spacer	507144
4	Grease Seal	507014
5	Bolt, 1/2 x 3-1/4	000477
6	Bearing, 25580	101427
7	Race, 25520	101429
8	Walking Beam Weldment	507096
9	Spindle	507099
11	Grease Seal	300030
12	Inner Bearing, JL69349	300031

Ref#	Description	Part#
13	Inner Race, JL69310	300032
14	Hub	300033
15	1/2" Lug Bolt	300037
16	Outer Race, LM67010	300034
17	Outer Bearing, LM67048	300035
18	Spindle Washer	300283
19	Spindle Nut	300281
20	Dust Cap	300036
21	Cotter Pin, 5/32 x 1-3/4	300282
22	Hub Complete	300122
23	Locknut, 1/2	000950

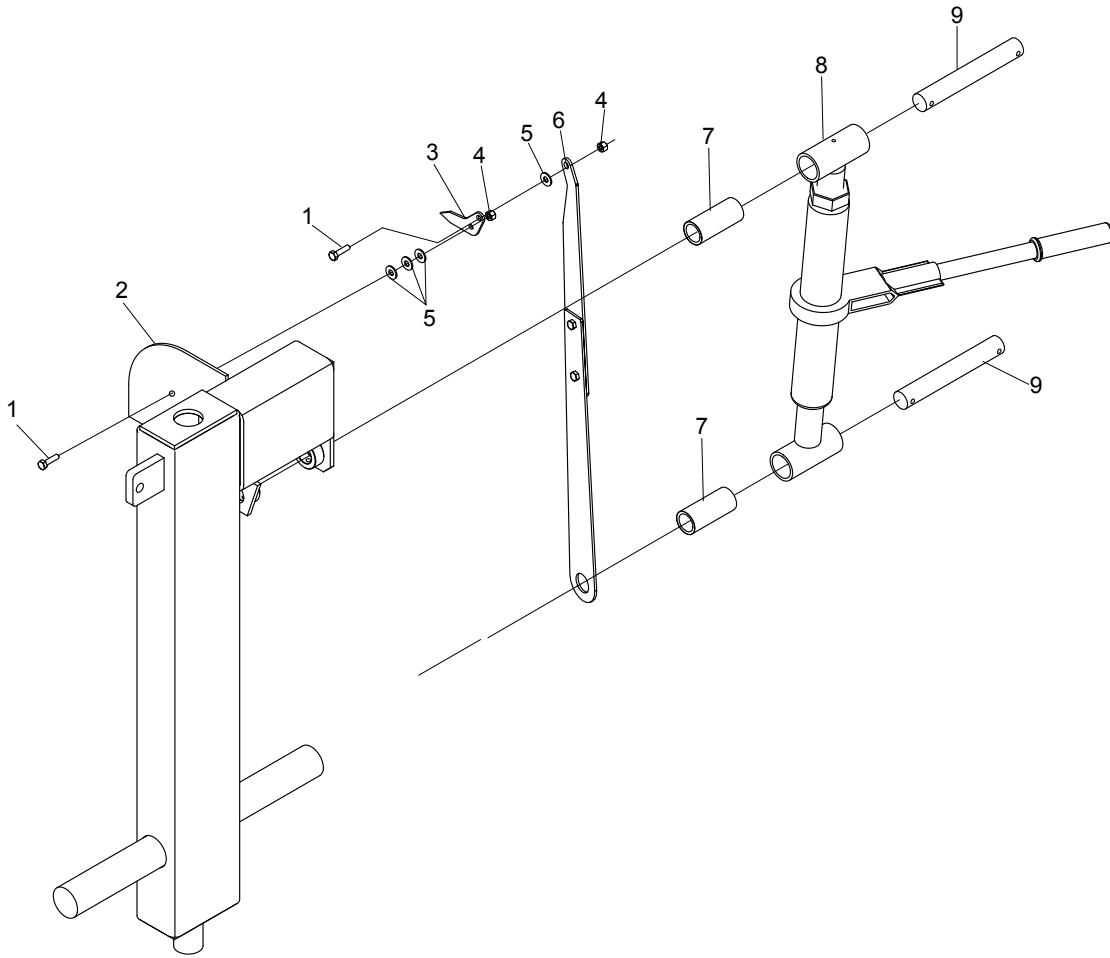
Tower Assembly



Ref#	Description	Part#
1	Ball Joint Swivel	300044
2	Cylinder Linkage	507228
3	Locking Bracket	507220
4	Snapper Pin, 1/4 x 2-1/2	507186
5	Bolt, 3/8 x 2-1/2	000300
6	3x10 Hydraulic Cylinder	507335
7	Bolt, 1/2 x 1-1/2	000435
8	Cylinder Bracket	507119
9A	Tower Weld Assembly, Right S/N -800216	507292
*	Tower Weld Assembly, Left S/N -800216	507291
9B	Tower Weld Assembly, Right S/N 800216+	507672
*	Tower Weld Assembly, Left S/N 800216+	507673
10a	Handle Weld Assembly: for 1.5" Tube SN -800304	507017
10b	Handle Weld Assembly: for 2.0" Tube SN800304+	507700

Ref#	Description	Part#
11	Main Arm Swivel, Right	507236
*	Main Arm Swivel, Left	507235
12	Stabilizing Arm Assembly	507369
16	Bolt, 3/4 x 2	000760
18	Jam Nut, 1-3/4	507143
19	Locking Plate	507141
20	Nut, 1/2	000940
21	Lock Washer, 1/2	000840
22	Lock Washer, 3/4	000870
23	Nut, 3/4	000975
24	Walking Beam Pin	507097
25	Locknut, 3/8	003000
26	Cylinder Pin	507273

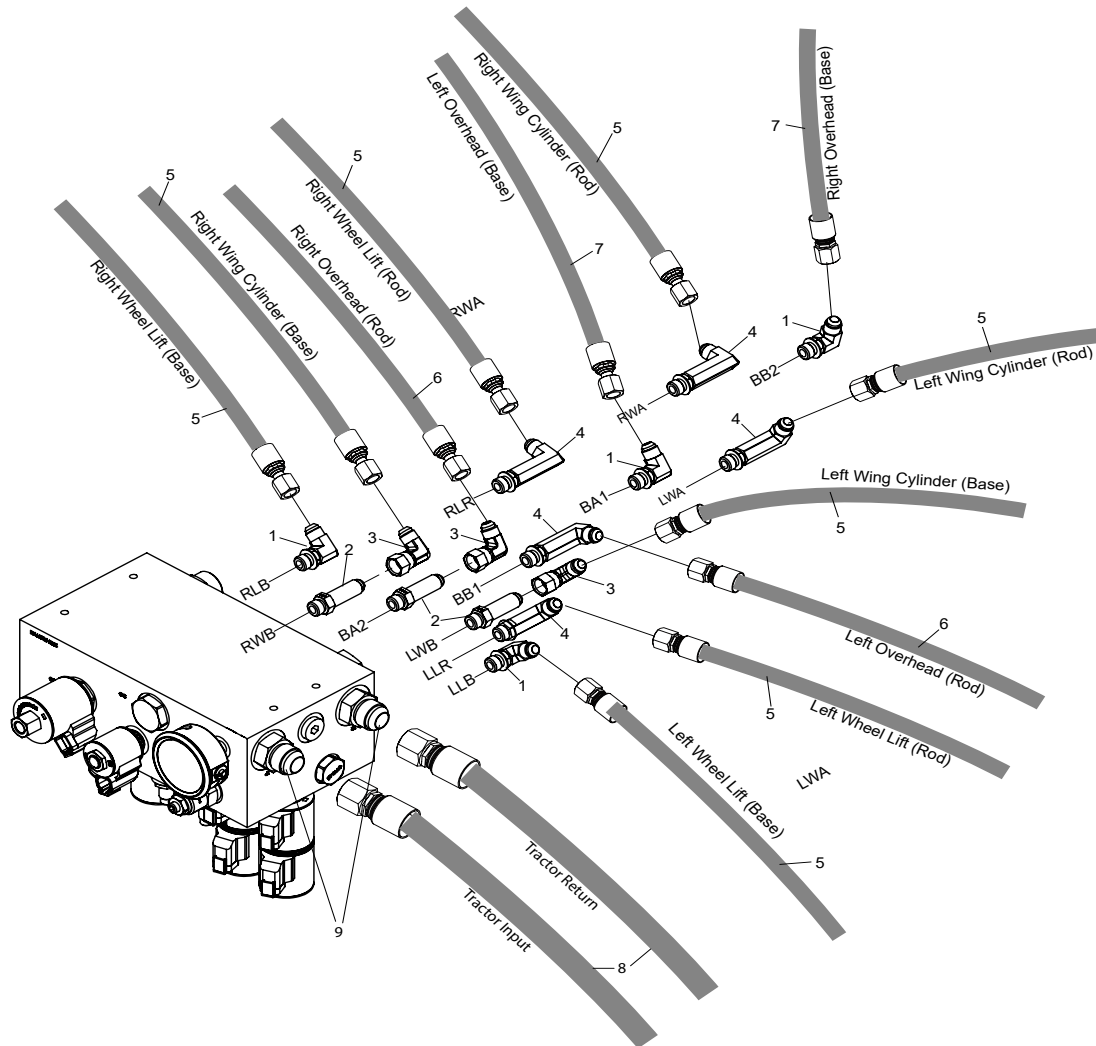
Quick Pitch Components



Ref#	Description	Part#
1	Bolt, 1/4 x 1	100148
2	Arm Swivel Assembly, Right	507236
*	Arm Swivel Assembly, Left	507235
3	Pitch Indicator	507234
4	Locknut, 1/4	003001
5	Flatwasher, 1/4	001020
6	Indicator Linkage S/N 800152+ (Can be installed on any WR5417, regardless of S/N)	507524
7	Bronze Bushing	500278
8	Ratchet Assembly	507230
9	Ratchet Pivot Shaft	507263

Hydraulic Components

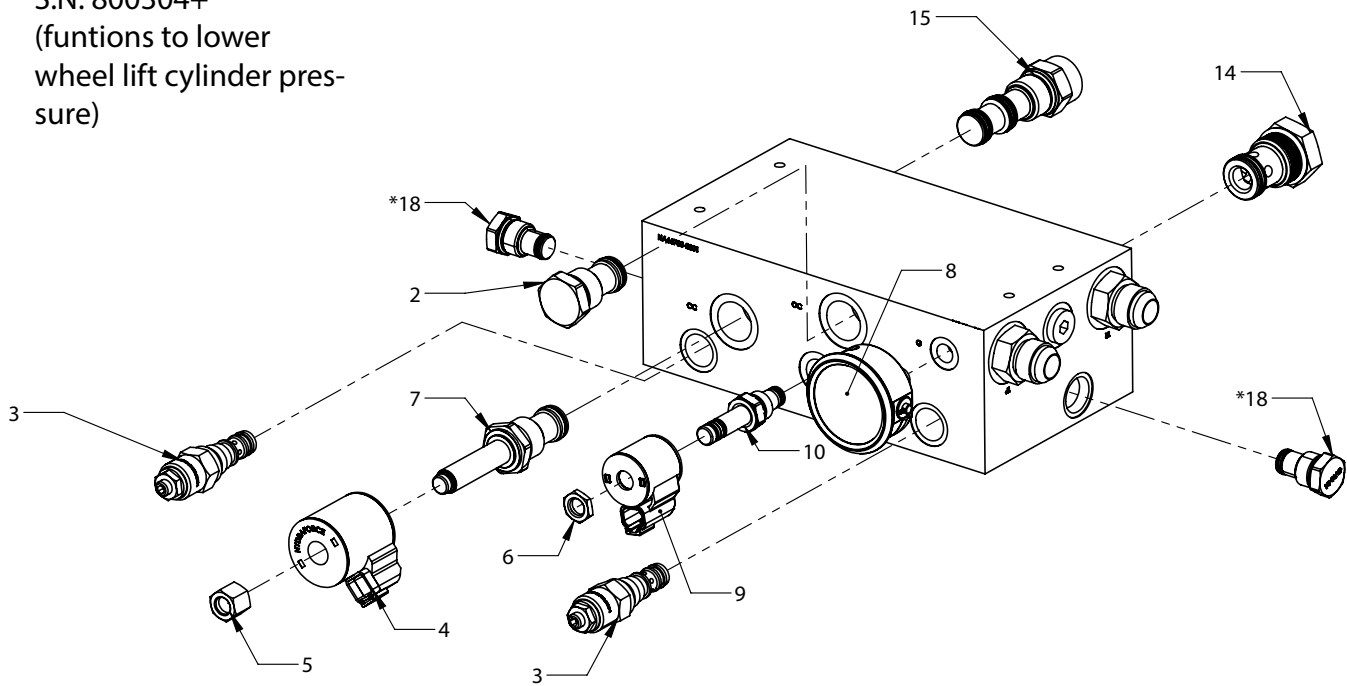
S/N 93802+



Ref#	Description	Part#
1	90 Degree Elbow,- #6 MJ x #6 MB	507287
2	6400 - 6 - 6L	510638
3	90 Degree Elbow,- #6 MJ x #6 FJX	508703
4	6MJ-6MB90 Extra Long Adapter	507284
5	154" Hose Assembly	507682
6	58" Hose Assembly	507681
7	23" Hose Assembly	507532
8	252" x 5/8" Hose Assembly	507533
9	Straight Fitting,- #12MJ x #12 MB	290065

Manifold Components, S/N 800234+

*NOTE: Check valves
added to manifold
S.N. 800304+
(functions to lower
wheel lift cylinder pres-
sure)

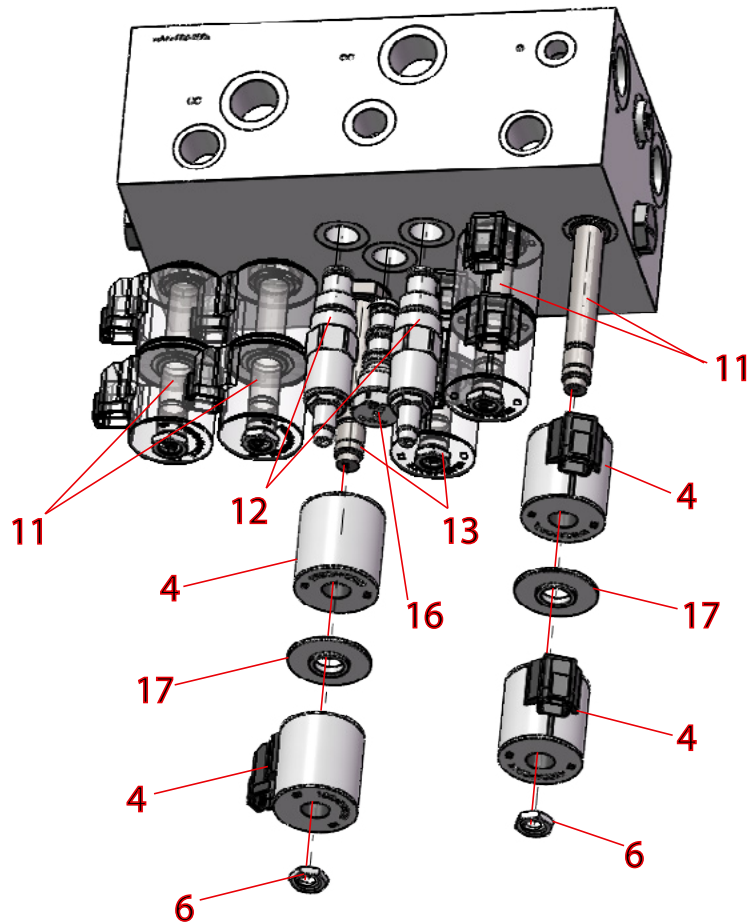


Ref#	Description	Part#
1	Complete manifold with Valves	507530
2	Cavity Plug	507665
3	Counter Balance Valve	510645
4	12V 1.7A Solenoid Coil	830325
5	Coil Retainer Nut	507668
6	Coil Retainer Jam Nut	507669
7	SV12 solenoid Valve	507663
8	3000 PSI Pressure Gauge	290293
9	SV08-20 Valve Coil 12V 1.4A	505725

Ref#	Description	Part#
10	SV08 Solenoid Valve	5PQ507661
11	2 Way Normally Closed Valve	5PQ800534
12	Relief Valve	5PQ507664
13	SV10-47A Cartridge Valve	5PQ507666
14	CV16-20 Check Valve	5PQ830321
15	Flow Regulator	5PQ507662
16	Flow Divider	5PQ507457
17	Coil Spacer	5PQ507667
18	Check Valve CV10-24	5PQ507667

Manifold Components, S/N 800234+ (Bottom View)

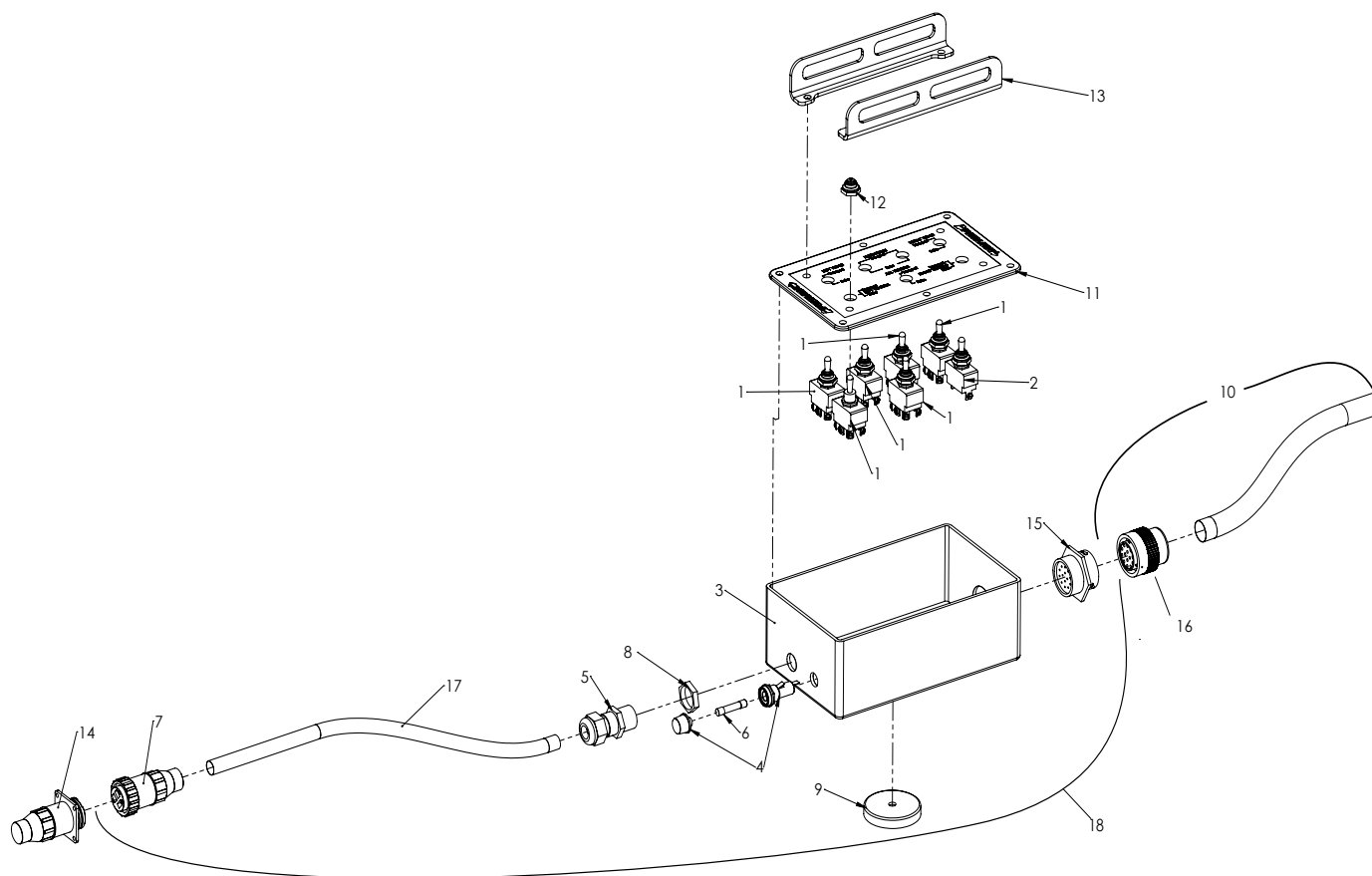
*NOTE: Manifold shown in closed center position. Can easily be adapted to work on a tractor with open center fixed flow hydraulics by switching the solenoid coil and cartridge valve assembly from "CC" port to "OC" port.



Ref#	Description	Part#
1	Complete manifold with Valves	507530
2	Cavity Plug	507665
3	Counter Balance Valve	510645
4	12V 1.7A Solenoid Coil	830325
5	Coil Retainer Nut	507668
6	Coil Retainer Jam Nut	507669
7	SV12 solenoid Valve	507663
8	3000 PSI Pressure Gauge	290293
9	SV08-20 Valve Coil 12V 1.4A	505725

Ref#	Description	Part#
10	SV08 Solenoid Valve	507661
11	2 Way Normally Closed Valve	800534
12	Relief Valve	507664
13	SV10-47A Cartridge Valve	507666
14	CV16-20 Check Valve	830321
15	Flow Regulator	507662
16	Flow Divider	507457
17	Coil Spacer	507667
18	Check Valve CV10-24	507697

Control Box & Wiring S/N 93802+



Ref#	Description	Part#
1	Toggle Switch DPDP (6 contact)	507311
2	Toggle Switch SPDT (3 contact)	507314
3	Control Box Plastic Housing	507416
4	Fuse Holder	507402
5	Cord Grip	507415
6	10 Amp Fuse	507403
7	Amp Plug (3 prong)	290290
8	Locking Nut	507414
9	Magnet	800450
10	Complete Wiring Harness	507689
11	Control Box Lid	507690
12	Toggle Switch Half Boot	507413
13	Switch Guard	507408
14	Amp Receptical (Tractor Side)	830791
15	21 Pin Receptacle	507638
16	21 Pin Plug	507639
17	Cable (Specify length upon order)	290168
18	Complete Control Box without Harness	507691

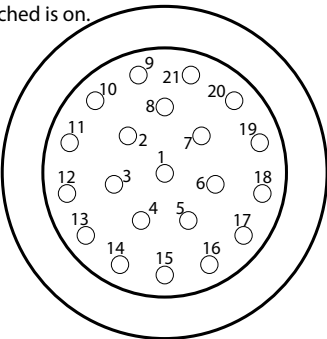
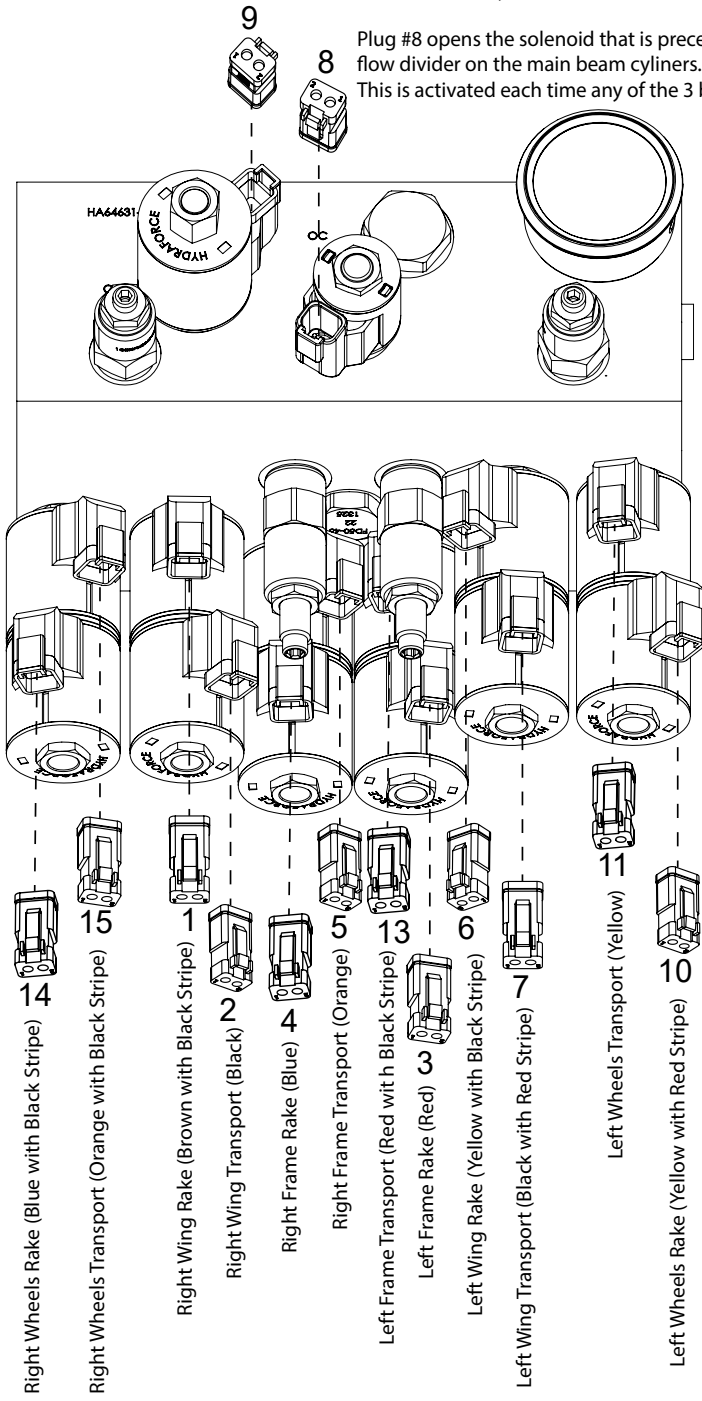
Solenoid Valve and Plug Wiring

S/N 93802+

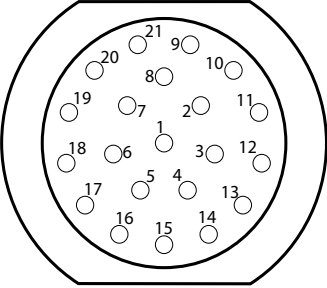
View is from front of Machine (tractor looking back towards the rake)

Plug #9 is to the solenoid for the "open center" solenoid and is activated each time any switch is used.

Plug #8 opens the solenoid that is preceding the flow divider on the main beam cylinders. This is activated each time any of the 3 beam switched is on.

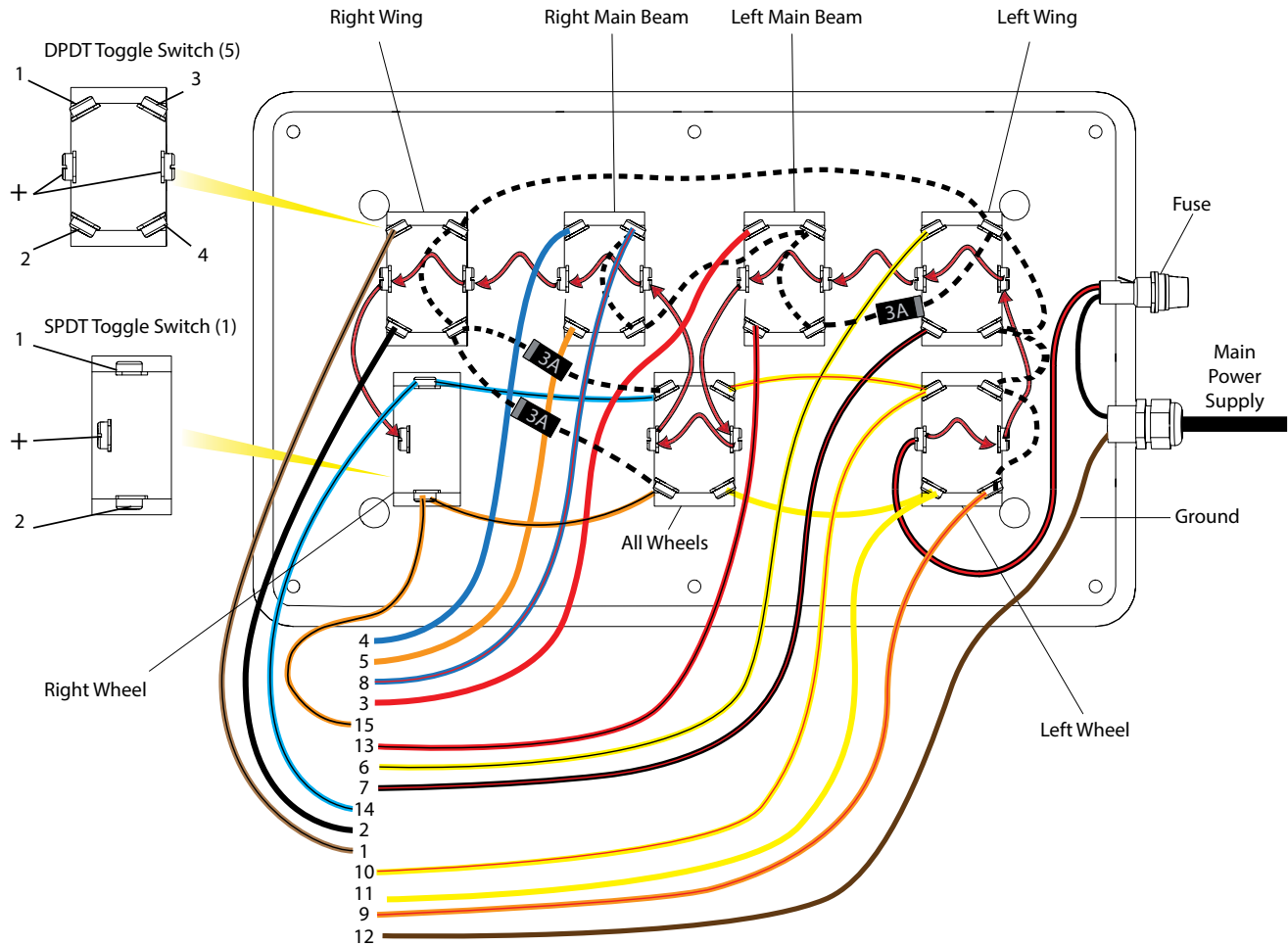


1619 Deutsch
HDP26-18-21SN
(Harness End)



1625 Deutsch
HDP24-18-21PN
(switchbox plug)

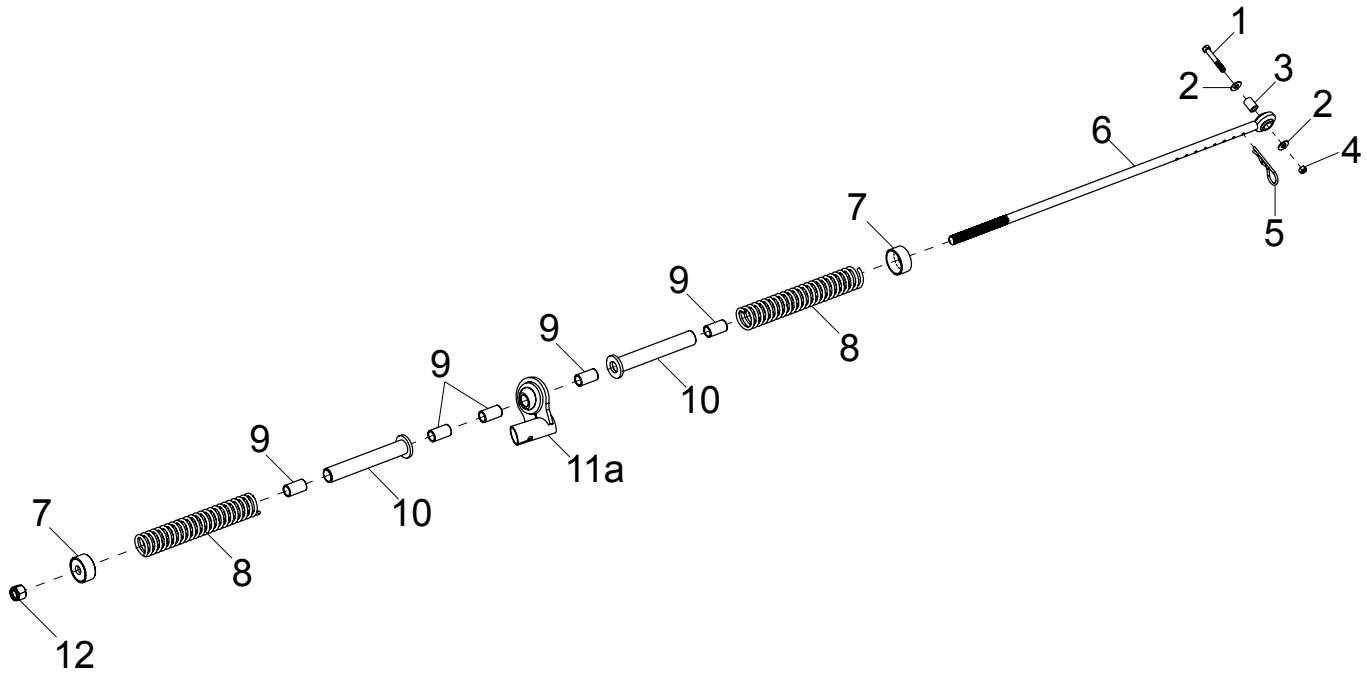
Switch Board Wire Diagram S/N 93802+



Function	Plug #	Position	Wire Color	Cylinder Movement
LEFT WING	6	Rake	Yellow with black stripe	Retract
	7	Transport	Black with red stripe	Extend
MAIN FRAME LEFT	3	Rake	Red	Extend
	13	Transport	Red with black stripe	Retract
MAIN FRAME RIGHT	4	Rake	Blue	Extend
	5	Transport	Orange	Retract
RIGHT WING	1	Rake	Brown with black stripe	Retract
	2	Transport	Black	Extend
LEFT WHEELS	10	Rake	Yellow with Red Stripe	Extend
	11	Transport	Yellow	Retract
ALL WHEELS	14&10	Rake	Blue with black stripe & yellow with red stripe	Extend
	15&11	Transport	Yellow & Orange with black stripe	Retract
RIGHT WHEELS	14	Rake	Blue with Black stripe	Extend
	15	Transport	Orange with black stripe	Retract
GROUND	12	N/A	Brown	N/A
SV08-20	8	FLOW DIVIDER SWITCH	Blue with Red Stripe	N/A
SV12-21	9	OPEN CENTER	Orange with Red Stripe	N/A

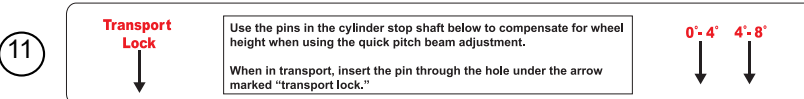
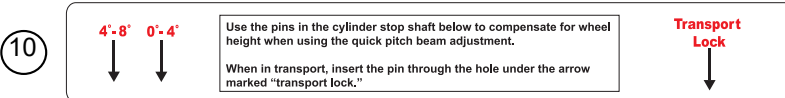
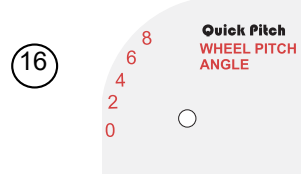
Precision Spring Option

For rakes with Serial Numbers more than 93802



Ref#	Description	Part#
1	Bolt, 3/8 x 2-1/2	000300
2	Flat Washer, 3/8	001035
3	Bushing	507341
4	Lock Nut, 3/8"	900134
5	Hairpin Cotter	507340
6	Spring Rod Weldment	507339
7	Spring Retainer	507348
8	Spring	507154
9	Plastic Bushing	507465
10	Rod Guide Weldment	507460
11a	Spring Assist Bracket, Left	507461
11b	Spring Assist Bracket, Right	507467
12	Lock Nut, 3/4"	000990

Decals



Ref#	Description	Part#
1	Decal, Pequea	400859
2	Decal, 1820HD	903339
3	Decal, Windrow Pro	903340
4	Caution, General Information	903103
5	Warning, Bystanders	903220
6	Warning, Cylinder Lockups	903219
7	Warning, Transport Locks	903218
8	Warning, Hydraulic Pressure	903114
9	Warning, Speed	903124
10	Cylinder Lock, Left	903224
11	Cylinder Lock, Right	903223

Ref#	Description	Part#
12	Decal, Yellow Retroreflective	903121
13	Decal, Red Retroreflective	903112
14	Decal, Orange Strip	903217
15	Quickpitch Decal, Left	903222
16	Quickpitch Decal, Right	903221
17	Decal, Patent	903341
	1820HD Tongue Decal Kit	507267
	1820HD Right Arm Decal Kit	507268
	1820HD Main Decal Kit	507269
	1820HD Left Arm Decal Kit	507276
	Hose Numbering Decal Kit	507277