



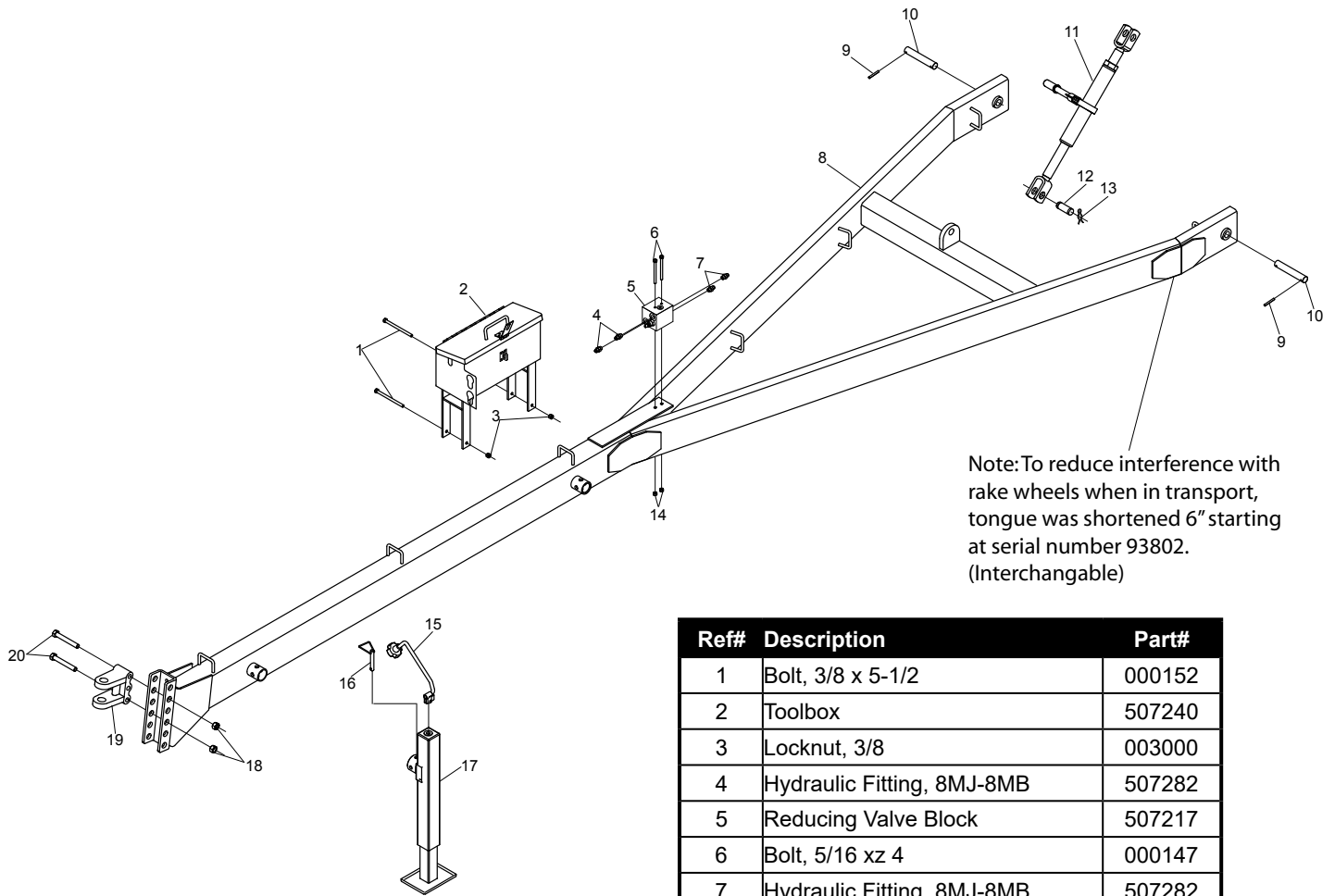
Windrow Pro 1820HD

Serial Numbers 100103 and Higher

Illustrated Parts Breakdown

Page 1	Tongue Assembly
Page 2	Wheel Assembly S/N 93802+
Page 3	Left Arm Assembly S/N 93802+
Page 4	Right Arm Assembly S/N 93802+
Page 5	Wheel Arm Assembly S/N 93802+
Page 6	Precision Spring Assembly S/N 93802+
Page 7	Overhead Frame Assembly
Page 8	Tandem Axle Assembly
Page 9	Hydraulic Components
Page 10	Tower Assembly
Page 11	Quick Pitch Components
Page 12	Nachi Valve and Plug Wire Diagram
Page 13	Switch Board Wire Diagram
Page 14	Control Box
Page 15	Solenoid Valve and Plug Wiring S/N Help

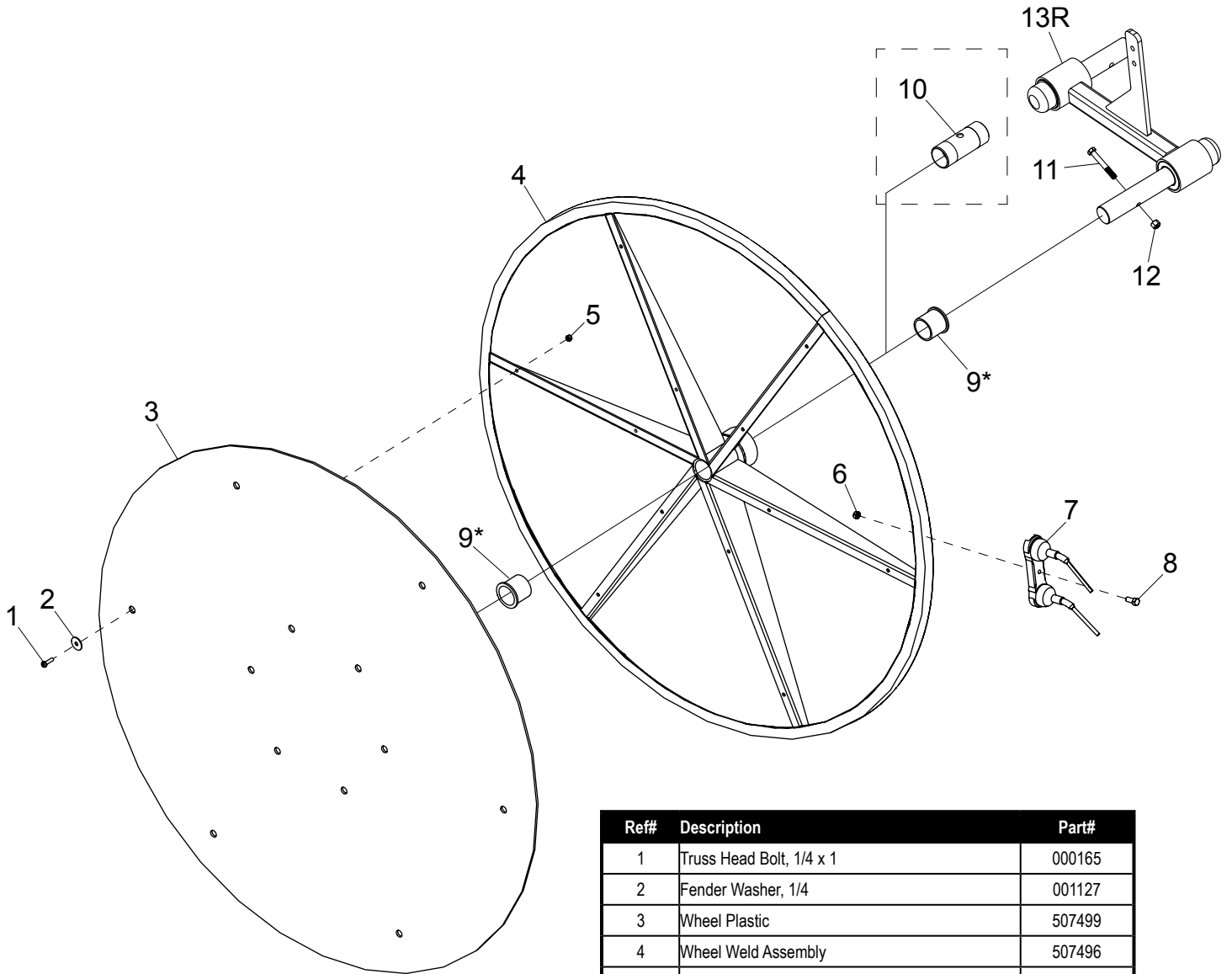
Tongue Assembly



Ref#	Description	Part#
1	Bolt, 3/8 x 5-1/2	000152
2	Toolbox	507240
3	Locknut, 3/8	003000
4	Hydraulic Fitting, 8MJ-8MB	507282
5	Reducing Valve Block	507217
6	Bolt, 5/16 xz 4	000147
7	Hydraulic Fitting, 8MJ-8MB	507282
8	Tongue Weld Assembly	507000
9	Roll Pin, 1/4 x 2	500017
10	Connecting Pin	703252
11	Ratchet Assembly	507003
12	Cylinder Clevis Pin	507273
13	Clevis Pin Clip	507274
14	Locknut, 5/16	002999
15	Jack Handle	500010
16	Pin & Chain	102121
17	Sidewind	903317
18	5/8 Steel Locknut	900145
19	3-Hole Clevis Coupler	507018
20	Bolt, 5/8 x 4-1/2	000645
	2-5/16 Ball Coupler	102007

Wheel Assembly

For rakes with Serial Numbers more than 93802

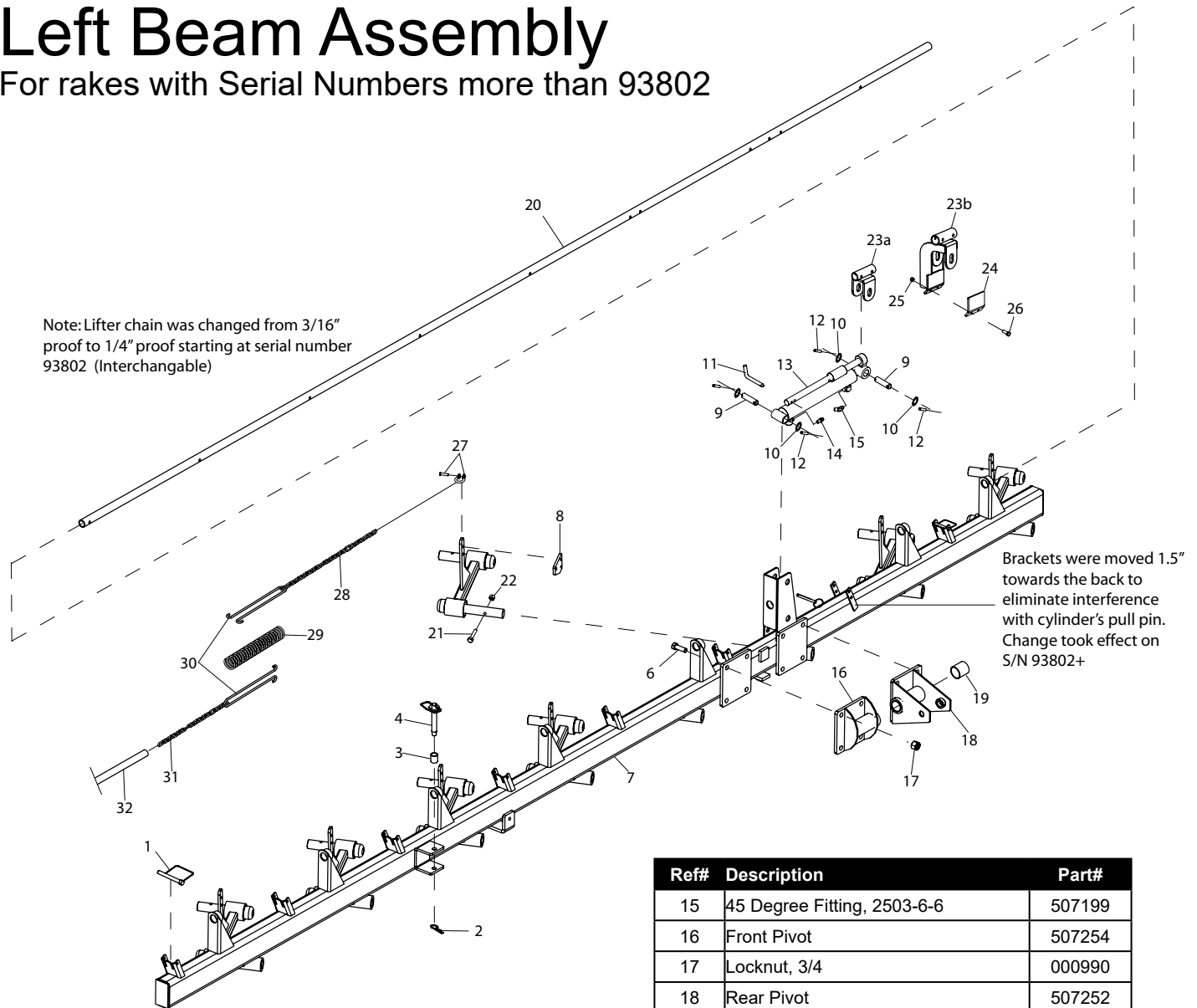


Ref#	Description	Part#
1	Truss Head Bolt, 1/4 x 1	000165
2	Fender Washer, 1/4	001127
3	Wheel Plastic	507499
4	Wheel Weld Assembly	507496
5	Nylon Lock Nut, 1/4	003001
6	Nylon Lock Nut, 3/8	003000
7	Double Tine	507153
8	Bolt, 3/8 x 7/8	000250
9	Bronze Bushing	700046
10	Service Sleeve	507633
11	3/8" x 2-3/4" Hex Head Bolt	000305
12	3/8" Nylon Locknut	003000
13R	Wheel Arm Fab Assembly, Right	507493
13L	Wheel Arm Fab Assembly, Left	507502
	Parts for Complete Wheel (Unassembled)	507500

Left Beam Assembly

For rakes with Serial Numbers more than 93802

Note: Lifter chain was changed from 3/16" proof to 1/4" proof starting at serial number 93802 (Interchangeable)



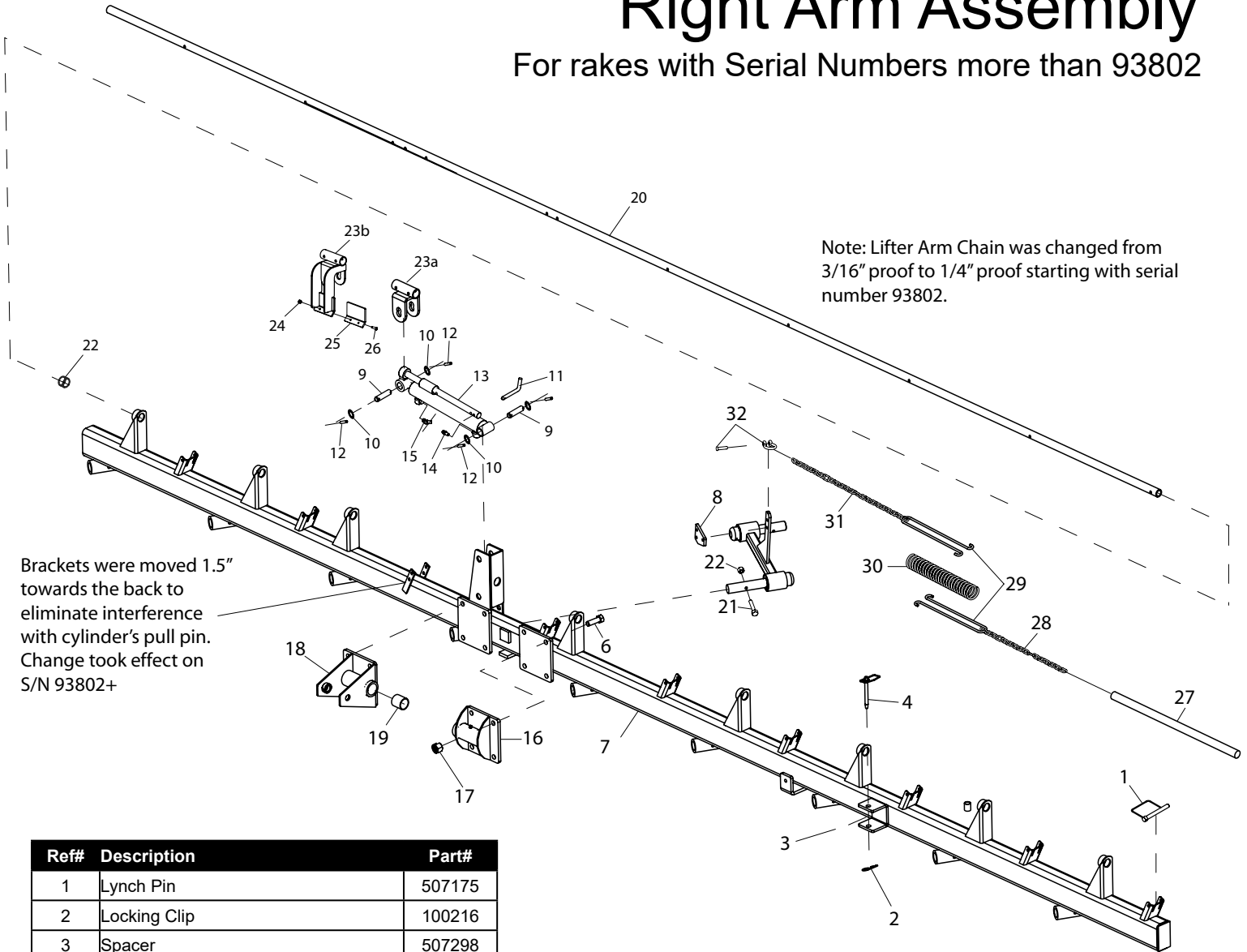
Ref#	Description	Part#
1	Lynch Pin	507175
2	Locking Clip	100216
3	Spacer	507298
4	Hitch Pin	300406
6	1/2 x 3 Stop Pin	100330
7	Main Arm Weldment, Left	507250
8	Spring Rod Extension Bracket	507509
9	Cylinder Pin	701021
10	Machinery Bushing	001008
11	1/2 x 3 Stop Pin	100330
12	Roll Pin, 1/4 x 1-3/4	500187
13	Wheel Lift Cylinder	507313
14	Hydraulic Fitting, 2404-6-6	507200

Ref#	Description	Part#
15	45 Degree Fitting, 2503-6-6	507199
16	Front Pivot	507254
17	Locknut, 3/4	000990
18	Rear Pivot	507252
19	Bronze Bushing	300012
20	Lifter Arm Pipe, Left	507026
21	3/8" x 2-3/4" Hex Head Bolt	000305
22	3/8" Nylon Lock Nut	003000
23a	Cylinder Connecting Bracket	507315
23b	PSO Cylinder Connecting Bracket	507527
24	UHMW Sliding Plate	507526
25	1/4" Nylon Lock Nut	003001
26	1/4" x 1" Hex Head Bolt	000182
27	1/4" Chain Clevis	507158
28	Lifter Chain, 26 Links	507156
29	Compression Spring	507154
30	Spring Connector	507155
31	Lifter Chain, 17 Links	507157
32	Chain Cover	507407

Ref #'s 27-32 are only used on rakes with standard springs

Right Arm Assembly

For rakes with Serial Numbers more than 93802



Brackets were moved 1.5" towards the back to eliminate interference with cylinder's pull pin. Change took effect on S/N 93802+

Note: Lifter Arm Chain was changed from 3/16" proof to 1/4" proof starting with serial number 93802.

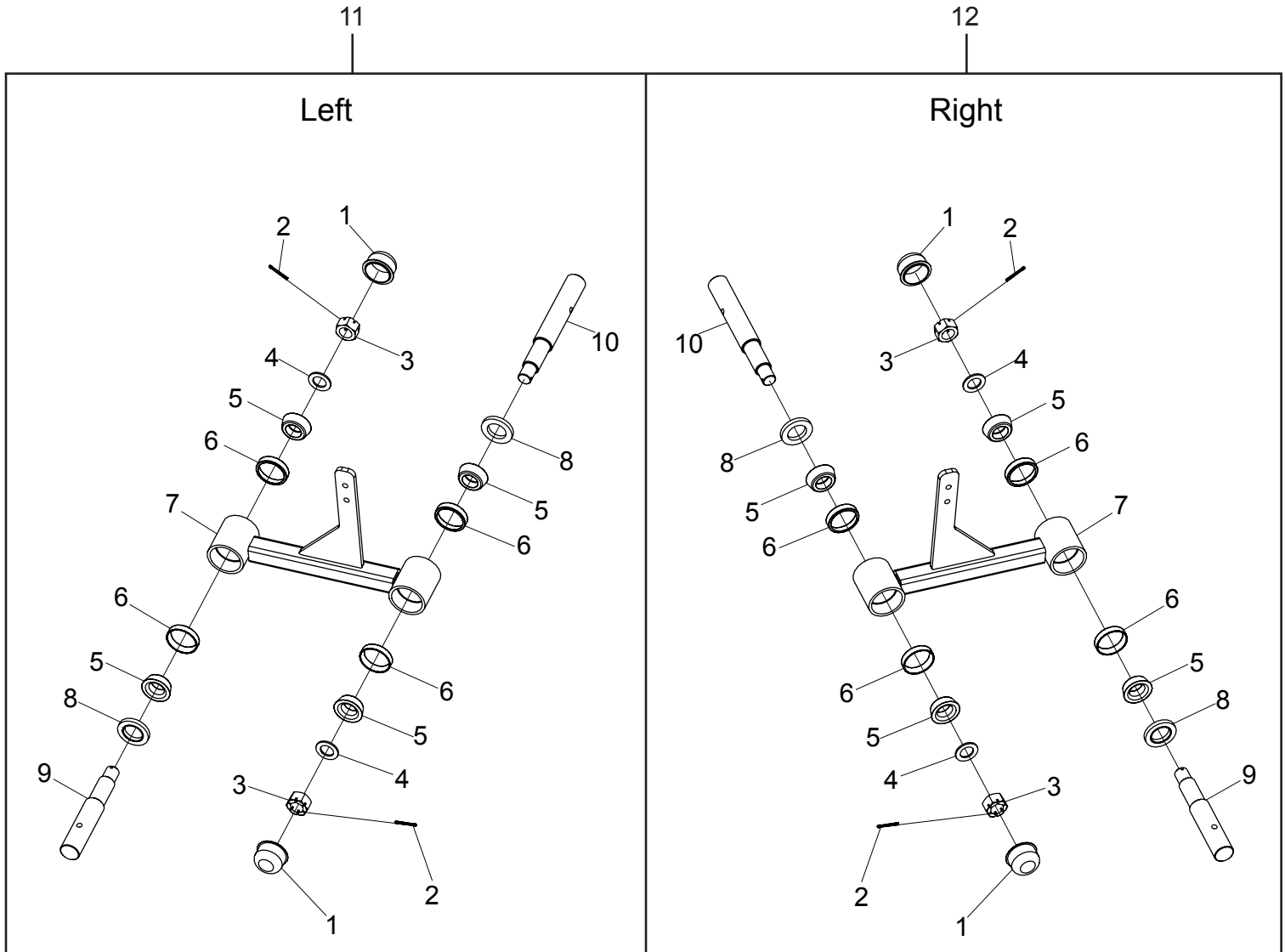
Ref#	Description	Part#
1	Lynch Pin	507175
2	Locking Clip	100216
3	Spacer	507298
4	Hitch Pin	300406
6	1/2 x 3 Stop Pin	100330
7	WR5417 Main Arm Weldment, Left	507250
8	Spring Rod Extension Bracket	507509
9	Cylinder Pin	701021
10	Machinery Bushing	001008
11	1/2 x 3 Stop Pin	100330
12	Roll Pin, 1/4 x 1-3/4	500187
13	Wheel Lift Cylinder	507313
14	Hydraulic Fitting, 2404-6-6	507200
15	45 Degree Fitting, 2503-6-6	507199
16	Front Pivot	507254
17	Locknut, 3/4	000990
18	Rear Pivot	507252
19	Bronze Bushing	300012
20	Lifter Arm Pipe, Left	507026

Ref#	Description	Part#
21	3/8" x 2-3/4" Hex Head Bolt	000305
22	3/8" Nylon Lock Nut	003000
23a	Cylinder Connecting Bracket	507315
23b	PSO Cylinder Connecting Bracket	507527
24	1/4" Nylon Lock Nut	003001
25	UHMW Sliding Plate	507526
26	1/4" x 1" Hex Head Bolt	000182
27	Chain Cover	507407
28	Lifter Chain, 17 Links	507157
29	Spring Connector	507155
30	Compression Spring	507154
31	Lifter Chain, 26 Links	507156
32	1/4" Chain Clevis	507158

Ref #'s 27-32 are only used on rakes with standard springs

Wheel Arm Assembly

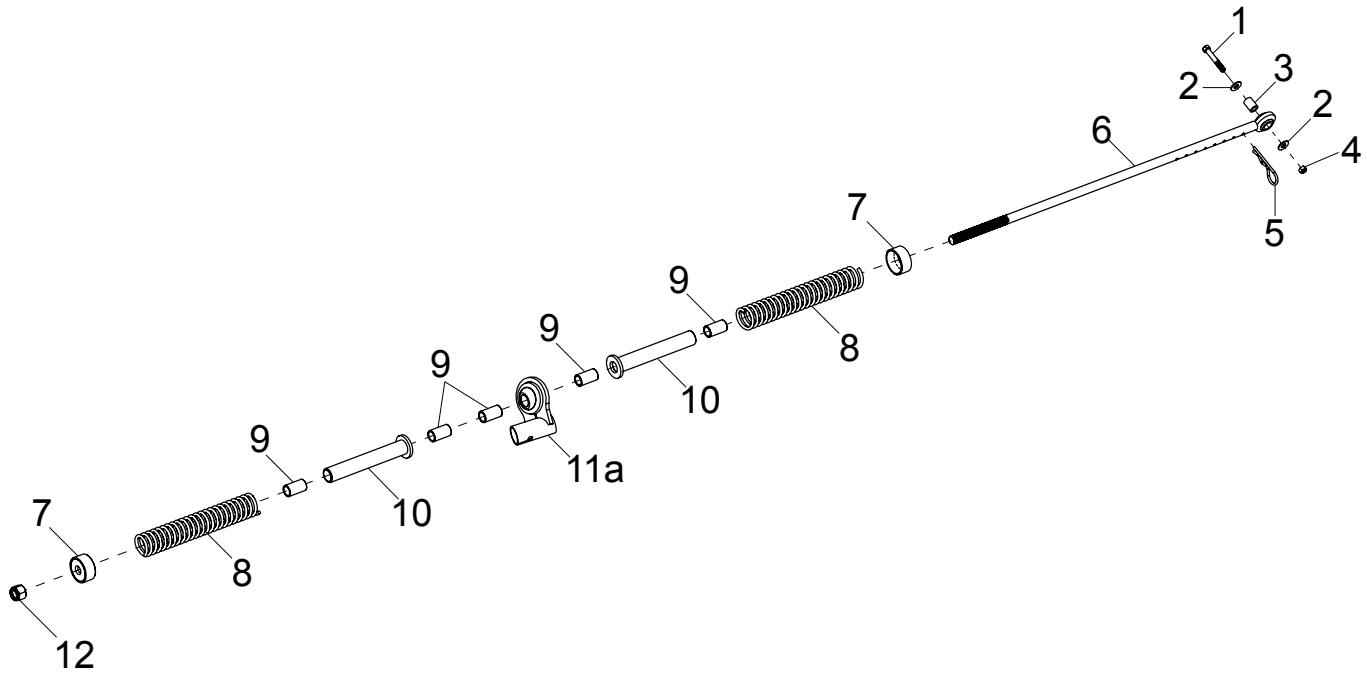
For rakes with Serial Numbers more than 93802



Ref#	Description	Part#
1	Hub Cap	101465
2	5/32 x 1-3/4 Cotter Pin	300282
3	Castle Nut (1288 Spindle)	300275
4	Spindle Washer	300047
5	Wheel Arm Bearing	507136
6	Wheel Arm Cup	507137
7	Wheel Arm Weldment	507131
8	Seal, Wheel Arm	507508
9	Wheel Arm Spindle--Wheel Side	507495
10	Wheel Arm Spindle--Beam Side	507494

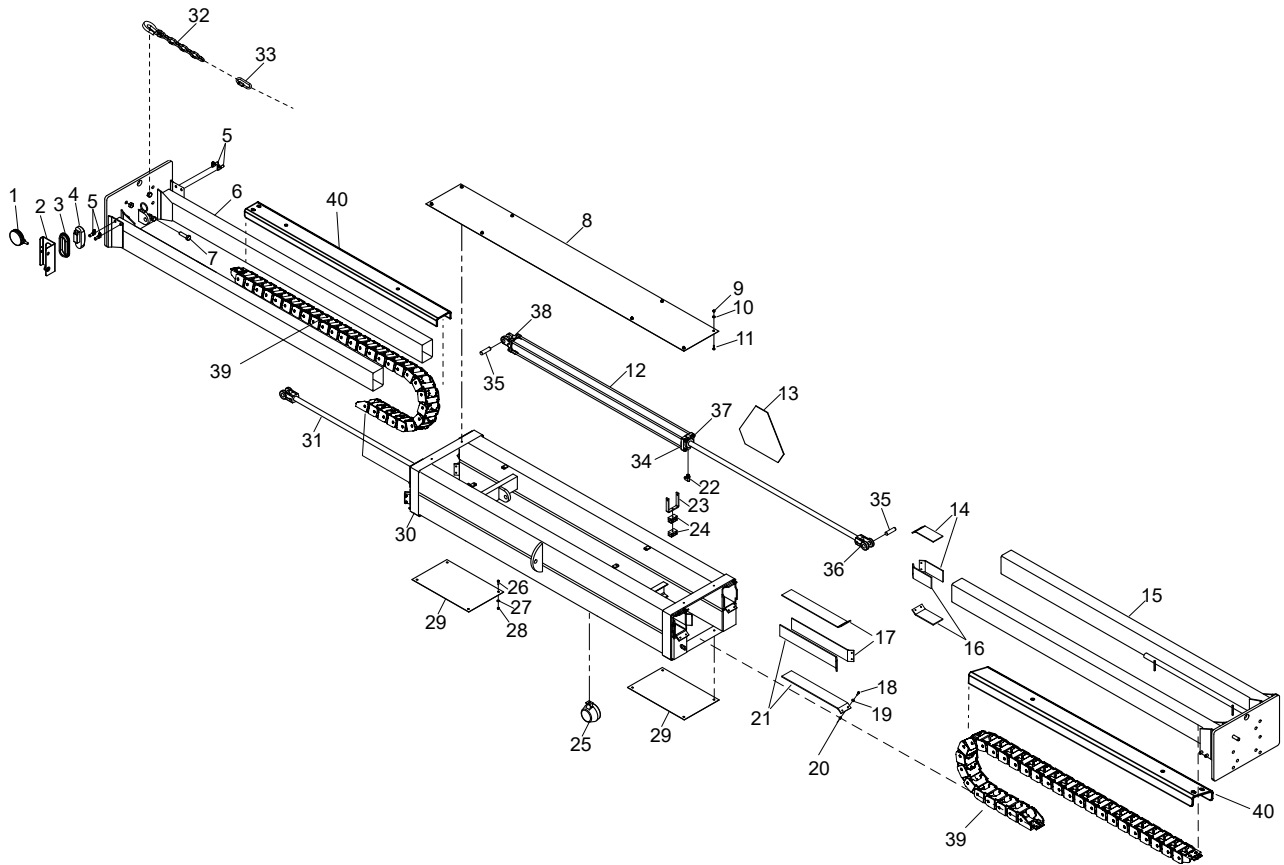
Precision Spring Option

For rakes with Serial Numbers more than 93802



Ref#	Description	Part#
1	Bolt, 3/8 x 2-1/2	000300
2	Flat Washer, 3/8	001035
3	Bushing	507341
4	Lock Nut, 3/8"	900134
5	Hairpin Cotter	507340
6	Spring Rod Weldment	507339
7	Spring Retainer	507348
8	Spring	507154
9	Plastic Bushing	507465
10	Rod Guide Weldment	507460
11a	Spring Assist Bracket, Left	507461
11b	Spring Assist Bracket, Right	507467
12	Lock Nut, 3/4"	000990

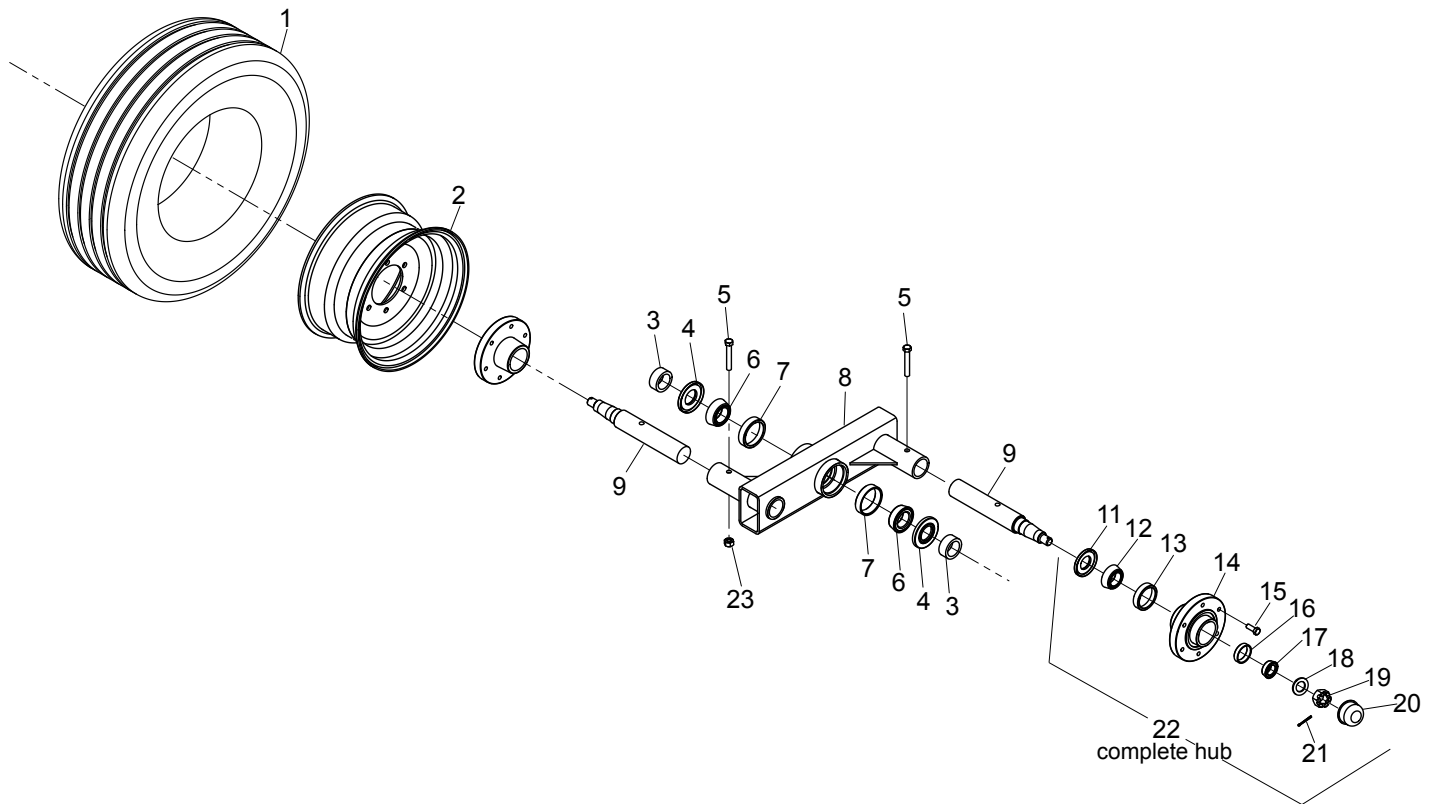
Overhead Frame Assembly



Ref#	Description	Part#
1	Round Dual-Faced Light	507164
2	Light Bracket	507163
3	Grommet	100140
4	Oval Taillight	100139
5	90 Degree Fitting, 2701-6-6	507187
6	Telescoping Boom Assembly, Right	507674
7	Bolt, 3/4 x 2-3/4	000710
8	Galvanized Sheet	507216
9	Locknut, 1/4	003001
10	Flatwasher, 1/4	001020
11	Bolt, 1/4 x 7/8	000180
12	Cylinder, 3x60	507180
13	SMV Triangle	507166
14	3/16" x 8" Plastic Shim	507021
15	Telescoping Boom Assembly, Left	507675
16	1/4 Plastic Shim (no longer offered)	USE: 507021
17	3/16 x 22" Plastic Shim	507023
18	Bolt, 1/4 x 7/8	000180
19	Flatwasher, 1/4	001020
20	Locknut, 1/4	003001

Ref#	Description	Part#
21	1/4 Plastic Shim (no longer offered)	USE: 507023
22	90 Degree Fitting, 6801-6-8	507281
23	Hose Clamp Mount	507266
24	1/4" Hose Clamp Kit	507294
25	Rear Work Light	507176
26	Bolt, 1/4 x 7/8	000180
27	Flatwasher, 1/4	001020
28	Locknut, 1/4	003001
29	Galvanized Sheet	507215
30	Overhead Main Frame Weldment	507676
31	Cylinder, 3x60	507180
32	11 Link Safety Chain 7800 lb. GVWR	101132
33	Quick Link	001095
34	Seal Kit for Overhead Cylinder	507370
35	Pin Kit for Overhead Cylinder	507371
36	Rod Clevis for Overhead Cylinder	507372
37	Rod Cap for Overhead Cylinder	507373
38	Clevis Cap for Overhead Cylinder	507374
39	Hose Carrier	507679
40	Hose Carrier Track	507660

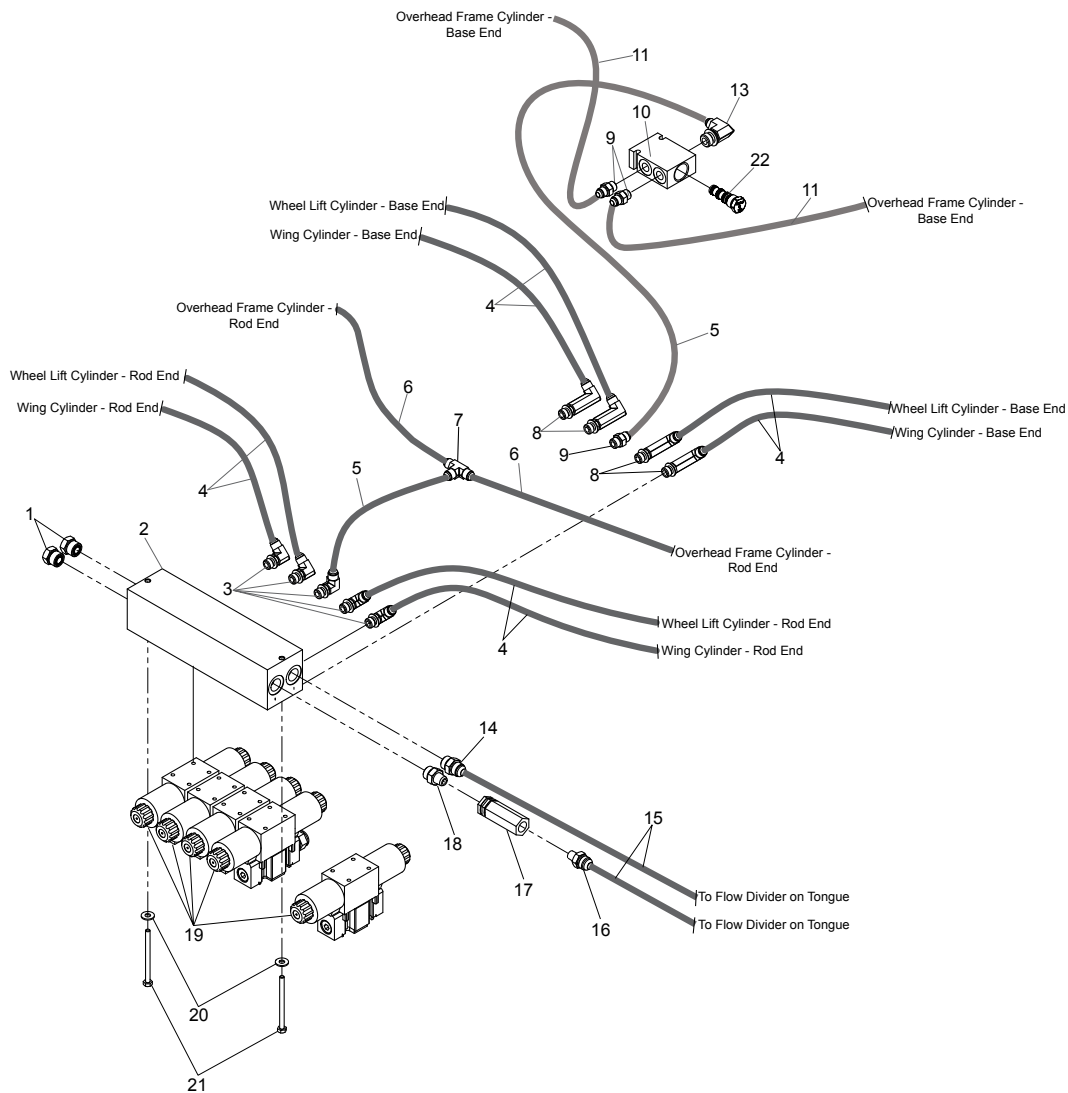
Tandem Axle Assembly



Ref#	Description	Part#
1	255/70 R15 Tire	507038
2	Wheel 15x8 6-Bolt	300285
3	Spacer	507144
4	Grease Seal	507014
5	Bolt, 1/2 x 3-1/4	000477
6	Bearing, 25580	101427
7	Race, 25520	101429
8	Walking Beam Weldment	507096
9	Spindle	507099
11	Grease Seal	300030
12	Inner Bearing, JL69349	300031

Ref#	Description	Part#
13	Inner Race, JL69310	300032
14	Hub	300033
15	1/2" Lug Bolt	300037
16	Outer Race, LM67010	300034
17	Outer Bearing, LM67048	300035
18	Spindle Washer	300283
19	Spindle Nut	300281
20	Dust Cap	300036
21	Cotter Pin, 5/32 x 1-3/4	300282
22	Hub Complete	300122
23	Locknut, 1/2	000950

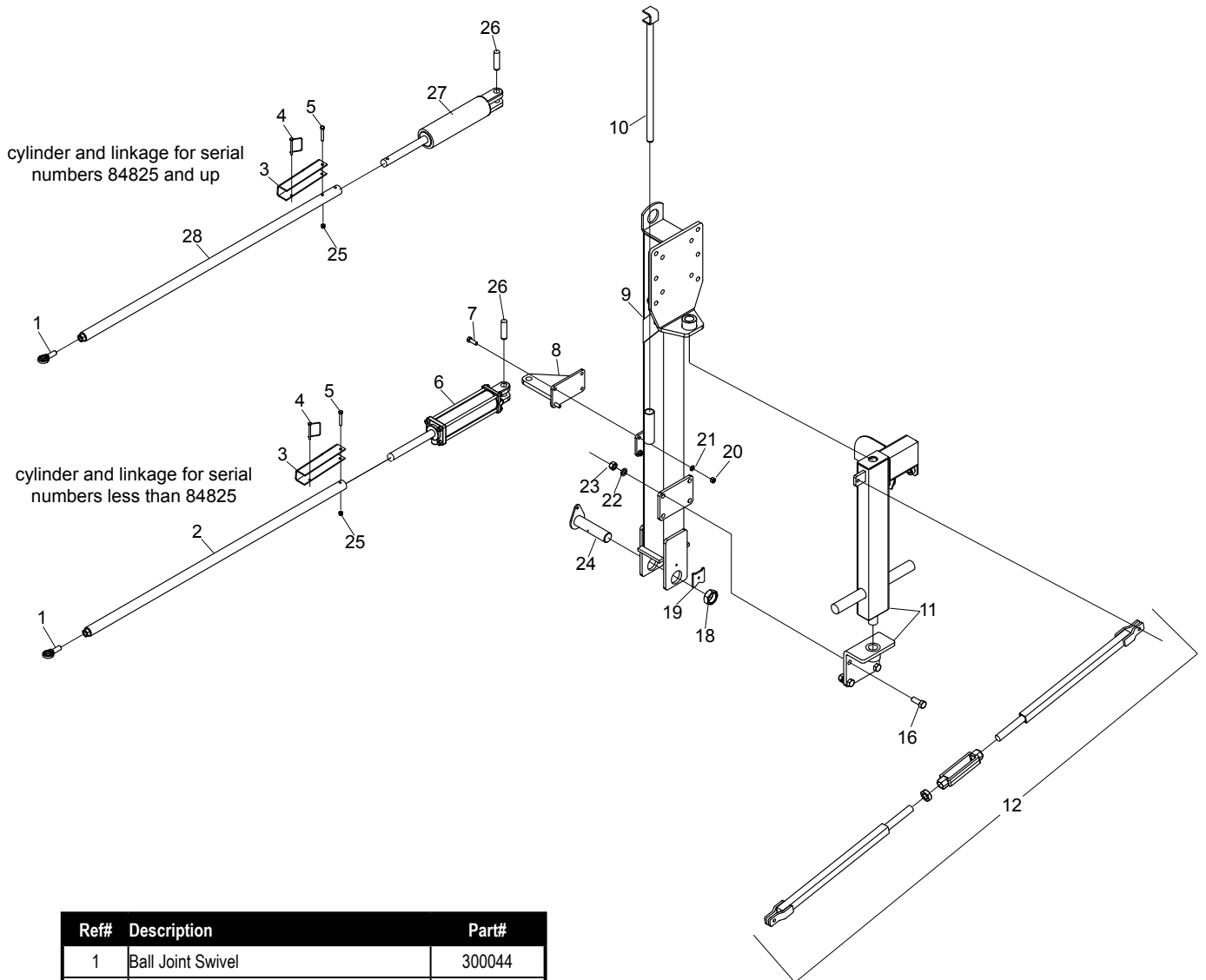
Hydraulic Components



Ref#	Description	Part#
1	Plug, 6408-8	5PQ507210
2	5 Bank Manifold	5PQ507205
3	Elbow Fitting, 6801-6-6	5PQ507287
4	132" Hose Assembly	5PQ507192
5	14" Hose Assembly	5PQ507193
6	48" Hose Assembly	5PQ507191
7	Hydraulic "T" Fitting, 2603-6	5PQ507201
8	Elbow Fitting, ADLL6801-6-6	5PQ507284
9	Straight Fitting	5PQ507283
10	Flow Divider	5PQ507334
11	20" Hose Assembly	5PQ507296

Ref#	Description	Part#
13	Elbow Fitting, 6801-6-8	5PQ507281
14	Straight Fitting, 6400-8-8	5PQ507282
15	102" Hose Assembly	5PQ507297
16	Straight Fitting, 2404-8-6	5PQ507209
17	Check Valve	5PQ507207
18	Straight Fitting, 6401-8-6	5PQ507208
19	12V DC Valve	5PQ507204
20	Flat Washer, 1/4	5PQ001020
21	Bolt, 1/4 x 3-1/2	5PQ000160
22	Flow Divider Cartridge	5PQ507457
	Open Center Hyd Option Kit	5PQ507218

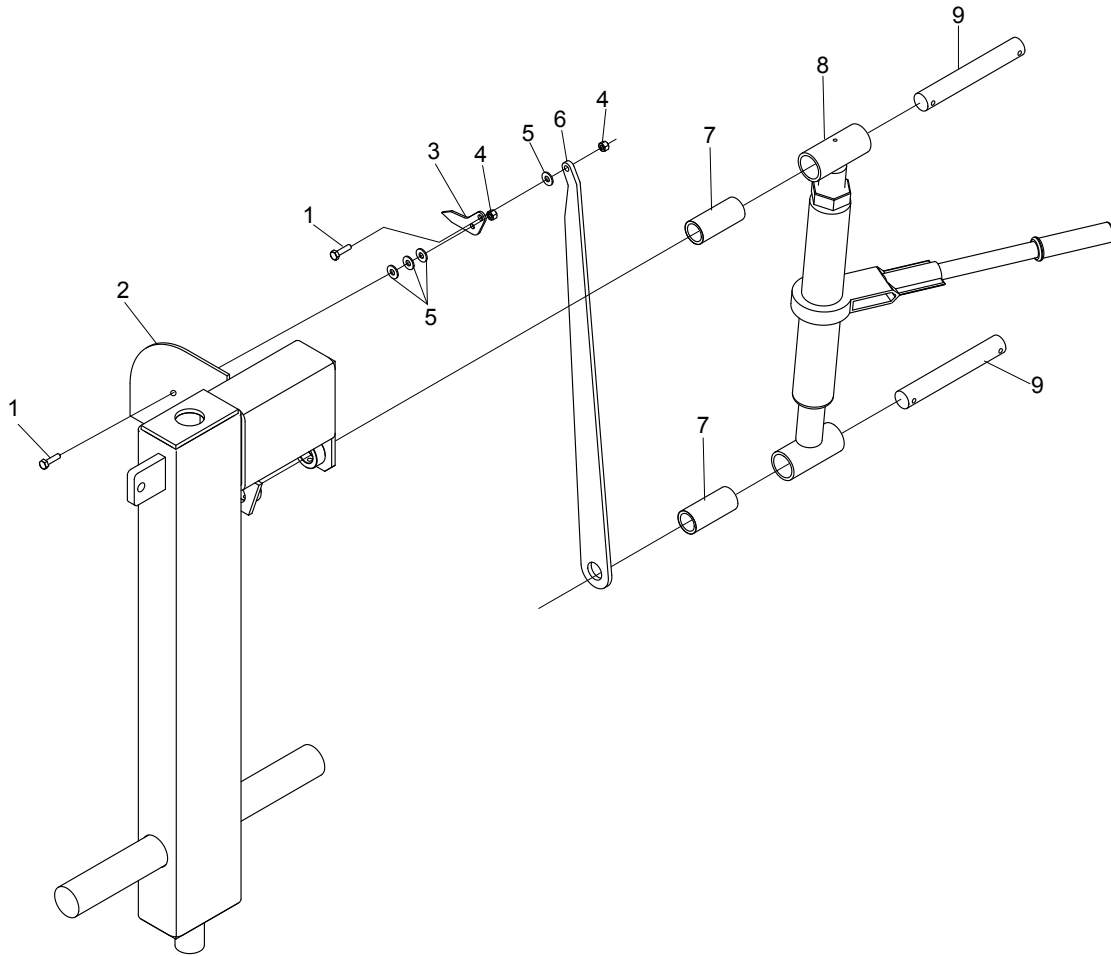
Tower Assembly



Ref#	Description	Part#
1	Ball Joint Swivel	300044
2	Cylinder Linkage	507279
3	Locking Bracket	507220
4	Snapper Pin, 1/4 x 2-1/2	507186
5	Bolt, 3/8 x 2-1/2	000300
6	Tie Rod Cylinder	507181
7	Bolt, 1/2 x 1-1/2	000435
8	Cylinder Bracket	507119
9	Tower Weld Assembly, Right	507292
*	Tower Weld Assembly, Left	507291
10	Handle	507017
11	Main Arm Swivel, Right	507236
*	Main Arm Swivel, Left	507235
12	Stabilizing Arm Assembly	507369
16	Bolt, 3/4 x 2	000760

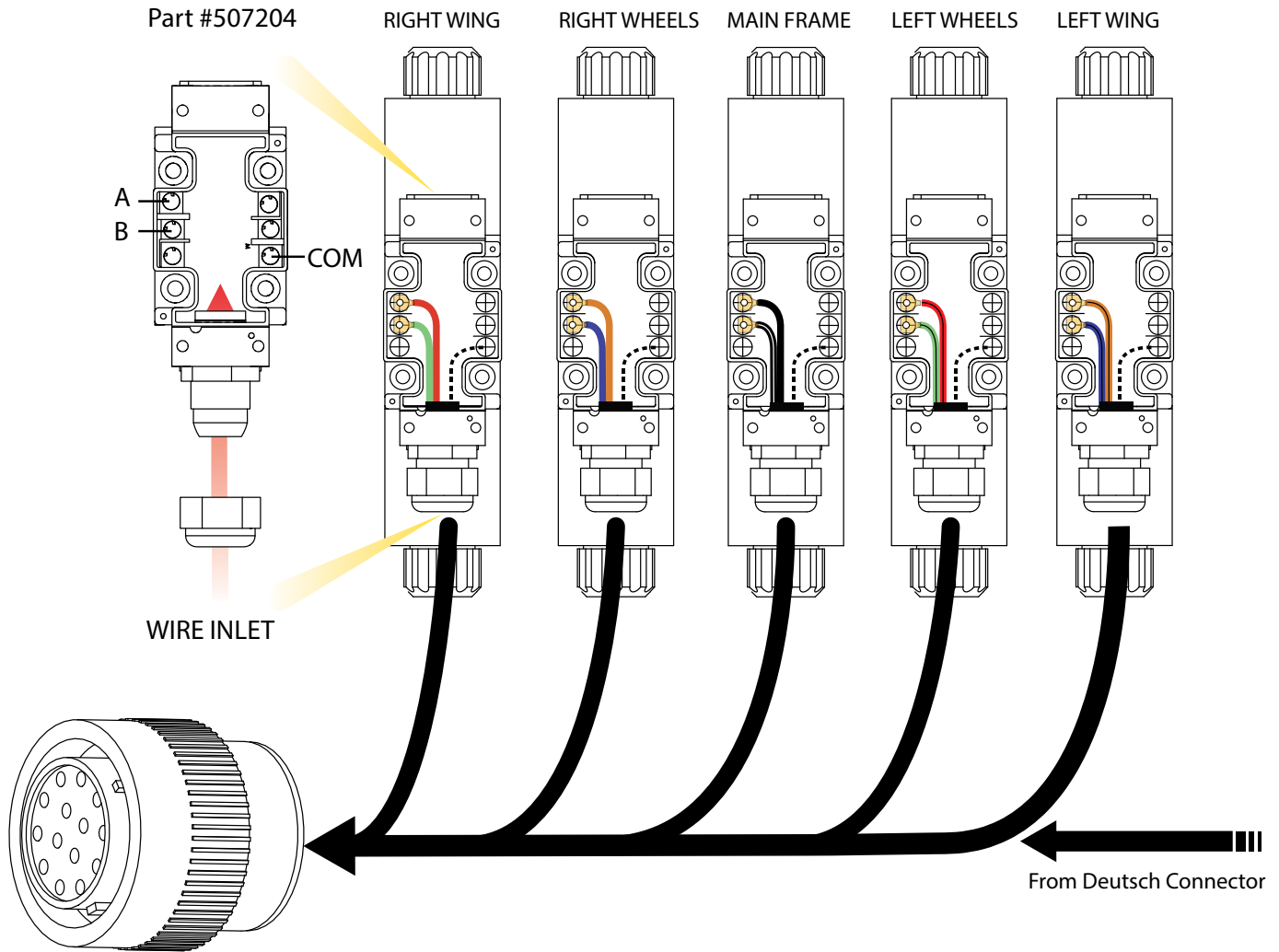
Ref#	Description	Part#
18	Jam Nut, 1-3/4	507143
19	Locking Plate	507141
20	Nut, 1/2	000940
21	Lock Washer, 1/2	000840
22	Lock Washer, 3/4	000870
23	Nut, 3/4	000975
24	Walking Beam Pin	507097
25	Locknut, 3/8	003000
26	Cylinder Pin	507273
27	Welded Cylinder	507335
28	Cylinder Linkage	507228

Quick Pitch Components

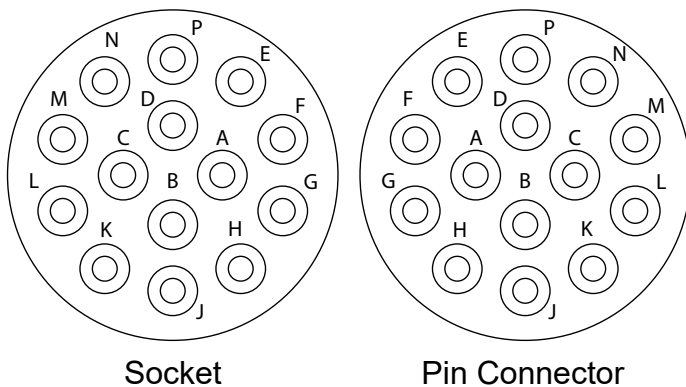


Ref#	Description	Part#
1	Bolt, 1/4 x 1	100148
2	Arm Swivel Assembly, Right	507236
*	Arm Swivel Assembly, Left	507235
3	Pitch Indicator	507234
4	Locknut, 1/4	003001
5	Flatwasher, 1/4	001020
6	Indicator Linkage S/N 800152+ (Can be installed on any WR5417, regardless of S/N)	507524
7	Bronze Bushing	500278
8	Ratchet Assembly	507230
9	Ratchet Pivot Shaft	507263

Nachi Valve and Plug Wiring

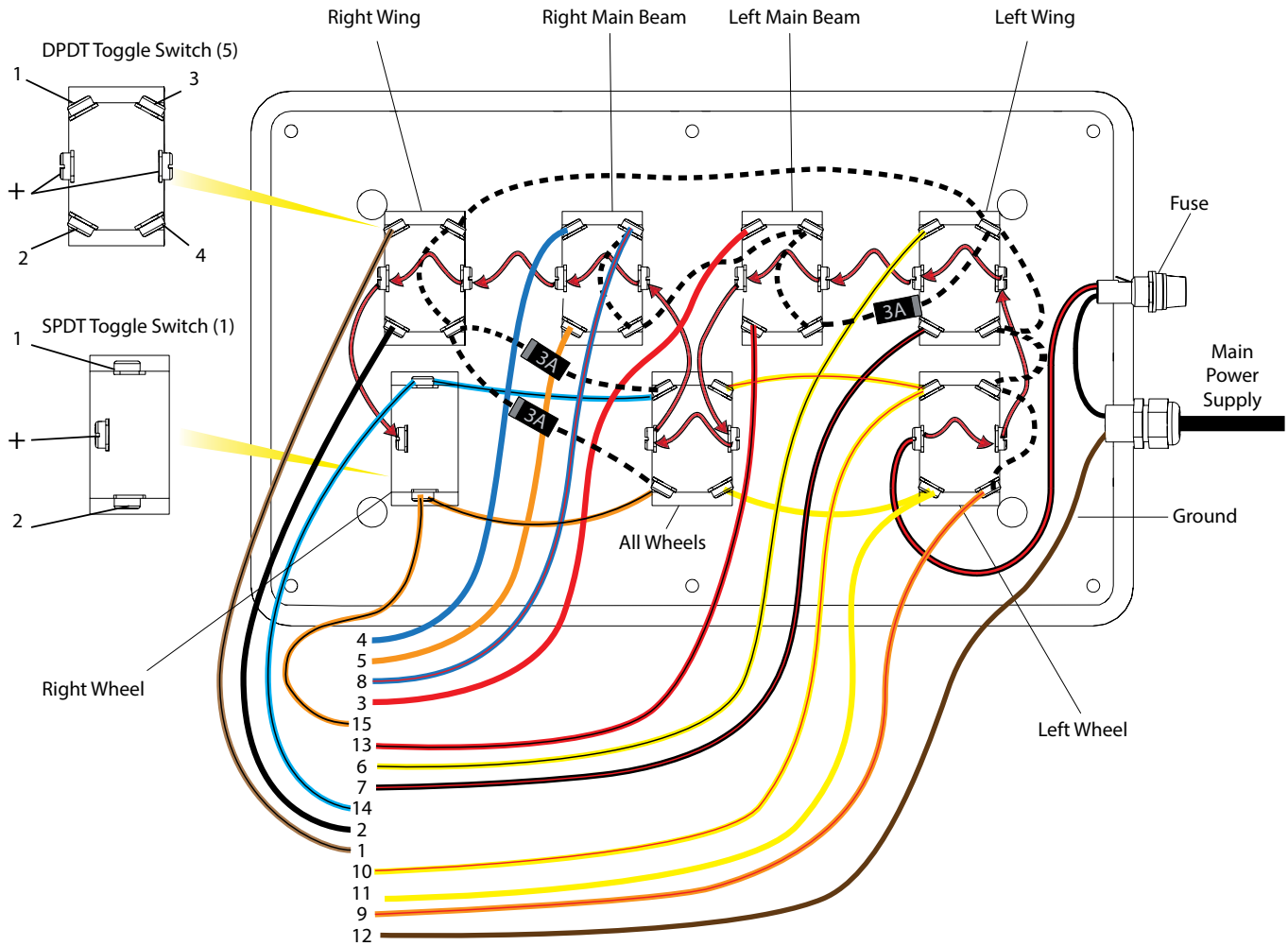


	Right Wing	Right Wheels	Main Frame	Left Wheels	Left Wing
"A" (pressure)	Red	Orange	Black	Red Striped	Orange Striped
"B" (Tank)	Green	Blue	Black Striped	Green Striped	Blue Striped
"C" (Common)	White	White	White	White	White



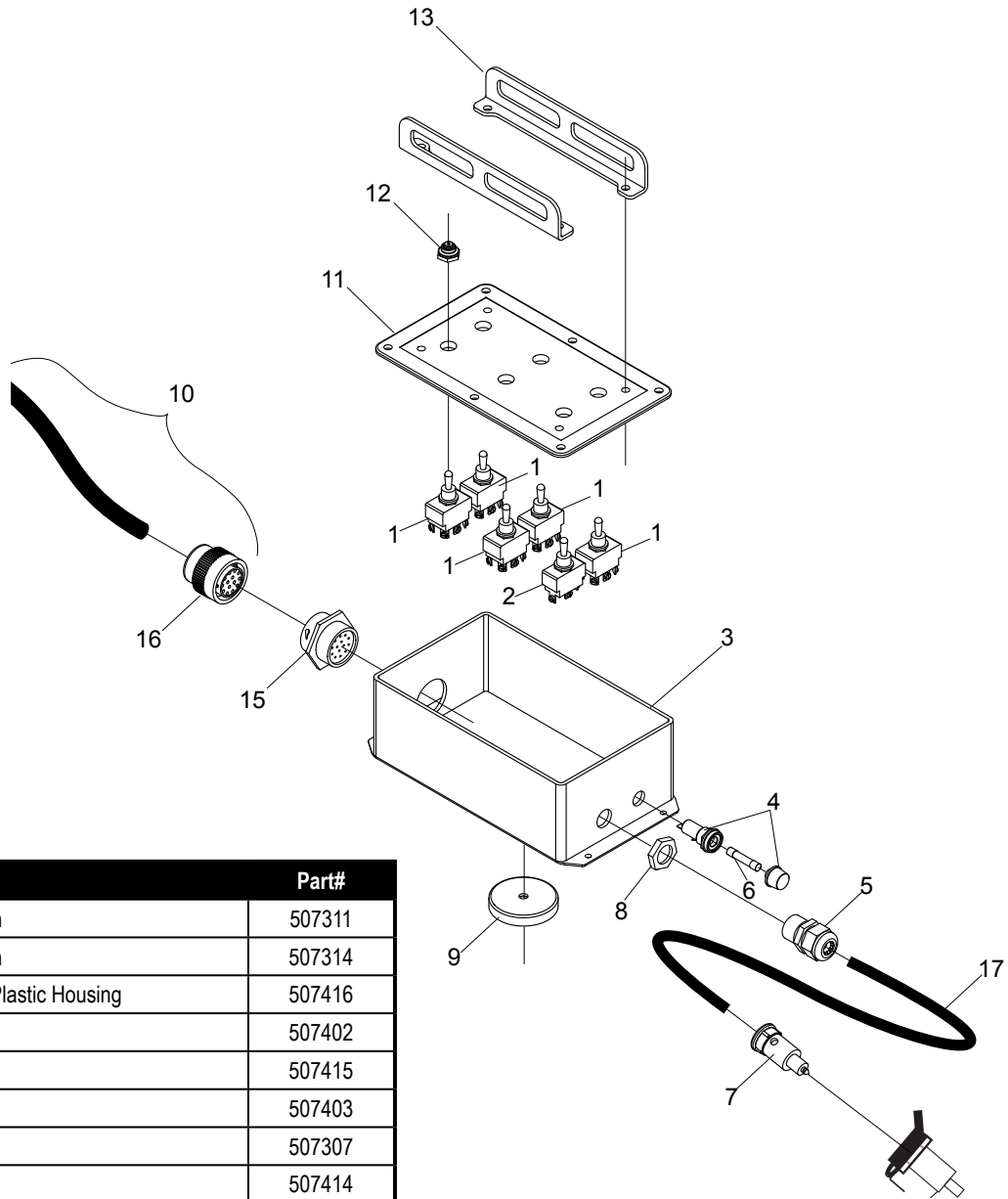
Plug Number	Color
A	White
B	Black
C	Red
D	Orange
E	Blue
F	White w/Black
G	Red w/Black
H	Green w/Black
J	orange w/Black
K	Blue w/Black
L	Black w/White
M	Green
N	NONE
P	NONE

Switch Board Wire Diagram S/N 800234+



Function	Plug #	Position	Wire Color	Cylinder Movement
LEFT WING	6	Rake	Yellow with black stripe	Retract
	7	Transport	Black with red stripe	Extend
MAIN FRAME LEFT	3	Rake	Red	Extend
	13	Transport	Red with black stripe	Retract
MAIN FRAME RIGHT	4	Rake	Blue	Extend
	5	Transport	Orange	Retract
RIGHT WING	1	Rake	Brown/Black	Retract
	2	Transport	Black	Extend
LEFT WHEELS	10	Rake	Yellow with Red Stripe	Extend
	11	Transport	Yellow	Retract
ALL WHEELS	14&10	Rake	Blue with black stripe & yellow with red stripe	Extend
	15&11	Transport	Yellow & Orange with black stripe	Retract
RIGHT WHEELS	14	Rake	Blue with Black stripe	Extend
	15	Transport	Orange with black stripe	Retract
GROUND	12	N/A	Brown	N/A

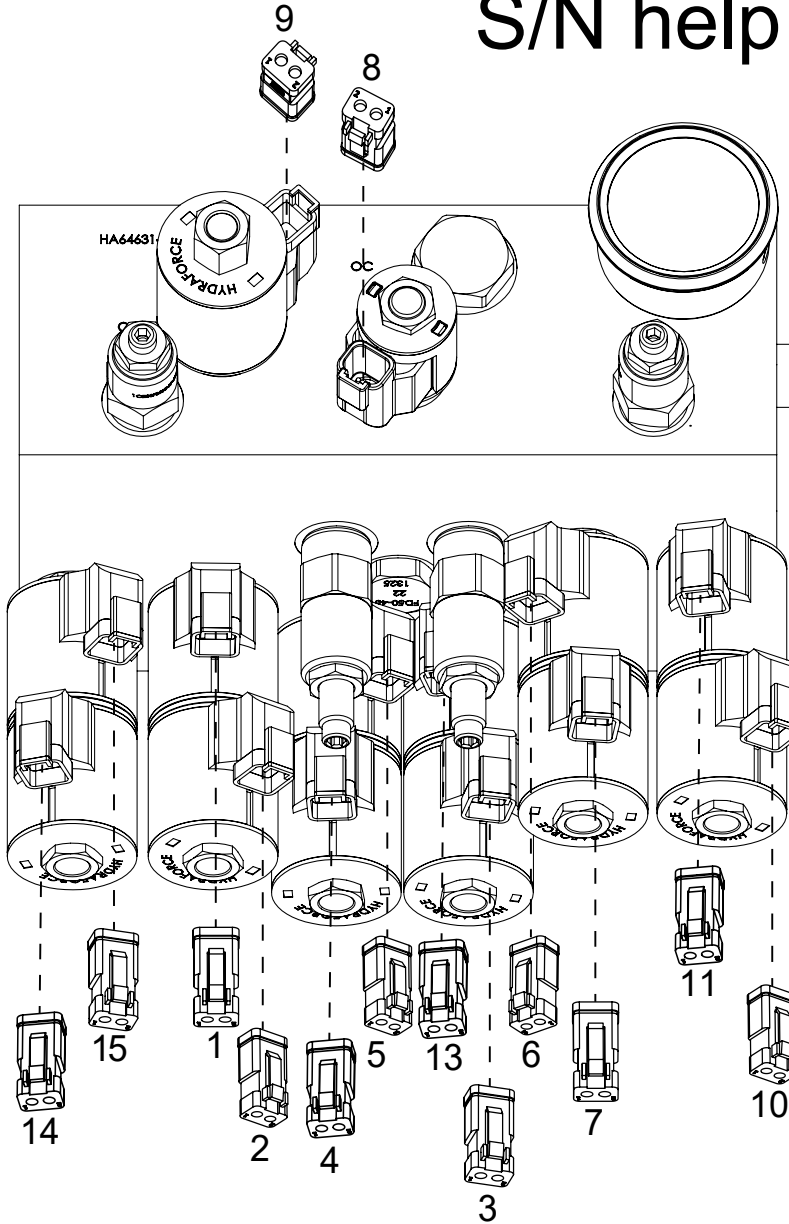
Control Box



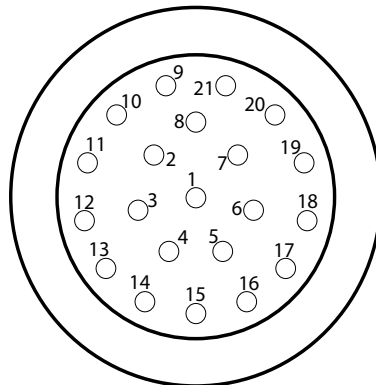
Ref#	Description	Part#
1	Toggle Switch	507311
2	Toggle Switch	507314
3	Control Box Plastic Housing	507416
4	Fuse Holder	507402
5	Cord Grip	507415
6	10 Amp Fuse	507403
7	Plug	507307
8	Locking Nut	507414
9	Magnet	800450
10	Complete Wiring Harness	507401
11	Control Box Lid	507406
12	Toggle Switch Half Boot	507413
13	Switch Guard	507408
14	European Female Plug	507324
15	14 Pin Receptacle	507417
16	Plastic Plug	507445
17	Cable (Specify length upon order)	290168
	Complete Control Box	507400

Solenoid Valve and Plug Wiring

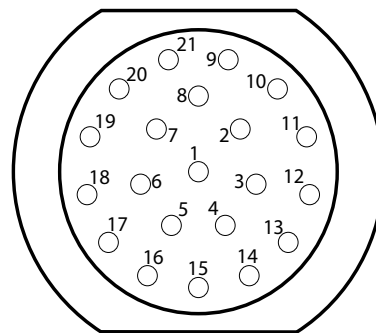
S/N help



Plug #	Color
1	Brown/Black
2	Black
3	Red
4	Blue
5	Orange
6	Yellow/Black
7	Black/Red
8	Blue/Red
9	Orange/Red
10	Yellow/Red
11	Yellow
12	Brown
13	Red/Black
14	Blue/Black
15	Orange/Black
16	Not Used
17	
18	
19	
20	
21	



1619 Deutsch
HDP26-18-21SN



1625 Deutsch
HDP24-18-21PN